

DAIKIN



INSTALLATION MANUAL

Indoor unit for air to water heat pump system

Installation manual
Indoor unit for air to water heat pump system

English

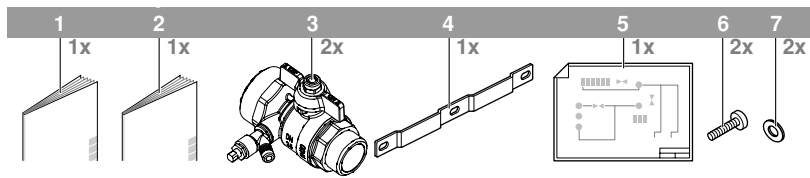
Manuel d'installation
Unité intérieure pour système de pompe à chaleur air-eau

Français

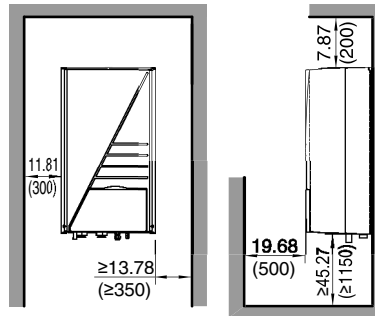
Manual de instalación
Unidad interior para bomba de calor de aire-agua

Español

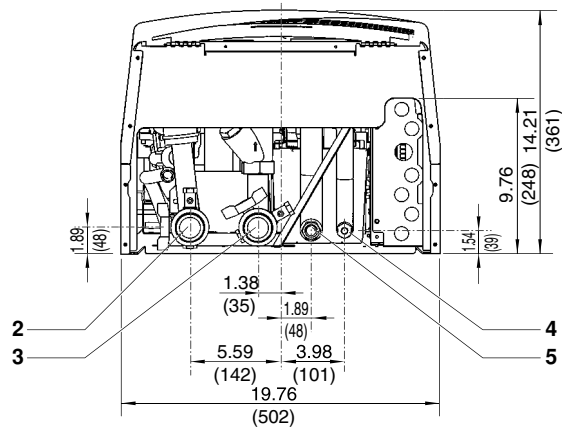
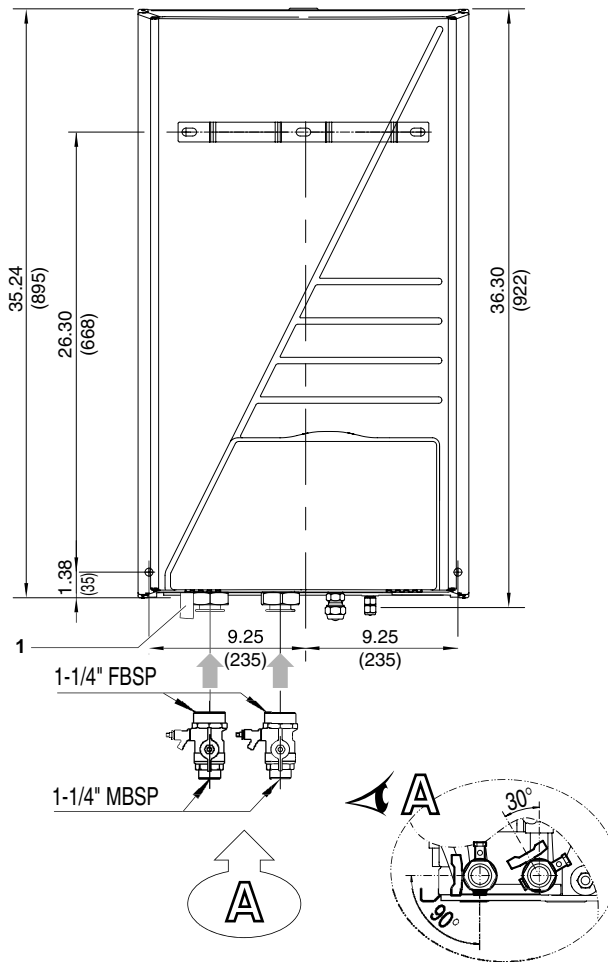
EKHBH054BA
EKHBX054BA



1



2



3

CONTENTS

	Page
Introduction.....	1
General information	1
Scope of this manual	2
Model identification	2
Accessories	2
Accessories supplied with the indoor unit	2
Safety considerations	3
Typical application examples	4
Application 1	4
Application 2	4
Application 3	5
Application 4	5
Application 5	6
Application 6	8
Overview of the indoor unit.....	9
Opening the indoor unit.....	9
Main components.....	10
Switch box main components	11
Functional diagram	12
Installation of the indoor unit.....	12
Selecting an installation location.....	12
Dimensions and service space	13
Inspecting, handling and unpacking the unit	13
Mounting the indoor unit	13
Installation of the EKHB DP drain pan kit (only for EKHBX models).....	13
Refrigerant pipework.....	14
Water pipework	14
Charging water.....	16
Piping insulation.....	16
Field wiring.....	16
Start-up and configuration	22
DIP switch settings overview.....	22
Room thermostat installation configuration.....	22
Pump operation configuration	23
Domestic hot water tank installation configuration.....	23
Initial start-up at low outdoor ambient temperatures.....	23
Pre-operation checks	23
Powering up the indoor unit	24
Setting the pump speed	24
Field settings.....	25
Field settings table	35
Test run and final check.....	38
Final check.....	38
Automatic test run.....	38
Test run operation (manual).....	38
Maintenance and service	38
Troubleshooting	39
General guidelines	39
General symptoms.....	40
Error codes	41
Technical specifications	43
General	43
Electrical specifications.....	43



READ THESE INSTRUCTIONS CAREFULLY BEFORE INSTALLATION. KEEP THIS MANUAL IN A HANDY PLACE FOR FUTURE REFERENCE.

IMPROPER INSTALLATION OR ATTACHMENT OF EQUIPMENT OR ACCESSORIES COULD RESULT IN ELECTRIC SHOCK, SHORT-CIRCUIT, LEAKS, FIRE OR OTHER DAMAGE TO THE EQUIPMENT. BE SURE ONLY TO USE ACCESSORIES MADE BY DAIKIN WHICH ARE SPECIFICALLY DESIGNED FOR USE WITH THE EQUIPMENT AND HAVE THEM INSTALLED BY A PROFESSIONAL.

ALL ACTIVITIES DESCRIBED IN THIS MANUAL SHALL BE CARRIED OUT BY A LICENSED TECHNICIAN.

BE SURE TO WEAR ADEQUATE PERSONEL PROTECTION EQUIPMENT (PROTECTION GLOVES, SAFETY GLASSES, ...) WHEN PERFORMING INSTALLATION, MAINTENANCE OR SERVICE TO THE UNIT.

IF UNSURE OF INSTALLATION PROCEDURES OR USE, ALWAYS CONTACT YOUR DAIKIN DEALER FOR ADVICE AND INFORMATION.

THE UNIT DESCRIBED IN THIS MANUAL IS DESIGNED FOR INDOOR INSTALLATION ONLY AND FOR AMBIENT TEMPERATURES RANGING 39°F~95°F (4°C~35°C).

The English text is the original instruction. Other languages are translations of the original instructions.

INTRODUCTION

General information

The unit is the indoor part of the air to water ERLQ heat pumps. These units are designed for wall mounted indoor installation. See "Selecting an installation location" on page 12. The units can be combined with Daikin fan coil units, floor heating applications, low temperature radiators, Daikin domestic water heating applications and solar kit for domestic hot water applications.

Heating/cooling units and heating only units

The unit range consists of two main versions: a heating/cooling (EKHBX) version and a heating only (EKHBH) version.

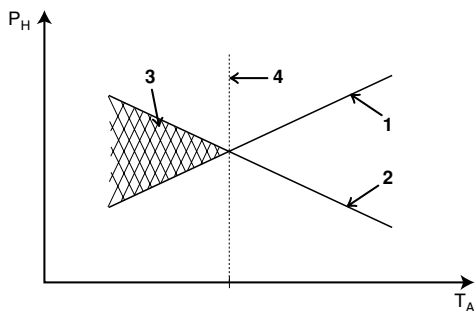
Both versions are delivered with an integrated backup heater for additional heating capacity during cold outdoor temperatures. The backup heater also serves as a backup in case of malfunctioning of the outdoor unit. The backup heater models are available for a heating capacity of 3 and 6 kW depending on the heating capacity.

Indoor unit model	Backup heater capacity	Backup heater nominal voltage
EKHB*054BA3VJU	3 kW	1x 230 V
EKHB*054BA6VJU	6 kW	1x 230 V

NOTE



An ERLQ0*BA outdoor unit can only be connected to an EKHBH/X054BA indoor unit (bottom plate heater at outdoor unit has to be controlled by indoor unit).



- 1 Heat pump capacity
- 2 Required heating capacity (site dependent)
- 3 Additional heating capacity provided by the backup heater
- 4 Equilibrium temperature (can be set through the user interface, refer to "Field settings" on page 25)

T_A Ambient (outdoor) temperature
 P_H Heating capacity

Domestic hot water tank (option)

An optional EKHW* domestic hot water tank with integrated 3 kW electrical booster heater can be connected to the indoor unit. The domestic hot water tank is available in two sizes: 50 and 80 gallons (200 and 300 litre). Refer to the domestic hot water tank installation manual for further details.

Drain pan kit (option)

For heating/cooling versions (EKHBX), it is necessary to install the EKHB DP drain pan kit.

For more information concerning the drain pan kit, refer to "Installation of the EKHB DP drain pan kit (only for EKHBX models)" on page 13.

Solar kit for domestic hot water tank (option)

For information concerning the EKSOLHW solar kit, refer to the installation manual of that kit.

Digital I/O PCB kit (option)

An optional EKRP1HB digital I/O PCB can be connected to the indoor unit and allows:

- remote alarm output
- heating/cooling ON/OFF output
- bivalent operation (permission signal for the auxiliary boiler)

Refer to the operation manual of the indoor unit and to the installation manual of the digital I/O PCB for more information.

Refer to the wiring diagram or connection diagram for connecting this PCB to the unit.

Remote thermostat kit (option)

An optional room thermostat EKRTWA can be connected to the indoor unit. Refer to the installation manual of the room thermostat for more information.

Connection to a benefit kWh rate power supply

This equipment allows for connection to benefit kWh rate power supply delivery systems. Full control of the unit will remain possible only in case the benefit kWh rate power supply is of the type that power supply is not interrupted. Refer to "Connection to a benefit kWh rate power supply" on page 19 for more details.

Scope of this manual

This installation manual describes the procedures for handling, installing and connecting all EKHBH/X indoor unit models.

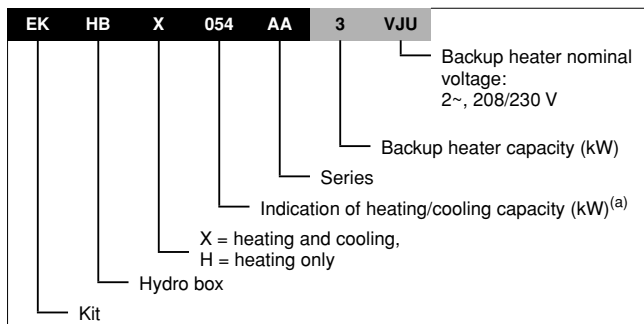


Installation of the ERLQ heat pump outdoor unit is described in the outdoor unit installation manual.

Operation of the indoor unit is described in the indoor unit operation manual.

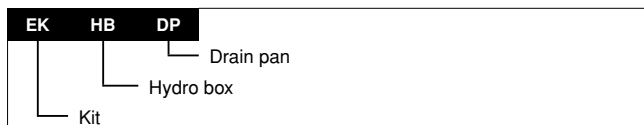
Model identification

Indoor unit



(a) For exact values, refer to "Technical specifications" on page 43.

Drain pan kit (optional)



ACCESSORIES

Accessories supplied with the indoor unit

See figure 1

- 1 Installation manual
- 2 Operation manual
- 3 Shut-off valve
- 4 Wiring diagram sticker (inside indoor unit cover)
- 5 Indoor unit cover fixing screw
- 6 Wall mounting bracket
- 7 Nylon washer

SAFETY CONSIDERATIONS

The precautions listed here are divided into the following four types. They all cover very important topics, so be sure to follow them carefully.

Meanings of **DANGER**, **WARNING**, **CAUTION** and **NOTE** symbols.



DANGER

Indicates an imminently hazardous situation which, if not avoided, will result in death or serious injury.

WARNING

Indicates a potentially hazardous situation which, if not avoided, could result in death or serious injury.

CAUTION

Indicates a potentially hazardous situation which, if not avoided, may result in minor or moderate injury. It may also be used to alert against unsafe practices.

NOTE

Indicates situations that may result in equipment or property-damage accidents only.


Danger

- Before touching electric terminal parts, turn off power switch.
- When service panels are removed, live parts can be easily touched by accident.
Never leave the unit unattended during installation or servicing when the service panel is removed.
- Do not touch water pipes during and immediately after operation as the pipes may be hot. Your hand may suffer burns. To avoid injury, give the piping time to return to normal temperature or be sure to wear proper gloves.
- Do not touch any switch with wet fingers. Touching a switch with wet fingers can cause electrical shock.
- Before touching electrical parts, turn off all applicable power supply.

Warning

- Tear apart and throw away plastic packaging bags so that children will not play with them.
Children playing with plastic bags face danger of death by suffocation.
- Safely dispose of packing materials. Packing materials, such as nails and other metal or wooden parts, may cause stabs or other injuries.
- Never directly touch any accidental leaking refrigerant. This could result in severe wounds caused by frostbite.
- Do not touch the refrigerant pipes during and immediately after operation as the refrigerant pipes may be hot or cold, depending on the condition of the refrigerant flowing through the refrigerant piping, compressor, and other refrigerant cycle parts. Your hands may suffer burns or frostbite if you touch the refrigerant pipes. To avoid injury, give the pipes time to return to normal temperature or, if you must touch them, be sure to wear proper gloves.
- Do not touch the internal parts (pump, backup heater, etc.) during and immediately after operation.
Your hands may suffer burns if you touch the internal parts. To avoid injury, give the internal parts time to return to normal temperature or, if you must touch them, be sure to wear proper gloves.

Caution

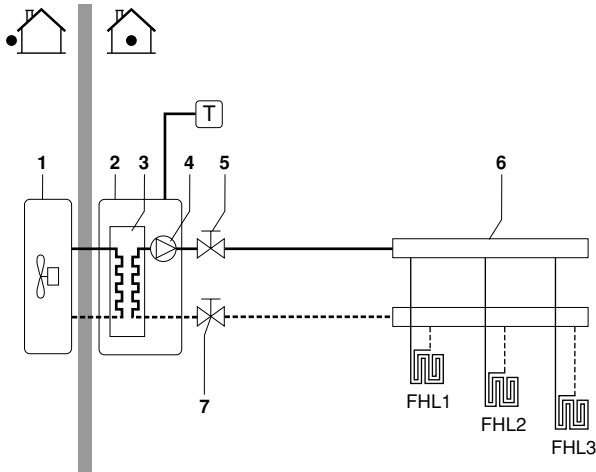
- Ground the unit.
Grounding resistance should be according to local laws and regulations.
Do not connect the ground wire to gas or water pipes, lightning conductor or telephone ground wire.
Incomplete grounding may cause electric shocks. 
- Gas pipe.
Ignition or explosion may occur if the gas leaks.
- Water pipe.
Hard vinyl tubes are not effective grounds.
- Lightning conductor or telephone ground wire.
Electric potential may rise abnormally if struck by a lightning bolt.
- Install the power wire at least 3.28 ft (1 meter) away from televisions or radios to prevent image interference or noise.
(Depending on the radio waves, a distance of 3.28 ft (1 meter) may not be sufficient to eliminate the noise.)
- Do not rinse the unit. This may cause electric shocks or fire.
- Do not install the unit in places such as the following:
 - Where there is mist of mineral oil, oil spray or vapour.
Plastic parts may deteriorate, and cause them to fall out or water to leak.
 - Where corrosive gas, such as sulphurous acid gas, is produced.
Corrosion of copper pipes or soldered parts may cause the refrigerant to leak.
 - Where there is machinery which emits electromagnetic waves.
Electromagnetic waves may disturb the control system, and cause malfunction of the equipment.
 - Where flammable gases may leak, where carbon fibre or ignitable dust is suspended in the air or where volatile flammables, such as thinner or gasoline, are handled.
Such gases may cause a fire.
 - Where the air contains high levels of salt.
 - Where voltage fluctuates a lot, such as that in factories.
 - In vehicles or vessels.
 - Where acidic or alkaline vapour is present.

TYPICAL APPLICATION EXAMPLES

The application examples given below are for illustration purposes only.

Application 1

Space heating only application with the room thermostat connected to the indoor unit.



1	Outdoor unit	6	Collector (field supply)
2	Indoor unit	7	Shut-off valve
3	Heat exchanger	FHL1..3	Floor heating loop
4	Pump	T	Room thermostat (optional)
5	Shut-off valve		

Pump operation and space heating

When the room thermostat (T) is connected to the indoor unit, the pump (4) will operate when there is a heating request from the room thermostat, and the outdoor unit will start operating to achieve the target leaving water temperature as set on the user interface.

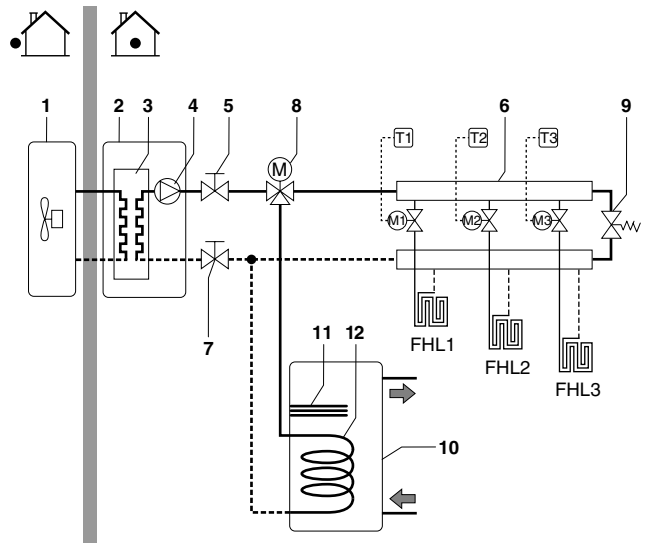
When the room temperature is above the thermostat set point, the outdoor unit and pump will stop operating.



Make sure to connect the thermostat wires to the correct terminals (see "Connection of the thermostat cable" on page 18) and to configure the DIP switch toggle switches correctly (see "Room thermostat installation configuration" on page 22).

Application 2

Space heating only application without room thermostat connected to the indoor unit. The temperature in each room is controlled by a valve on each water circuit. Domestic hot water is provided through the domestic hot water tank which is connected to the indoor unit.



1	Outdoor unit	9	By-pass valve (field supply)
2	Indoor unit	10	Domestic hot water tank (optional)
3	Heat exchanger	11	Booster heater
4	Pump	12	Heat exchanger coil
5	Shut-off valve	FHL1..3	Floor heating loop
6	Collector (field supply)	T1..3	Individual room thermostat (optional)
7	Shut-off valve	M1..3	Individual motorised valve to control loop FHL1 (field supply)
8	Motorised 3-way valve (delivered with domestic hot water tank)		

Pump operation

With no thermostat connected to the indoor unit (2), the pump (4) can be configured to operate either as long as the indoor unit is on, or until the required water temperature is reached.



Details on pump configuration can be found under "Pump operation configuration" on page 23.

Space heating

The outdoor unit (1) will operate to achieve the target leaving water temperature as set on the user interface.



When circulation in each space heating loop (FHL1..3) is controlled by remotely controlled valves (M1..3), it is important to provide a by-pass valve (9) to avoid the flow switch safety device from being activated.

The by-pass valve should be selected as such that at all time the minimum water flow as mentioned under "Water pipework" on page 14 is guaranteed.

It is recommended to select a pressure difference controlled by-pass valve.

Domestic water heating

When domestic water heating mode is enabled (either manually by the user, or automatically through a schedule timer) the target domestic hot water temperature will be achieved by a combination of the heat exchanger coil and the electrical booster heater.

When the domestic hot water temperature is below the user configured set point, the 3-way valve will be activated to heat the domestic hot water by means of the heat pump. In case of large domestic hot water demand or a high domestic hot water temperature setting, the booster heater (11) can provide auxiliary heating.

NOTE



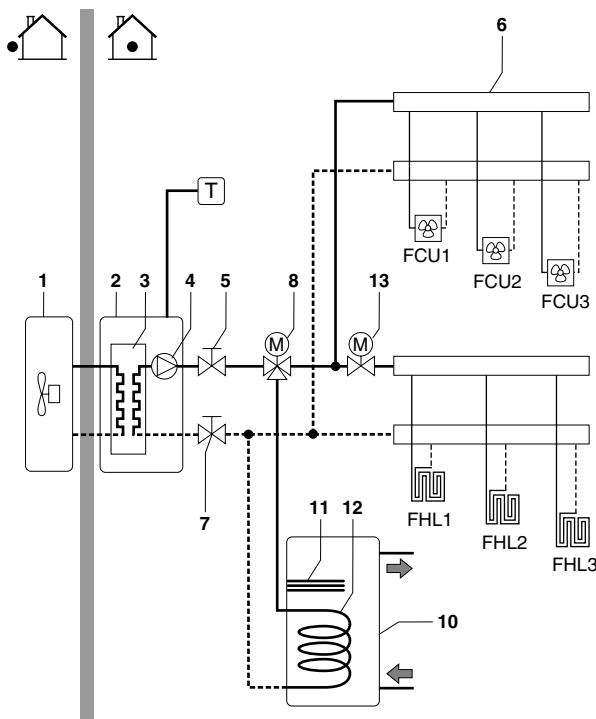
The indoor unit can be configured so that at low outdoor temperatures the domestic hot water is exclusively heated by the booster heater. This assures that the full capacity of the heat pump is available for space heating.

Details on domestic hot water tank configuration for low outdoor temperatures can be found under "Field settings" on page 25, field settings [5-02] to [5-04].

Application 3

Space cooling and heating application with the **room thermostat set for heating/cooling** connected to the indoor unit. Heating is provided through floor heating loops and fan coil units. Cooling is provided through the fan coil units only.

Domestic hot water is provided through the domestic hot water tank which is connected to the indoor unit.



- | | | | |
|---|--|---------|--|
| 1 | Outdoor unit | 10 | Domestic hot water tank (optional) |
| 2 | Indoor unit | 11 | Booster heater |
| 3 | Heat exchanger | 12 | Heat exchanger coil |
| 4 | Pump | 13 | Motorised 2-way valve (field supply) |
| 5 | Shut-off valve | FCU1..3 | Fan coil unit (optional) |
| 6 | Collector (field supply) | FHL1..3 | Floor heating loop |
| 7 | Shut-off valve | T | Room thermostat with heating/cooling switch (optional) |
| 8 | Motorised 3-way valve (delivered with domestic hot water tank) | | |

Pump operation and space heating and cooling

According to the season, the customer will select cooling or heating on the room thermostat (T). This selection is not possible by operating the user interface.

When space heating/cooling is requested by the room thermostat (T), the pump will start operating and the indoor unit (2) will switch to "heating mode"/"cooling mode". The outdoor unit (1) will start operating to achieve the target leaving hot/cold water temperature.

In case of cooling mode, the 2-way valve (13) will close as to prevent cold water running through the floor heating loops (FHL).

NOTE



Make sure to connect the thermostat wires to the correct terminals (see "Connection of the thermostat cable" on page 18) and to configure the DIP switch toggle switches correctly (see "Room thermostat installation configuration" on page 22).

NOTE



Wiring of the 2-way valve (13) is different for a NC (normal closed) valve and a NO (normal open) valve! Make sure to connect to the correct terminal numbers as detailed on the wiring diagram.

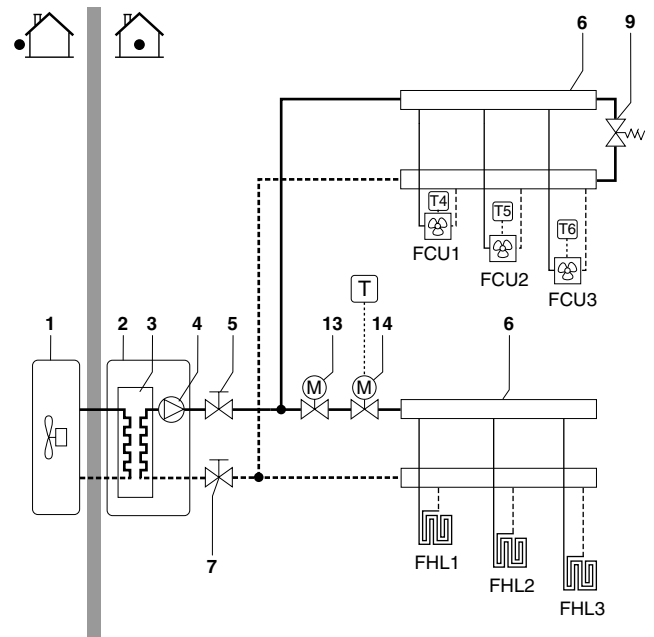
The ON/OFF setting of the heating/cooling operation is done by the room thermostat and cannot be done by the user interface on the indoor unit.

Domestic water heating

Domestic water heating is as described under "Application 2" on page 4.

Application 4

Space cooling and heating application **without the room thermostat connected to the indoor unit**, but with the heating only room thermostat (set heating only) controlling the floor heating and the heating/cooling thermostat (set heating/cooling) controlling the fan coil units. Heating is provided through floor heating loops and fan coil units. Cooling is provided through the fan coil units only.



1	Outdoor unit	14	Motorised 2-way valve for activation of the room thermostat (field supply)
2	Indoor unit		
3	Heat exchanger		
4	Pump	FCU1..3	Fan coil unit with thermostat (optional)
5	Shut-off valve		
6	Collector (field supply)	FHL1..3	Floor heating loop
7	Shut-off valve	T	Heating only room thermostat (optional)
9	By-pass valve (field supply)		
13	Motorised 2-way valve to shut off the floor heating loops during cooling operation (field supply)	T4..6	Individual room thermostat for fan coil heated/cooled room (optional)

Pump operation

With no thermostat connected to the indoor unit (2), the pump (4) can be configured to operate either as long as the indoor unit is on, or until the required water temperature is reached.

NOTE Details on pump configuration can be found under "Pump operation configuration" on page 23.

Space heating and cooling

According to the season, the customer will select heating or cooling through the user interface on the indoor unit.

The outdoor unit (1) will operate in heating mode or cooling mode to achieve the target leaving water temperature.

With the unit in heating mode, the 2-way valve (13) is open. Hot water is provided to both the fan coil units and the floor heating loops.

With the unit in cooling mode, the 2-way valve (13) is closed to prevent cold water running through the floor heating loops (FHL).

! When closing several loops in the system by remotely controlled valves, it might be required to install a by-pass valve (9) to avoid the flow switch safety device from being activated. See also "Application 2" on page 4.

! Wiring of the 2-way valve (13) is different for a NC (normal closed) valve and a NO (normal open) valve! Make sure to connect to the correct terminal numbers as detailed on the wiring diagram.

The ON/OFF setting of the heating/cooling operation is done by the user interface on the indoor unit.

Application 5

Space heating with an auxiliary boiler (alternating operation)

Space heating application by either the Daikin indoor unit or by an auxiliary boiler connected in the system. The decision whether either the EKHB* indoor unit or the boiler will operate can be achieved by an auxiliary contact or an EKHB* indoor controlled contact.

The auxiliary contact can e.g. be an outdoor temperature thermostat, an electricity tariff contact, a manually operated contact, etc. See "Field wiring configuration A" on page 7.

The EKHB* indoor unit controlled contact (also called 'permission signal for the auxiliary boiler') is determined by the outdoor temperature (thermistor located at the outdoor unit). See "Field wiring configuration B" on page 7.

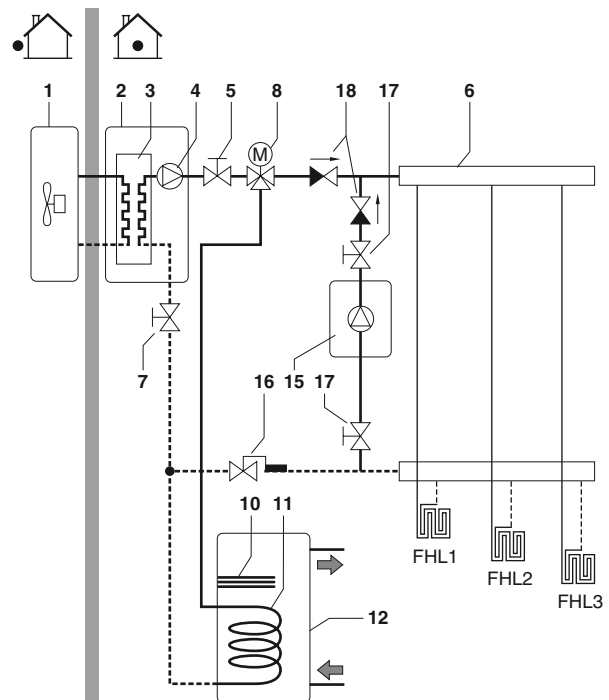
Bivalent operation is only possible for space heating operation, **not** for the domestic water heating operation. Domestic hot water in such an application is always provided by the domestic hot water tank which is connected to the Daikin indoor unit.

The auxiliary boiler must be integrated in the piping work and in the field wiring according to the illustrations below.



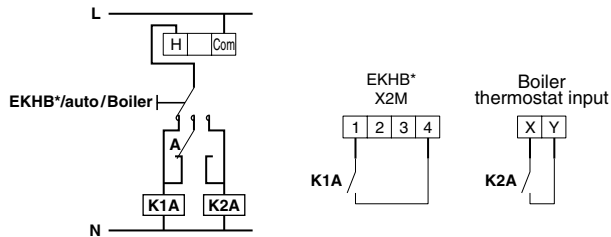
CAUTION

- Be sure that the boiler and the integration of the boiler in the system is in accordance with relevant local laws and regulations.
- Daikin can not be put responsible for incorrect or unsafe situations in the boiler system.



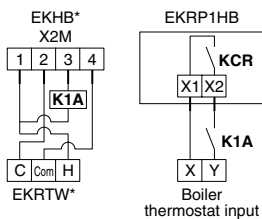
1	Outdoor unit	11	Heat exchanger coil
2	Indoor unit	12	Domestic hot water tank (optional)
3	Heat exchanger		
4	Pump	15	Boiler (field supply)
5	Shut-off valve	16	Aquastat valve (field supply)
6	Collector (field supply)	17	Shut-off valve (field supply)
7	Shut-off valve	18	Non-return valve (field supply)
8	Motorised 3-way valve (delivered with the domestic hot water tank)	FHL1...3	Floor heating loop (field supply)
10	Booster heater		

Field wiring configuration A



Boiler thermostat input	Boiler thermostat input
A	Auxiliary contact (normal closed)
H	Heating demand room thermostat (optional)
K1A	Auxiliary relay for activation of EKHB* unit (field supply)
K2A	Auxiliary relay for activation of boiler (field supply)

Field wiring configuration B



Boiler thermostat input	Boiler thermostat input
C	Cooling demand room thermostat (optional)
H	Heating demand room thermostat (optional)
Com	Common room thermostat (optional)
K1A	Auxiliary relay for activation of boiler unit (field supply)
KCR	Permission signal for the auxiliary boiler

Operation

■ Configuration A

When the room thermostat requests heating, either the EKHB* unit or the boiler starts operating, depending on the position of the auxiliary contact (A).

■ Configuration B

When the room thermostat requests heating, either the EKHB* unit or the boiler starts operating, depending on the outdoor temperature (status of "permission signal for the auxiliary boiler").

When the permission is given towards the boiler, the space heating operation by the EKHB* unit will be automatically switched off.

For more details see field setting [C-02~C-04].

NOTE



■ Configuration A

Make sure that auxiliary contact (A) has sufficient differential or time delay so as to avoid frequent changeover between the EKHB* unit and the boiler. If the auxiliary contact (A) is an outdoor temperature thermostat, make sure to install the thermostat in the shade, so that it is not influenced or turned ON/OFF by the sun.

■ Configuration B

Make sure that the bivalent hysteresis [C-04] has sufficient differential to avoid frequent changeover between the EKHB* unit and the boiler. As the outdoor temperature is measured via the outdoor unit, air thermistor make sure to install the outdoor unit in the shade, so that it is not influenced by the sun.

Frequent switching may cause corrosion of the boiler in an early stage. Contact the manufacturer of the boiler.

- During heating operation of the EKHB* unit, the unit will operate so as to achieve the target leaving water temperature as set on the user interface. When weather dependent operation is active, the water temperature is determined automatically depending on the outdoor temperature.

During heating operation of the boiler, the boiler will operate so as to achieve the target leaving water temperature as set on the boiler controller.

Never set the target leaving water temperature set point on the boiler controller above 131°F (55°C).

- Make sure to only have 1 expansion vessel in the water circuit. An expansion vessel is already premounted in the Daikin indoor unit.

NOTE



Make sure to configure the DIP switch SS2-3 on the PCB of the EKHB* switchbox correctly. Refer to "Room thermostat installation configuration" on page 22.

For configuration B: Make sure to configure the field settings [C-02, C-03 and C-04] correctly. Refer to "Bivalent operation" on page 32.



CAUTION

Make sure that return water to the EKHB* heat exchanger never exceeds 131°F (55°C).

For this reason, never put the target leaving water temperature set point on the boiler controller above 131°F (55°C) and install an aquastat^(a) valve in the return water flow of the EKHB* unit.

Make sure that the non-return valves (field supply) are correctly installed in the system.

Make sure that the room thermostat (th) is not frequently turned ON/OFF.

Daikin shall not be held liable for any damage resulting from failure to observe this rule.

(a) The aquastat valve must be set for 131°F (55°C) and must operate to close the return water flow to the unit when the measured temperature exceeds 131°F (55°C). When the temperature drops to a lower level, the aquastat valve must operate to open the return water flow to the EKHB* unit again.



Manual permission towards the EKHB* unit on the boiler.

In case only the EKHB* unit should operate in space heating mode, disable the bivalent operation via setting [C-02].

In case only the boiler should operate in space heating mode, increase the bivalent ON temperature [C-03] to 77°F (25°C).

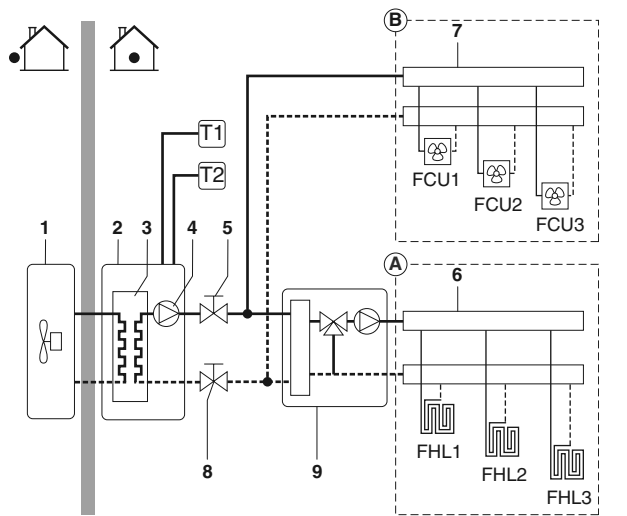
Application 6

Space heating with room thermostat application through floor heating loops and fan coil units. The floor heating loops and fan coil units require different operating water temperatures.

The floor heating loops require a lower water temperature in heating mode compared to fan coil units. To achieve these two set points, a mixing station is used to adapt the water temperature according to requirements of the floor heating loops. The fan coil units are directly connected to the indoor unit water circuit and the floor heating loops after the mixing station. The control of this mixing station is not done by the indoor unit.

The operation and configuration of the field water circuit is the responsibility of the installer.

Daikin only offers a dual set point control function. By this function two set points can be generated. Depending on the required water temperature (floor heating loops and/or fan coil units are required) first set point or second set point can be activated.



1	Outdoor unit	8	Shut-off valve
2	Indoor unit	9	Mixing station (field supply)
3	Heat exchanger	T1	Room thermostat for zone A (optional)
4	Pump	T2	Room thermostat for zone B (optional)
5	Shut-off valve	FCU1..3	Fan coil unit (optional)
6	Collector zone A (field supply)	FHL1...3	Floor heating loop (field supply)
7	Collector zone B (field supply)		



The advantage of the dual set point control is that the heat pump will/can operate at the lowest required leaving water temperature when only floor heating is required. Higher leaving water temperatures are only required in case fan coil units are operating. This results in a better performance of the heat pump.

Pump operation and space heating

When the room thermostat for the floor heating loop (T1) and the fan coil units (T2) are connected to the indoor unit, the pump (4) will operate when there is a request for heating from T1 and/or T2. The outdoor unit will start operating to achieve the target leaving water temperature. The target leaving water temperature depends on which room thermostat is requesting heating.

Zone	Set point	Field setting	Thermo status			
			ON	OFF	ON	OFF
Zone A	First	UI	ON	OFF	ON	OFF
Zone B	Second	[7-03]	OFF	ON	ON	OFF
Resulting water temperature			UI	[7-03]	[7-03]	—
Result pump operation			ON	ON	ON	OFF

When the room temperature of both zones is above the thermostat set point, the outdoor unit and pump will stop operating.

NOTE



- Make sure to connect the thermostat wires to the correct terminals (see "Overview of the indoor unit" on page 9).
- Make sure to configure the field settings [7-02], [7-03] and [7-04] correctly. Refer to "Dual set point control" on page 29.
- Make sure to configure the DIP switch SS2-3 on the PCB of the EKHBH switch box correctly. Refer to "Room thermostat installation configuration" on page 22.

NOTE



- The request signals for space heating can be implemented in two different ways (installer choice).
 - Thermo ON/OFF signal from room thermostat
 - Status signal (active/not active) from the mixing station
- It is the installers responsibility to make sure no unwanted situations can occur (e.g. too high water temperatures towards floor heating loops, etc.)
- Daikin does not offer any type of mixing station. Dual set point control only provides the possibility to use two set points.
- When only zone A request heating, zone B will be fed with water at a temperature equal to the first set point. This can lead to unwanted heating of zone B.
- When only zone B request heating, the mixing station will be fed with water at a temperature equal to the second set point. Depending on the control of the mixing station, the floor heating loop can still receive water at a temperature equal to set point of the mixing station.

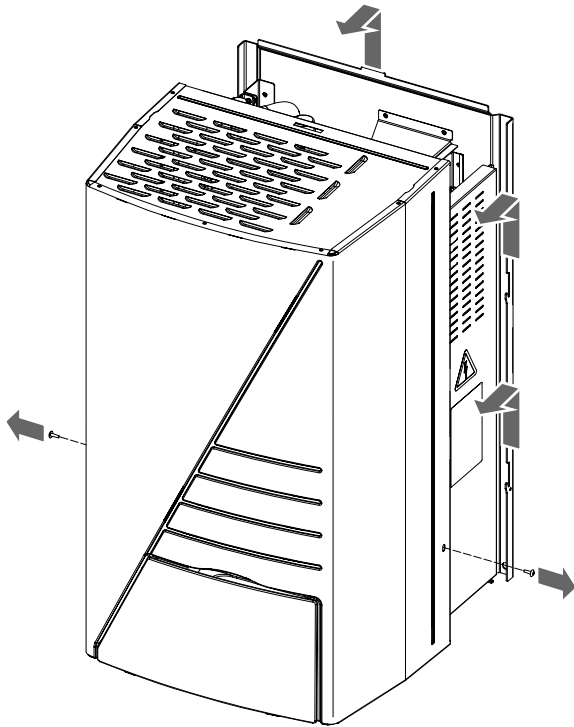


Be aware that the actual water temperature through the floor heating loops depends on the control and setting of the mixing station.

OVERVIEW OF THE INDOOR UNIT

Opening the indoor unit

- The front flap on the indoor unit cover gives access to the manometer and user interface.
- The indoor unit cover can be removed by removing the 2 side screws and unhitching the cover.



Make sure to fix the cover with the screws and nylon washer when installing the cover (screws are delivered as accessory).



Parts inside the unit can be hot.

- To gain access to the switch box components – e.g. to connect the field wiring – the switch box service panel can be removed. Thereo, loosen the front screws and unhitch the switch box service panel.



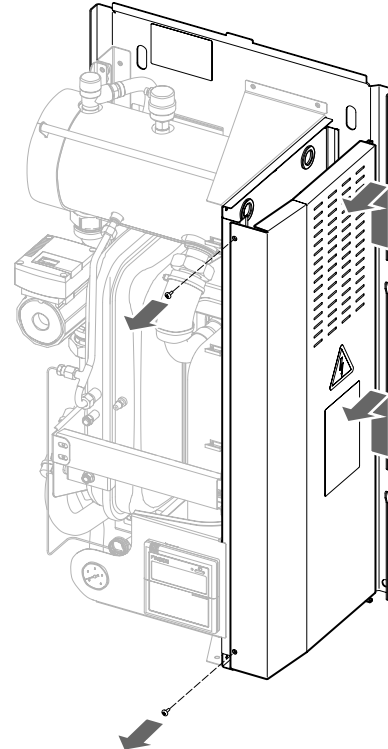
WARNING

- Switch off all power supply – i.e. outdoor unit power supply and backup heater and domestic hot water tank power supply (if applicable) – before removing the switch box service panel.
- Do not touch the refrigerant pipes during and immediately after operation as the refrigerant pipes may be hot or cold, depending on the condition of the refrigerant flowing through the refrigerant piping, compressor, and other refrigerant cycle parts. Your hands may suffer burns or frostbite if you touch the refrigerant pipes. To avoid injury, give the pipes time to return to normal temperature or, if you must touch them, be sure to wear proper gloves.
- Do not touch the internal parts (pump, backup heater, etc.) during and immediately after operation.
Your hands may suffer burns if you touch the internal parts. To avoid injury, give the internal parts time to return to normal temperature or, if you must touch them, be sure to wear proper gloves.

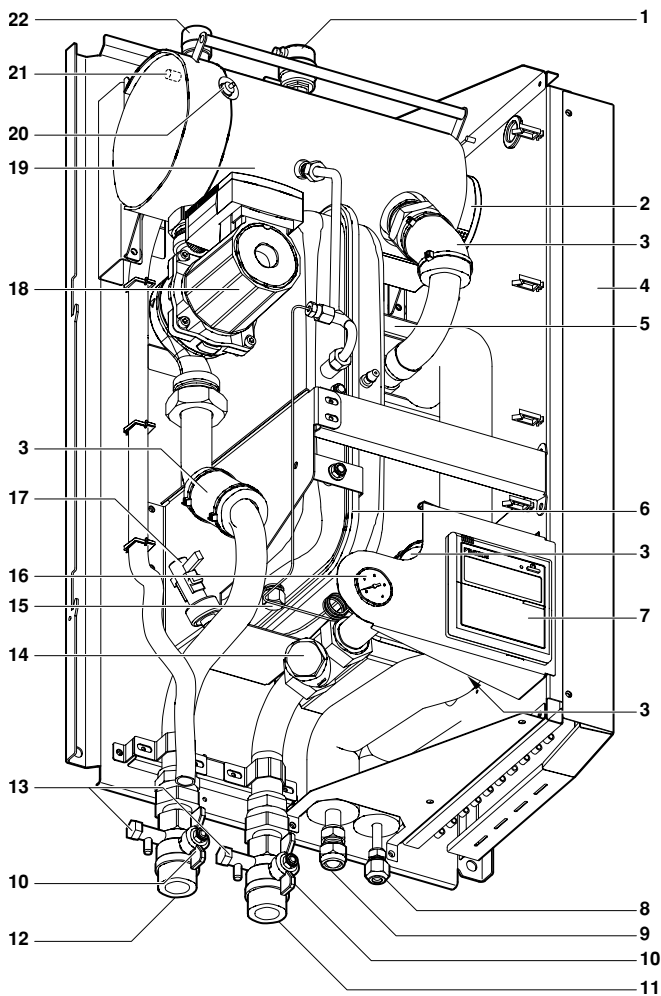


DANGER

- Do not touch water pipes during and immediately after operation as the pipes may be hot. Your hand may suffer burns. To avoid injury, give the piping time to return to normal temperature or be sure to wear proper gloves.
- When service panels are removed, live parts can be easily touched by accident.
Never leave the unit unattended during installation or servicing when the service panel is removed.



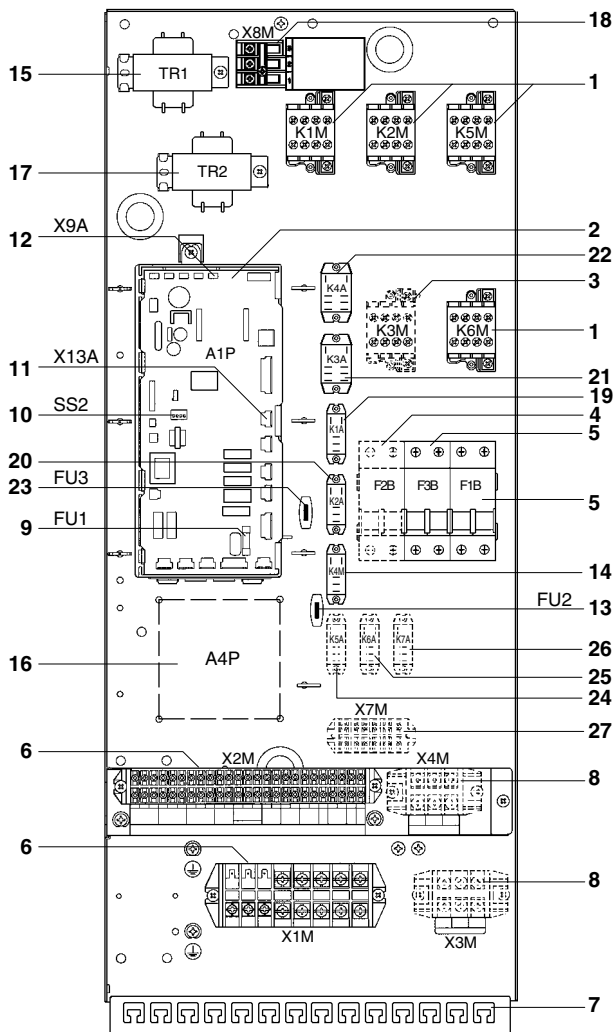
Main components



1. Air purge valve
Remaining air in the water circuit will be automatically removed via the air purge valve.
2. Backup heater
The backup heater consists of an electrical heating element in the backup heater vessel that will provide additional heating capacity to the water circuit if the heating capacity of the outdoor unit is insufficient due to low outdoor temperatures.
3. Temperature sensors
Four temperature sensors determine the water and refrigerant temperature at various points in the water circuit.
4. Switch box
The switch box contains the main electronic and electrical parts of the indoor unit.
5. Heat exchanger
6. Expansion vessel (2.6 gallons) [10 l]
7. User interface
The user interface allows the installer and user to set up, use and maintain the unit.
8. Refrigerant liquid connection
9. Refrigerant gas connection
10. Shut-off valves (accessory)
The shut-off valves on the water inlet connection and water outlet connection allow isolation of the indoor unit water circuit side from the residential water circuit side. This facilitates draining and filter replacement of the indoor unit.
11. Water inlet connection
12. Water outlet connection
13. Drain and fill valves

14. Water filter
The water filter removes dirt from the water to prevent damage to the pump or blockage of the evaporator. The water filter must be cleaned on a regular base. See "Maintenance and service" on page 38.
15. Manometer
The manometer allows readout of the water pressure in the water circuit.
16. Flow switch
The flow switch checks the flow in the water circuit and protects the heat exchanger against freezing and the pump against damage.
17. Pump
The pump circulates the water in the water circuit.
18. Backup heater thermal protector
The backup heater is equipped with a thermal protector. The thermal protector is activated when the temperature becomes too high.
19. Backup heater thermal fuse
The backup heater is equipped with a thermal fuse. The thermal fuse is blown when the temperature becomes too high (higher than the backup heater thermal protector temperature).
20. Pressure relief valve
The pressure relief valve prevents excessive water pressure in the water circuit by opening at 43.5 psi (3 bar) and discharging some water.
21. Pressure relief valve hose
The actual outlet of the pressure relief valve. Make sure to provide a proper drain.

Switch box main components



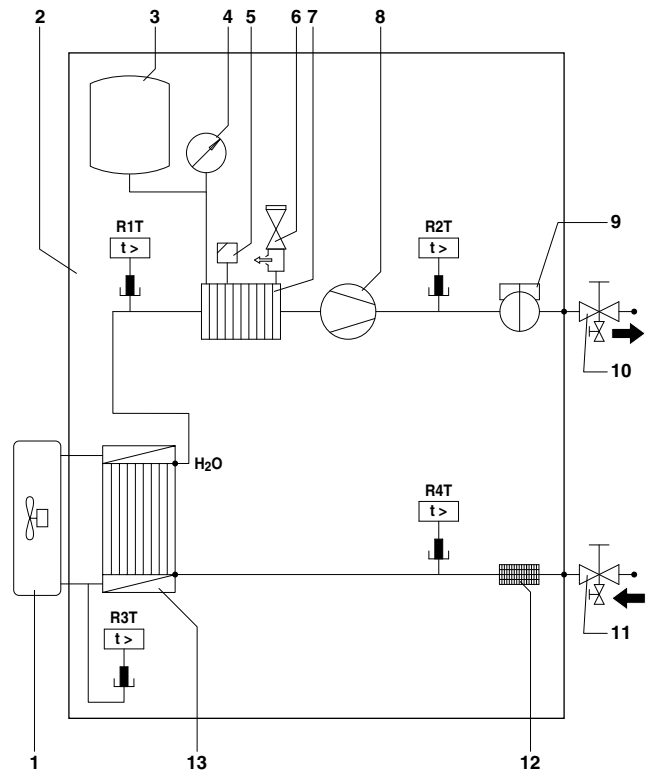
1. Backup heater contactors K1M, K2M, K5M and K6M.
2. Main PCB
The main PCB (Printed Circuit Board) controls the functioning of the unit.
3. Booster heater contactor K3M (only for installations with domestic hot water tank)
4. Booster heater circuit breaker F2B (only for installations with domestic hot water tank)
The circuit breaker protects the booster heater in the domestic hot water tank against overload or short circuit.
5. Backup heater circuit breaker F1B, F3B
The circuit breaker protects the backup heater electrical circuit against overload or short circuit.
6. Terminal blocks
The terminal blocks allow easy connection of field wiring.
7. Cable tie mountings
The cable tie mountings allow to fix the field wiring with cable ties to the switch box to ensure strain relief.
8. Terminal blocks X3M, X4M (only for installations with domestic hot water tank)
9. PCB fuse FU1
10. DIP switch SS2
The DIP switch SS2 provides 4 toggle switches to configure certain installation parameters. See "DIP switch settings overview" on page 22.
11. X13A socket
The X13A socket receives the K3M connector (only for installations with domestic hot water tank).

12. X9A socket
The X9A socket receives the thermistor connector (only for installations with domestic hot water tank).
13. Pump fuse FU2 (in line fuse)
14. Pump relay K4M
15. Transformer TR1
16. A4P
Digital I/O PCB (only for installations with solar kit or digital I/O PCB kit).
17. Transformer TR2 24 V AC for valves and relays (multi-tap)
18. Terminal block X8M
The terminal block X8M is used to select the power input to transformer TR2.
19. 3-way valve relay K1A
20. 2-way valve relay K2A
21. Heating/second set point demand relay K3A
22. Cooling/ first set point demand relay K4A
23. Fuse for valves and relays FU3
24. Alarm output relay K5A (only for installations with digital I/O PCB kit)
25. Heating/cooling ON/OFF output relay K6A (only for installations with digital I/O PCB kit)
26. Solar input relay K7A (only for installations with solar kit)
27. Terminal block (only for installations with digital I/O PCB kit)

NOTE



The electrical wiring diagram can be found on the inside of the switch box cover.



- | | | | |
|---|-----------------------|-----|---|
| 1 | Outdoor unit | 10 | Shut-off valve water outlet with drain valve (field installation) |
| 2 | Indoor unit | 11 | Shut-off valve water inlet with drain valve (field installation) |
| 3 | Expansion vessel | 12 | Filter |
| 4 | Manometer | 13 | Heat exchanger |
| 5 | Air purge valve | R1T | Temperature sensors |
| 6 | Pressure relief valve | R2T | |
| 7 | Backup heater | R3T | |
| 8 | Pump | R4T | |
| 9 | Flow switch | | |

INSTALLATION OF THE INDOOR UNIT

Selecting an installation location

The unit is to be wall mounted in an indoor location that meets the following requirements:

- The installation location is frost-free.
- The space around the unit is adequate for servicing. (See figure 2).
- The space around the unit allows for sufficient air circulation.
- There is a provision for condensate drain (only for EKHBX models with drain pan kit EKHBDP) and pressure relief valve blow-off.
- The installation surface is a flat and vertical non-combustible wall, capable of supporting the operation weight of the unit (see "Technical specifications" on page 43).
- There is no danger of fire due to leakage of inflammable gas.
- All piping lengths and distances have been taken into consideration.

Requirement	Value
Maximum allowable refrigerant piping length between outdoor unit and indoor unit	246 ft (75 m)
Minimum required refrigerant piping length between outdoor unit and indoor unit	9.8 ft ^(a) (3 m)
Maximum allowable height difference between outdoor unit and indoor unit	98.4 ft (30 m)
Maximum allowable distance between the 3-way valve and the indoor unit (only for installations with domestic hot water tank).	9.8 ft (3 m)
Maximum allowable distance between the domestic hot water tank and the indoor unit (only for installations with domestic hot water tank). The thermistor cable supplied with the domestic hot water tank is 12 m in length.	32.8 ft (10 m)

(a) When <16.4 ft (<5 m), recharging of the outdoor unit is required. Refer to the installation manual of the outdoor unit.

- During normal operation the hydrobox unit will produce sound which could be observed as noise. The sound origin can be water pump operation and/or contactor activation. Therefore it is advisable to install the hydrobox unit on a firm wall and not in nor close to a sound sensitive environment (e.g. bedroom).
- Do not install the unit in places with high humidity (e.g. bathroom).
- Select piping diameter in relation to required water flow and available ESP of pump.
- The equipment is not intended for use in a potentially explosive atmosphere.
- Do not install the unit in places often used as work place. In case of construction works (e.g. grinding works) where a lot of dust is created, the unit must be covered.
- Take care that in the event of a water leak, water can not cause any damage to the installation space and surroundings.
- Do not place any objects or equipment on top of the unit.
- Be sure that sufficient precautions are taken, in accordance with relevant local laws and regulations, in case of refrigerant leakage.

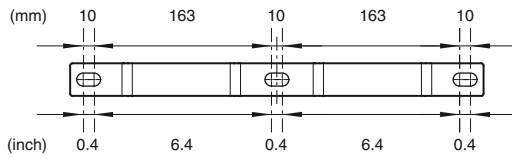


CAUTION

If the installation is equipped with a domestic hot water tank (optional), please refer to the domestic hot water tank installation manual.

Dimensions and service space

Dimensions of the wall bracket



Unit of measurement: inch (mm)

Dimensions of the unit, see figure 3

- | | | | |
|---|-------------------------------|-------------|------------------------------|
| 1 | Flexible drain hose | 5 | Refrigerant gas connection |
| 2 | Water outlet connection | | |
| 3 | Water inlet connection | FBSP | Female British Standard Pipe |
| 4 | Refrigerant liquid connection | MBSP | Male British Standard Pipe |

Required service space, see figure 2

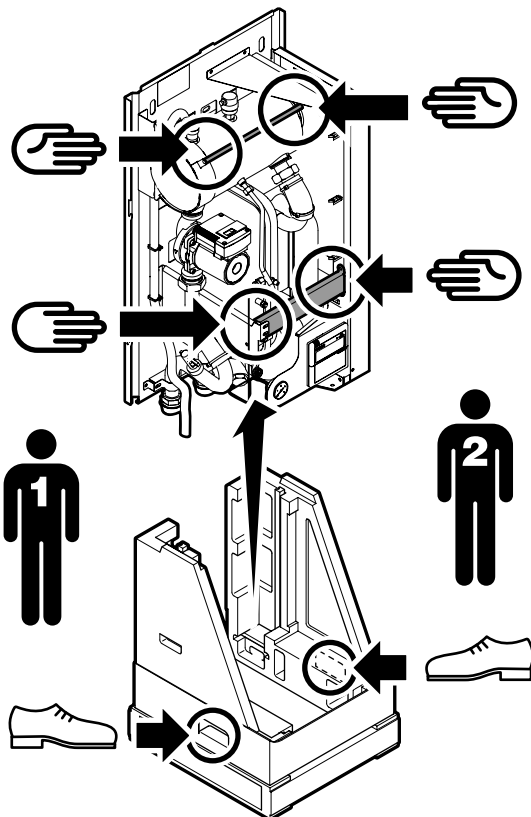
Inspecting, handling and unpacking the unit

- The indoor unit is packed in a cardboard box, fixed by straps on a wooden pallet.
- At delivery, the unit must be checked and any damage must be reported immediately to the carrier claims agent.
- Check if all indoor unit accessories (see "Accessories" on page 2) are enclosed.
- Bring the unit as close as possible to its final installation position in its original package in order to prevent damage during transport.
- The indoor unit weighs approximately 123 lbs (55 kg) and should be lifted by two persons using the two lifting bars provided.



CAUTION

Do not grasp the switch box or piping to lift the unit! Two lifting bars are provided to lift the unit.



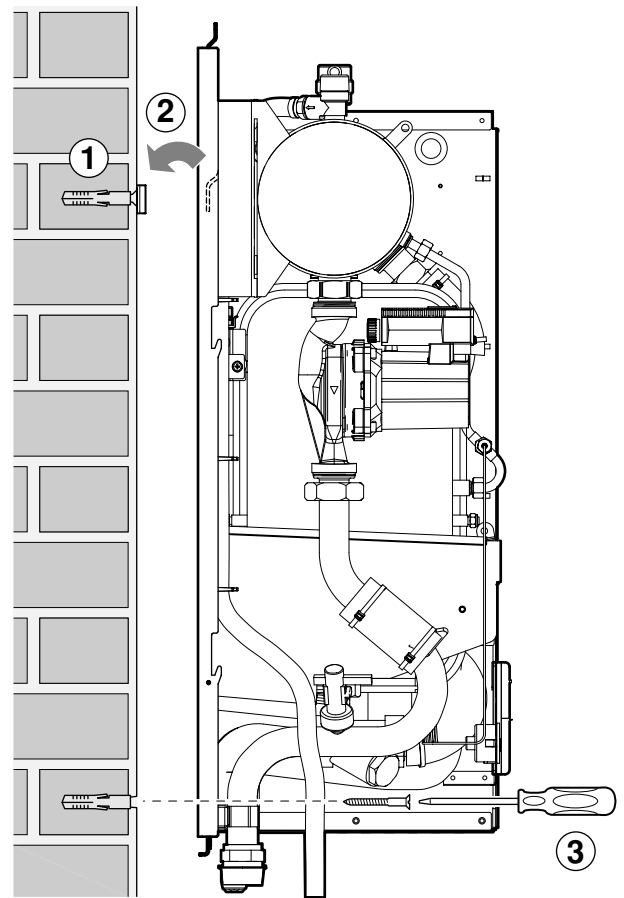
Mounting the indoor unit



CAUTION

The weight of the indoor unit is approximately 123 lbs (55 kg). Two persons are required to mount the unit.

- 1 Fix the wall mounting bracket to the wall using appropriate plugs and screws.
Make sure the wall mounting bracket is completely level. When the unit is not installed level, air might get trapped in the water circuit resulting in malfunctioning of the unit. Pay special attention to this when installing an EKHBX model to prevent overflow of the drain pan.
- 2 Hang the indoor unit on the wall mounting bracket.
- 3 Fix the indoor unit at the bottom side using appropriate plugs and screws. To do so, the unit is equipped with 2 holes at the bottom outer edges of the frame.



Installation of the EKHBDP drain pan kit (only for EKHBX models)

For heating/cooling models, it is necessary to install the drain pan kit (see "Accessories" on page 2).

During cooling operation, water vapour (humidity) in the air might condense to liquid and collect on the cold refrigerant and water pipes. This water is collected in the drain pan, which must be connected to a drain.

For installation instructions, refer to the instruction sheet delivered with the drain pan kit.



CAUTION

Make sure to position the pressure relief valve hose end in the drain pan. Failure to do so might lead to water coming into contact with electrical parts, resulting in electrical shocks or short-circuit of the electrical system.

Refrigerant pipework

For all guidelines, instructions and specifications regarding refrigerant pipework between the indoor unit and the outdoor unit, please refer to the outdoor unit installation manual.

The location of the gas pipe and liquid pipe on the indoor unit is shown under "Main components" on page 10.

Refrigerant piping specifications	Indoor unit	Outdoor unit
Gas pipe connection	5/8 inch (15.9 mm)	5/8 inch (15.9 mm)
Liquid pipe connection	3/8 inch (9.5 mm)	3/8 inch (9.5 mm)



When connecting the refrigerant pipes, always use two wrenches/spanners for tightening or loosening nuts! Failure to do so can result in damaged piping connections and leaks.

Water pipework

Checking the water circuit

The units are equipped with a water inlet and water outlet for connection to a water circuit. This circuit must be provided by a licensed technician and must comply with all relevant local laws and regulations.

NOTE



The unit is only to be used in a closed water system. Application in an open water circuit can lead to excessive corrosion of the water piping.

NOTE



Before continuing the installation of the unit, check the following points:

- The maximum water pressure = 43.5 psi (3 bar) + static pressure of pump.
- The maximum water temperature is 149°F (65°C) (safety device setting).
- Two shut-off valves are delivered with the unit. To facilitate service and maintenance, install one at the water inlet and one at the water outlet of the indoor unit. Mind position of the shut-off valves. Orientation of the integrated drain and fill valves is important for servicing. See figure 3.
- Drain taps must be provided at all low points of the system to permit complete drainage of the circuit during maintenance. Two drain valves integrated in the shut-off valves are provided to drain the water from the indoor unit water system.
- Make sure to provide a proper drain for the pressure relief valve to avoid any water coming into contact with electrical parts.
- Air vents must be provided at all high points of the system. The vents should be located at points which are easily accessible for servicing. An automatic air purge is provided inside the indoor unit. Check that this air purge valve is not tightened too much so that automatic release of air in the water circuit remains possible.
- Take care that the components installed in the field piping can withstand the water pressure and water temperature.
- Always use materials which are compatible with water used in the system and with the materials used on the indoor unit.
- Select piping diameter in relation to required water flow and available ESP of the pump.
- The minimum required water flow for the indoor unit operation is 4.23 gallons/min (16 l/min). When the water flow is lower than this minimum value, flow error TH will be displayed and the operation of the indoor unit will be stopped.

Checking the water volume and expansion vessel pre-pressure

The unit is equipped with an expansion vessel of 2.6 gallons (10 litre) which has a default pre-pressure of 14.5 psi (1 bar).

To assure proper operation of the unit, the pre-pressure of the expansion vessel might need to be adjusted and the minimum and maximum water volume must be checked.

- 1 Check that the total water volume in the installation, excluding the internal water volume of the indoor unit, is 5.3 gallons (20 l) minimum. Refer to "Technical specifications" on page 43 to know the internal water volume of the indoor unit.



In most applications this minimum water volume will have a satisfying result.

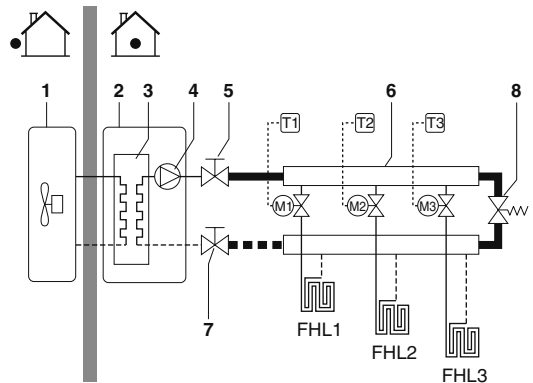
In critical processes or in rooms with a high heat load though, extra water volume might be required.

NOTE



When circulation in each space heating loop is controlled by remotely controlled valves, it is important that this minimum water volume is kept even if all the valves are closed.

Example



1	Outdoor unit	8	By-pass valve (field supply)
2	Indoor unit	FHL1..3	Floor heating loop (field supply)
3	Heat exchanger	T1..3	Individual room thermostat (optional)
4	Pump	M1..3	Individual motorised valve to control loop FHL1 (field supply)
5	Shut-off valve		
6	Collector (field supply)		
7	Shut-off valve		

- 2 Using the table below, determine if the expansion vessel pre-pressure requires adjustment.

- 3 Using the table and instructions below, determine if the total water volume in the installation is below the maximum allowed water volume.

Installation height difference ^(a)	Water volume	
	≤74 gallons (280 l)	>74 gallons (280 l)
≤23 ft (≤7 m)	No pre-pressure adjustment required.	Actions required: <ul style="list-style-type: none"> pre-pressure must be decreased, calculate according to "Calculating the pre-pressure of the expansion vessel" check if the water volume is lower than maximum allowed water volume (use graph below)
>23 ft (>7 m)	Actions required: <ul style="list-style-type: none"> pre-pressure must be increased, calculate according to "Calculating the pre-pressure of the expansion vessel" check if the water volume is lower than maximum allowed water volume (use graph below) 	Expansion vessel of the unit too small for the installation.

(a) Installation height difference: height difference (ft)(m) between the highest point of the water circuit and the unit. If the unit is located at the highest point of the installation, the installation height is considered 0 ft (0 m).

Calculating the pre-pressure of the expansion vessel

The pre-pressure (Pg) to be set depends on the maximum installation height difference (H) and is calculated as below:

$$Pg_{(psi)} = (H_{(ft)} / 32 + 0.3) \times 14.5 \text{ psi}$$

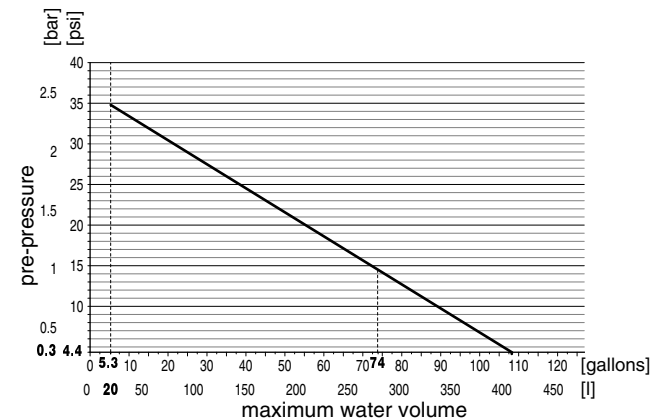
$$Pg_{(bar)} = (H_{(m)} / 10 + 0.3) \text{ bar}$$

Checking the maximum allowed water volume

To determine the maximum allowed water volume in the entire circuit, proceed as follows:

- Determine for the calculated pre-pressure (Pg) the corresponding maximum water volume using the graph below.
- Check that the total water volume in the entire water circuit is lower than this value.

If this is not the case, the expansion vessel inside the unit is too small for the installation.



pre-pressure = pre-pressure
 maximum water volume = maximum water volume

Example 1

The unit is installed 16.4 ft (5 m) below the highest point in the water circuit. The total water volume in the water circuit is 26.4 gallons (100 l).

In this example, no action or adjustment is required.

Example 2

The unit is installed at the highest point in the water circuit. The total water volume in the water circuit is 92.5 gallons (350 l).

Result:

- Since 92.5 gallons (350 l) is higher than 74.0 gallons (280 l), the pre-pressure must be decreased (see table above).
- The required pre-pressure is:
 $Pg_{(psi)} = (H_{(ft)} / 32 + 0.3) \times 14.5 \text{ psi} = (0 / 32 + 0.3) \times 14.5 \text{ psi} = 4.4 \text{ psi}$
 $Pg_{(bar)} = (H_{(m)} / 10 + 0.3) \text{ bar} = (0 / 10 + 0.3) \text{ bar} = 0.3 \text{ bar}$
- The corresponding maximum water volume can be read from the graph: approximately 108.0 gallons (410 l).
- Since the total water volume (92.5 gallons (350 l)) is below the maximum water volume (108.0 gallons (410 l)), the expansion vessel suffices for the installation.

Setting the pre-pressure of the expansion vessel

When it is required to change the default pre-pressure of the expansion vessel (14.5 psi (1 bar)), keep in mind the following guidelines:

- Use only dry nitrogen to set the expansion vessel pre-pressure.
- Inappropriate setting of the expansion vessel pre-pressure will lead to malfunction of the system. Therefore, the pre-pressure should only be adjusted by a licensed installer.

Connecting the water circuit

Water connections must be made in accordance with local laws and regulations and the outlook diagram delivered with the unit, respecting the water in- and outlet.

NOTE



Be careful not to deform the unit piping by using excessive force when connecting the piping. Deformation of the piping can cause the unit to malfunction.

If air, moisture or dust gets in the water circuit, problems may occur. Therefore, always take into account the following when connecting the water circuit:

- Use clean pipes only.
- Hold the pipe end downwards when removing burrs.
- Cover the pipe end when inserting it through a wall so that no dust and dirt enter.
- Use a good thread sealant for the sealing of the connections. The sealing must be able to withstand the pressures and temperatures of the system.
- When using non-brass metallic piping, make sure to insulate both materials from each other to prevent galvanic corrosion.
- Because brass is a soft material, use appropriate tooling for connecting the water circuit. Inappropriate tooling will cause damage to the pipes.

NOTE



- The unit is only to be used in a closed water system. Application in an open water circuit can lead to excessive corrosion of the water piping.
- Never use Zn-coated parts in the water circuit. Excessive corrosion of these parts may occur as copper piping is used in the unit's internal water circuit.
- When using a 3-way valve in the water circuit. It is very important to guarantee full separation between domestic hot water and floor heating water circuit.
- When using a 3-way valve or a 2-way valve in the water circuit, the maximum change over time of the valve shall be less than 60 seconds.

Charging water

- 1 Connect the water supply to a drain and fill valve (see "Main components" on page 10).
- 2 Make sure the automatic air purge valve is open (at least 2 turns).
- 3 Fill with water until the manometer indicates a pressure of approximately 29 psi (2.0 bar). Remove air in the circuit as much as possible using the air purge valves. Air present in the water circuit might cause malfunctioning of the backup heater.
- 4 Check that the backup heater vessel is filled with water by opening the pressure relief valve. Water must flow out of the valve.

NOTE



- During filling, it might not be possible to remove all air in the system. Remaining air will be removed through the automatic air purge valves during first operating hours of the system. Additional filling with water afterwards might be required.
 - The water pressure indicated on the manometer will vary depending on the water temperature (higher pressure at higher water temperature). However, at all times water pressure should remain above 4.3 psi (0.3 bar) to avoid air entering the circuit.
 - The unit might dispose some excessive water through the pressure relief valve.
 - Water quality must be according to "Safe Drinking water Act (42 U.S.C. 300f)".
-

Piping insulation

The complete water circuit, inclusive all piping, must be insulated to prevent condensation during cooling operation and reduction of the cooling and heating capacity.

If the temperature is higher than 86°F (30°C) and the humidity is higher than RH 80%, then the thickness of the sealing materials should be at least 0.79 inch (20 mm) in order to avoid condensation on the surface of the sealing.

Field wiring

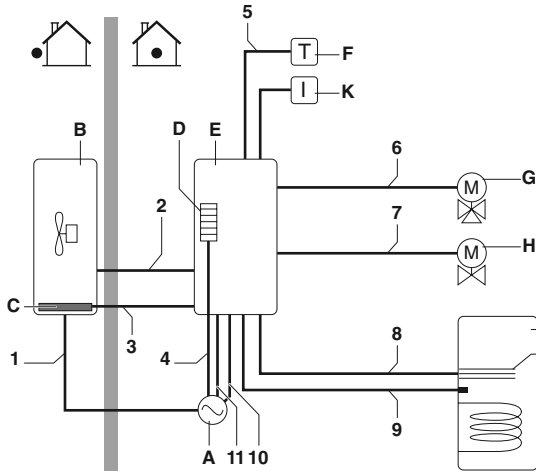


WARNING

- A main switch or other means for disconnection, having a contact separation in all poles, must be incorporated in the fixed wiring in accordance with relevant local laws and regulations.
 - Switch off the power supply before making any connections.
 - Use only copper wires.
 - Never squeeze bundled cables and make sure that it does not come in contact with the piping and sharp edges.
Make sure no external pressure is applied to the terminal connections.
 - All field wiring and components must be installed by a licensed electrician and must comply with relevant local laws and regulations.
 - The field wiring must be carried out in accordance with the wiring diagram supplied with the unit and the instructions given below.
 - Be sure to use a dedicated power supply. Never use a power supply shared by another appliance.
 - Be sure to establish an ground. Do not ground the unit to a utility pipe, surge absorber, or telephone ground. Incomplete ground may cause electrical shock.
 - Be sure to install an ground fault circuit interrupter (30 mA) in accordance with relevant local laws and regulations. Failure to do so may cause electrical shock or fire.
 - Be sure to install the required fuses or circuit breakers.
-

Overview

The illustration below gives an overview of the required field wiring between several parts of the installation. Refer also to "Typical application examples" on page 4.



- | | | | |
|----------|--|----------|--|
| A | Single power supply for outdoor unit, backup heater and booster heater | G | 3-way valve for domestic hot water tank (optional) |
| B | Outdoor unit | H | 2-way valve for cooling mode (field supply) |
| C | Bottom plate heater EKBPH ^(a) | I | Domestic hot water tank (optional) |
| D | Backup heater | J | Booster heater (optional) |
| E | Indoor unit | K | User interface (digital controller) |
| F | Room thermostat (optional) | | |

(a) Bottom plate heater is only applicable in combination with ERLQ or in case of optional EKBPH^(a) kit.

Item	Description	Required number of conductors	Maximum running current
1	Power supply cable for outdoor unit	2+GND	(a)
2	Indoor unit power supply and communication cable	3+GND	(b)
3	Power cable for bottom plate heater	2	(c)
4	Power supply cable for backup heater	2+GND or 3+GND	(d)
5	Room thermostat cable	3 or 4	100 mA ^(e)
6	3-way valve control cable	2+GND	100 mA ^(e)
7	2-way valve control cable	2+GND	100 mA ^(e)
8	Booster heater power supply and thermal protection cable	4+GND	(b)
9	Thermistor cable	2	(f)
10	Booster heater power supply cable	2+GND	13 A
11	Benefit kWh rate power supply cable (voltage free contact)	2	(g)
12	User interface cable	2	(h)

- (a) Refer to nameplate on outdoor unit.
 (b) Cable section AWG13 (2.5 mm²)
 (c) Minimum cable section AWG18 (0.75 mm²)
 (d) See table under "Connection of the backup heater power supply" on page 18.
 (e) Minimum cable section AWG18 (0.75 mm²)
 (f) The thermistor and connection wire (39.4 ft)(12 m) are delivered with the domestic hot water tank.
 (g) Cable section AWG18 till AWG16 (0.75~1.25 mm²), maximum length: 164 ft (50 m).
 Voltage free contact shall ensure the minimum applicable load of 15 V DC, 10 mA.
 (h) Cable section AWG18 till AWG16 (0.75~1.25 mm²), maximum length: 1640 ft (500 m).



CAUTION

Select all cables and wire sizes in accordance with relevant local laws and regulations.



WARNING

After finishing the electric work, confirm that each electric part and terminal inside the electric parts box is connected securely.

Internal wiring - Parts table

Refer to the internal wiring diagram supplied with the unit (on the inside of the indoor unit switch box cover). The abbreviations used are listed below.

- A1PMain PCB
 A2PDigital controller PCB (user interface)
 A3P*Thermostat (EKRTWA) (PC= internal Power Circuit) (optional)
 A4P*Digital I/O PCB (EKRP1HB) (optional)
 E1HBackup heater element 1
 E2HBackup heater element 2
 E4H#Booster heater (3 kW)
 F1B,F3BFuse backup heater
 F2B#Fuse booster heater
 F1TThermal fuse backup heater (250 V, 201.2°F (94°C))
 FU1Fuse 3.15 A T 250 V for PCB
 FU2Fuse 5 A T 250 V
 FU3Fuse 1 A T 250 V
 FuR,FuSFuse 5 A 250 V for digital I/O PCB
 K1A~K4ARelays for valves and thermostat
 K5A~K7ARelays for digital I/O PCB kit
 K1MContactor backup heater step 1
 K2MContactor backup heater step 2
 K3M#Contactor booster heater
 K4MPump relay
 K5M,K6MContactor for backup heater all pole disconnection
 M1PPump
 M2S##2-way valve for cooling mode (field supply)
 M3S#3-way valve: floor heating/domestic hot water
 PHC1Optocoupler input circuit
 Q1DIGround fault circuit interrupter (field supply)
 Q1LThermal protector backup heater
 Q2L,Q3L#Thermal protector booster heater
 R1T*Ambient sensor (EKRTWA) (optional)
 R1TOutlet water heat exchanger thermistor
 R2TOutlet water backup heater thermistor
 R3TRefrigerant liquid side thermistor
 R4TInlet water thermistor
 R5T#Domestic hot water thermistor
 S1LFlow switch
 S1SSolar pump station relay
 S2SBenefit kWh rate power supply contact
 S3SDual set point 2 contact
 S4SDual set point 1 contact
 SS1DIP switch
 TR1,TR2Transformer 24 V for PCB, for relays and valves
 V1SSpark suppression 1
 V2SSpark suppression 2
 X1M~X9MTerminal blocks
- * Optional
 # Applications with domestic hot water tank only
 ## Heating/cooling applications only

Field wiring guidelines

- Most field wiring on the indoor unit side is to be made on the terminal block inside the switch box. To gain access to the terminal block, remove the indoor unit cover and switch box service panel, see "Opening the indoor unit" on page 9.



WARNING

Switch off all power supply – i.e. outdoor unit power supply and backup heater and domestic hot water tank power supply (if applicable) – before removing the switch box service panel.

- Cable tie mountings are provided at the bottom of the switch box. Fix all cables using cable ties (field supply).
- A dedicated power circuit is required for the backup heater.
- Installations equipped with a domestic hot water tank (optional), require a dedicated power circuit for the **booster heater**. Please refer to the domestic hot water tank installation manual.

Connection of the indoor unit power supply and communication cable

Power circuit and cable requirements

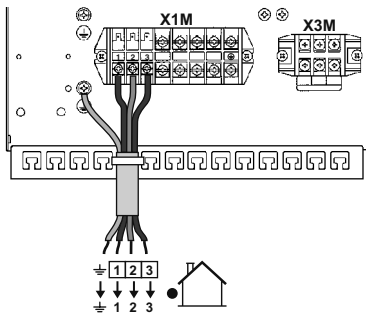
Power supply for the indoor unit is to be provided through the outdoor unit. Data communication with the outdoor unit is provided through the same cable.

For all guidelines and specifications regarding field wiring between the indoor unit and the outdoor unit, please refer to the outdoor unit installation manual.

Procedure

- Using the appropriate cable, connect the power circuit to the appropriate terminals as shown on the wiring diagram and the illustration below.
- Connect the ground conductor (yellow/green) to the grounding screw on the switch box mounting plate.
- Fix the cable with cable ties to the cable tie mountings to ensure strain relief.
- When routing out cables, make sure that these do not obstruct mounting of the indoor unit cover, see figure 3.

Note: only relevant field wiring is shown.



Connection of the backup heater power supply

Power circuit and cable requirements



Use a dedicated power circuit for the backup heater and booster heater. Never use a power circuit shared by another appliance.

This power circuit must be protected with the required safety devices according to local laws and regulations.

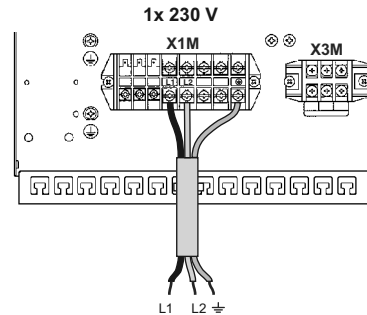
Select the power cable in accordance with relevant local laws and regulations. For the maximum running current of the backup heater, refer to the table below.

Indoor unit model	Backup heater capacity	Backup heater nominal voltage	Minimum circuit amps	Maximum overcurrent protection
EKHB*054BA3V3	3 kW	1x 230 V	14.3 A	20 A
EKHB*054BA6V3	6 kW	1x 230 V	28.6 A	30 A

Procedure

- Using the appropriate cable, connect the power circuit to the main circuit breaker as shown on the wiring diagram and the illustration below.
- Connect the ground conductor (yellow/green) to the grounding screw on the X1M terminal.
- Fix the cable with cable ties to the cable tie mountings to ensure strain relief.

Note: only relevant field wiring is shown.



Connection of the thermostat cable

Connection of the thermostat cable depends on the application.

See also "Typical application examples" on page 4 and "Room thermostat installation configuration" on page 22 for more information and configuration options on pump operation in combination with a room thermostat.

Thermostat requirements

- Power supply: battery operated
- Contact voltage: 24 V.

Procedure

- Connect the thermostat cable to the appropriate terminals as shown on the wiring diagram and installation manual of the room thermostat kit.
- Fix the cable with cable ties to the cable tie mountings to ensure strain relief.
- Set DIP switch SS2-3 on the PCB to ON. See "Room thermostat installation configuration" on page 22 for more information.

Connection of the first set point and second set point contacts

The connection of the set point contact is only relevant in case dual set point contact is enabled.

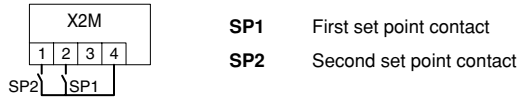
See also "Typical application examples" on page 4 and "Dual set point control" on page 29.

Contact requirements

The contact shall be a voltage free contact that ensure 24 V (100 mA).

Procedure

- 1 Connect the contact of first set point and second set point to the appropriate terminals as shown in the figure below



- 2 Fix the cables with cable ties to the cable tie mountings to ensure strain relief.
- 3 Depending on the required pump operation set DIP switch SS2-3 and field setting [F-00]. See "Pump operation configuration" on page 23 and field setting [F-00] in "[F] Option setup" on page 34.


Connection of the valve control cables

Valve requirements

- Power supply: 24 V AC
- Maximum running current: 100 mA

Wiring the 2-way valve

- 1 Using the appropriate cable, connect the valve control cable to the X2M terminal as shown on the wiring diagram.

NOTE  Wiring is different for a NC (normal closed) valve and a NO (normal open) valve. Make sure to connect to the correct terminal numbers as detailed on the wiring diagram and illustrations below.


Normal closed (NC) 2-way valve Normal open (NO) 2-way valve



- 2 Fix the cable(s) with cable ties to the cable tie mountings to ensure strain relief.

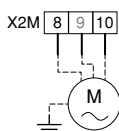
Wiring the 3-way valve

- 1 Using the appropriate cable, connect the valve control cable to the appropriate terminals as shown on the wiring diagram.

NOTE  Type of 3-way valve to be connected. (Delivered with optional domestic hot water tank)

- "SPST 3-wire" type 3-way valve
The 3-way valve should be fitted as such that when terminal ports 9 and 10 are electrified, the domestic hot water circuit is selected.

"SPST 3-wire" valve



- 2 Fix the cable(s) with cable ties to the cable tie mountings to ensure strain relief.

Power input selection to transformer TR2

This selection is needed to ensure a stable 24 V AC output.

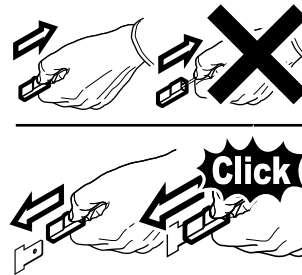
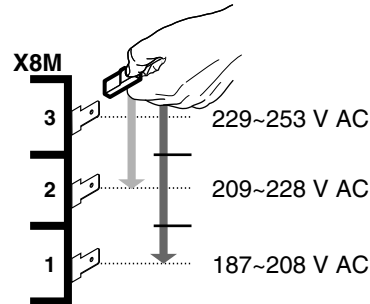
Procedure



DANGER

Switch off all relevant power supply (outdoor unit, backup heater, booster heater) before changing the connector.

- 1 Measure main input power.
- 2 Reconnect wire according to the result of measurement.



Connection to a benefit kWh rate power supply

Electricity companies throughout the world work hard to provide reliable electric service at competitive prices and are often authorized to bill clients at benefit rates. E.g. time-of-use rates, seasonal rates, Wärmepumpentarif in Germany and Austria, ...

This equipment allows for connection to such benefit rate power supply delivery systems.

Consult with the electricity company acting as provider at the site where this equipment is to be installed to know whether it is appropriate to connect the equipment in one of the benefit kWh rate power supply delivery systems available, if any.

When the equipment is connected to such benefit kWh rate power supply, the electricity company is allowed to:

- interrupt power supply to the equipment for certain periods of time;
- demand that the equipment only consumes a limited amount of electricity during certain periods of time.

The indoor unit is designed to receive an input signal by which the unit switches into forced off mode. At that moment, the outdoor unit compressor will not operate.

CAUTION

For a benefit kWh rate power supply like illustrated below as type 1

- If the benefit kWh rate power supply is of the type that power supply is not interrupted, then control of the heaters is still possible.

For the different possibilities of controlling heaters at moments that benefit kWh rate is active, refer to "[D] Benefit kWh rate power supply/Local shift value weather dependent" on page 33.

If heaters must be controlled at moments that the benefit kWh rate power supply is off, then these heaters shall be connected to a separate power supply.

- During the period that the benefit kWh rate is active and power supply is continuous, then stand-by power consumption is possible (PCB, controller, pump, ...).

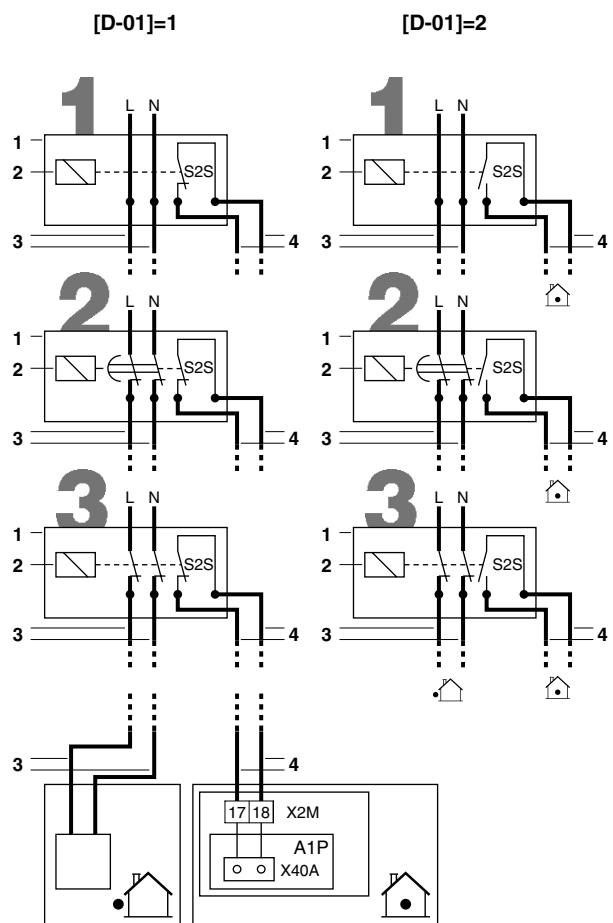
For a benefit kWh rate power supply like illustrated below as types 2 or 3

If during benefit kWh rate power supply the power supply is shut off, then heaters can not be controlled.

- This power supply interruption should not be longer than 2 hours, otherwise the real time clock of the controller will be reset.
- During power supply interruption, the controller display will be blank.

Possible types of benefit kWh rate power supply

Possible connections and requirements to connect the equipment to such power supply are illustrated in the figure below:



- 1 Benefit kWh rate power supply box
- 2 Receiver controlling the signal of the electricity company
- 3 Power supply to outdoor unit (refer to the installation manual delivered with the outdoor unit)
- 4 Voltage free contact to indoor unit

When the outdoor unit is connected to a benefit kWh rate power supply, the voltage free contact of the receiver controlling the benefit kWh rate signal of the electricity company must be connected to clamps 17 and 18 of X2M (as illustrated in the figure above).

When parameter [D-01]=1 at the moment that the benefit kWh rate signal is sent by the electricity company, that contact will open and the unit will go in forced off mode⁽¹⁾.

When parameter [D-01]=2 at the moment that the benefit kWh rate signal is sent by the electricity company, that contact will close and the unit will go in forced off mode⁽²⁾.

Type 1

This type of benefit kWh rate power supply is not interrupted.

Type 2

This type of benefit kWh rate power supply is interrupted after elapse of time.

Type 3


This type of benefit kWh rate power supply is interrupted immediately.

(1) When the signal is released again, the voltage free contact will close and the unit will restart operation. It is therefore important to leave the auto restart function enabled. Refer to "[3] Auto restart" on page 26.

(2) When the signal is released again, the voltage free contact will open and the unit will restart operation. It is therefore important to leave the auto restart function enabled. Refer to "[3] Auto restart" on page 26.

! When connecting the equipment to a benefit kWh rate power supply, change field setting [D-01]. In case the benefit kWh rate power supply is of the type that power supply is not interrupted (like illustrated above as type 1) change both field settings [D-01] and [D-00]. Refer to "[D] Benefit kWh rate power supply/Local shift value weather dependent" on page 33 of chapter "Field settings".

! If the benefit kWh rate power supply is of the type that power supply is not interrupted, the unit will be forced to off. Controlling the solar pump is still possible.

When the benefit kWh rate signal is sent, the centralised control indicator  will flash to indicate that the benefit kWh rate is active.

Relocation of the digital controller

The digital controller is from factory located on the indoor unit. (See "Main components" on page 10 for actual position). If required, the digital controller can be repositioned.

Be aware that only 1 digital controller can be connected to the indoor unit.

Wiring specifications

Wire specification	Value
Type	2 wire
Section	AWG18 - AWG16 (0.75~1.25 mm ²)
Maximum length	1640 ft (500 m)

NOTE The wiring for connection is not included.



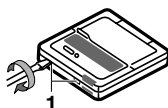
Mounting

NOTE The digital controller has to be mounted indoors.

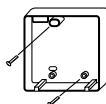


- 1 Remove the front part of the digital controller.

Insert a slotted screwdriver into the slots (1) in the rear part of the digital controller, and remove the front part of the digital controller.



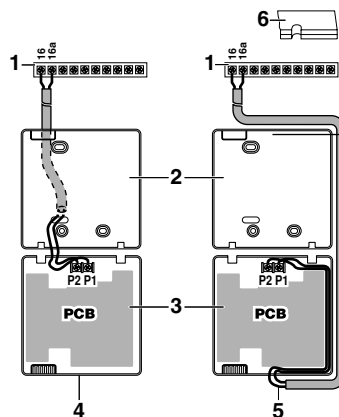
- 2 Fasten the digital controller on a flat surface.



NOTE Be careful not to distort the shape of the lower part of the digital controller by over tightening the mounting screws.



- 3 Wire the unit.



- 1 Unit
- 2 Rear part of the digital controller
- 3 Front part of the digital controller
- 4 Wired from the rear
- 5 Wired from the top
- 6 Notch the part for the wiring to pass through with nippers, etc.

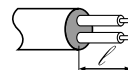
Connect the terminals on top of the front part of the digital controller and the terminals inside the unit (P1 to 16, P2 to 16a).

NOTE



■ When wiring, run the wiring away from the power supply wiring in order to avoid receiving electric noise (external noise).

■ Peel the shield for the part that has to pass through the inside of the digital controller case (/).



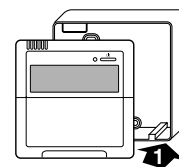
- 4 Reattach the upper part of the digital controller.



CAUTION

Be careful not to pinch the wiring when attaching.

First begin fitting from the clips at the bottom.



START-UP AND CONFIGURATION

The indoor unit should be configured by the installer to match the installation environment (outdoor climate, installed options, etc.) and user expertise.



It is important that **all** information in this chapter is read sequentially by the installer and that the system is configured as applicable.

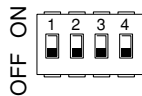
DIP switch settings overview

DIP switch SS2 is located on the switch box PCB (see "Switch box main components" on page 11) and allows configuration of domestic hot water tank installation, room thermostat connection and pump operation.



WARNING

Switch off the power supply before opening the switch box service panel and making any changes to the DIP switch settings.

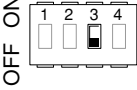
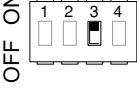


DIP switch SS2	Description	ON	OFF
1	Not applicable for installer	—	(Default)
2	Domestic hot water tank installation (see "Domestic hot water tank installation configuration" on page 23)	Installed	Not installed (Default)
3	Room thermostat connection (see "Room thermostat installation configuration" on page 22)	Room thermostat connected	No room thermostat connected (Default)
4	This setting ^(a) decides the operation mode of the heat pump when there is a simultaneous demand for more space heating/cooling and domestic water heating.	Heating/cooling priority	Priority to highest demand side ^(b)


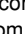

(a) Only applicable in case DIP switch 2 = ON.

(b) Heating/cooling or domestic water heating mode can be restricted by schedule timer and/or field settings (4, 5, 8).




Room thermostat installation configuration




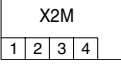
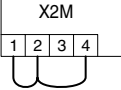

- When **no room thermostat** is connected to the indoor unit, toggle switch SS2-3 should be set to **OFF**. 
- When the **room thermostat** is connected to the indoor unit, toggle switch SS2-3 should be set to **ON**. 
- On the room thermostat, confirm the correct settings (f_{r-02} =yes, f_{r-05} =9, f_{r-06} =3) to prevent the pump from repeatedly turning on and off (i.e. chattering), and thereby impacting the lifetime of the pump.



- When the room thermostat is connected to the indoor unit, the heating and cooling schedule timers are never available. Other schedule timers are not affected. For more information on the schedule timers, refer to the operation manual.
- When the room thermostat is connected to the indoor unit, and the  button or  button is pressed, the centralised control indicator  will flash to indicate that the room thermostat has priority and controls on/off operation and change over operation.

The following table summarizes the required configuration and thermostat wiring at the terminal block (X2M: 1, 2, 3, 4) in the switch box. Pump operation is listed in the third column. The three last columns indicate whether the following functionality is available on the user interface (UI) or handled by the thermostat (T):

- space heating or cooling on/off ()
- heating/cooling changeover ()
- heating and cooling schedule timers ()

Thermostat	Configuration	Pump operation			
No thermostat	<ul style="list-style-type: none"> SS2-3 = OFF wiring: (non) 	determined by leaving water temperature ^(a)	UI	UI	UI
	<ul style="list-style-type: none"> SS2-3 = ON wiring: 	on when space heating or cooling is on ()	UI	UI	UI
Heating only thermostat	<ul style="list-style-type: none"> SS2-3 = ON wiring: (see installation manual of the room thermostat kit) 	on when heating request by room thermostat	T	—	—
Thermostat with heating/cooling switch	<ul style="list-style-type: none"> SS2-3 = ON wiring: (see installation manual of the room thermostat kit) 	on when heating request or cooling request by room thermostat	T	T	—

(a) The pump will stop when space heating/cooling is turned off or when the water reaches the desired water temperature as set on the user interface. With space heating/cooling turned on, the pump will then run every 5 minutes during 3 minutes to check the water temperature.

Pump operation configuration

NOTE To set the pump speed, refer to "Setting the pump speed" on page 24.

Without room thermostat: DIP switch SS2-3 = OFF

When no thermostat is connected to the indoor unit, pump operation will be determined by the leaving water temperature.

To force continuous pump operation when no room thermostat is connected do the following:

- set toggle switch SS2-3 to ON,
- short-circuit the terminal numbers 1-2-4 on the terminal block in the switch box.

With room thermostat: DIP switch SS2-3 = ON

When the thermostat is connected to the indoor unit, the pump will operate continuously whenever there is heating or cooling demand requested by the thermostat.

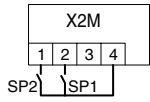
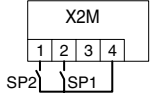
Dual set point

When dual set point is enabled, the pump operation will be determined depending on the status of the DIP switch SS2-3 and set point selection contacts. Refer to the pump operation configurations when the thermostat is connected or not as described above.

! When dual set point is enabled, the "forced continuous pump operation" is not possible. When SS2-3 is ON while SP1 and SP2 are both closed, the pump operation will be the same operation as "with room thermostat" and the second set point will be the applicable set point. Refer to "Dual set point control" on page 29.

The following table summarizes the required configuration and wiring at the terminal block (X2M: 1, 2, 4) in the switch box. Pump operation is listed in the third column. The three last columns indicate whether the following functionality is available on the user interface (UI) or handled by the set point selection contacts SP1 and SP2:

- space heating or cooling on/off (**)
- heating/cooling changeover (*/*)
- heating and cooling schedule timers (⊕)

Dual set point				
Configuration	Pump operation	⊕	*/*	**
<ul style="list-style-type: none"> • [7-02]=1 • SS2-3 = OFF • wiring: 	determined by leaving water temperature ^(a)	UI	UI	UI
<ul style="list-style-type: none"> • [7-02]=1 • SS2-3 = ON • wiring: 	on when main or/and sub set point is requested	SP2/SP1	UI	—

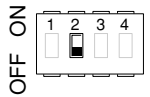
SP1 = First set point contact

SP2 = Second set point contact

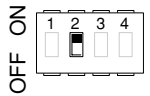
(a) The pump will stop when space heating/cooling is turned off or when the water reaches the desired water temperature as set on the user interface. With space heating/cooling turned on, the pump will then run every 5 minutes during 3 minutes to check the water temperature.

Domestic hot water tank installation configuration

■ When **no domestic hot water tank** is installed, toggle switch SS2-2 should be set to **OFF** (default).



■ When a **domestic hot water tank** is installed, toggle switch SS2-2 should be set to **ON**.



When SS2-3 was set to ON without all necessary and correct wiring connections between indoor unit and switchbox of the domestic hot water tank, the error code **RC** will be displayed on the user interface.

Initial start-up at low outdoor ambient temperatures

During initial start-up and when water temperature is low, it is important that the water is heated gradually. Failure to do so may result in cracking of concrete floors due to rapid temperature change. Please contact the responsible cast concrete building contractor for further details.

To do so, the lowest leaving water set temperature can be decreased to a value between 59°F (15°C) and 77°F (25°C) by adjusting the field setting [9-01] (heating set point lower limit). Refer to "Field settings" on page 25.



Heating between 59°F (15°C) and 77°F (25°C) is performed by the backup heater only.

Pre-operation checks

Checks before initial start-up



DANGER

Switch off all relevant power supply before making any connections.

After the installation of the unit, check the following before switching on the circuit breaker:

1 Field wiring

Make sure that the field wiring between local supply panel and indoor unit, outdoor unit and indoor unit, indoor unit and valves (when applicable), indoor unit and room thermostat (when applicable), and indoor unit and domestic hot water tank has been carried out according to the instructions described in the chapter "Field wiring" on page 16, according to the wiring diagrams and according to local laws and regulations.

2 Fuses, circuit breakers, or protection devices

Check that the fuses, circuit breakers, or the locally installed protection devices are of the size and type specified in the chapter "Technical specifications" on page 43. Make sure that neither a fuse nor a protection device has been bypassed.

3 Backup heater circuit breaker F1B/F3B

Do not forget to turn on the backup heater circuit breaker F2B in the switchbox (F1B/F3B depends on the backup heater type). Refer to the wiring diagram.

4 Booster heater circuit breaker F2B

Do not forget to turn on the booster heater circuit breaker F2B in the switch box (applies only to units with optional domestic hot water tank installed).

5 Ground wiring

Make sure that the ground wires have been connected properly and that the ground terminals are tightened.

6 Internal wiring

Visually check the switch box on loose connections or damaged electrical components.

7 Fixation

Check that the unit is properly fixed, to avoid abnormal noises and vibrations when starting up the unit.

8 Damaged equipment

Check the inside of the unit on damaged components or squeezed pipes.

9 Refrigerant leak

Check the inside of the unit on refrigerant leakage. If there is a refrigerant leak, call your local dealer.

10 Power supply voltage


Check the power supply voltage on the local supply panel. The voltage must correspond to the voltage on the identification label of the unit.

11 Air purge valve

Make sure the air purge valve is open (at least 2 turns).


12 Pressure relief valve

Check if the backup heater is completely filled with water by operating the pressure relief valve. It should purge water instead of air.

NOTE  Operating the system with the backup heater not completely filled with water will damage the backup heater!

13 Shut-off valves

Make sure that the shut-off valves are correctly installed and fully open.

NOTE  Operating the system with closed valves will damage the pump!

Powering up the indoor unit

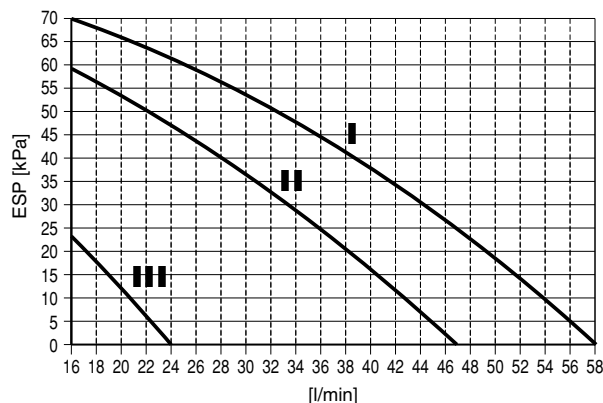
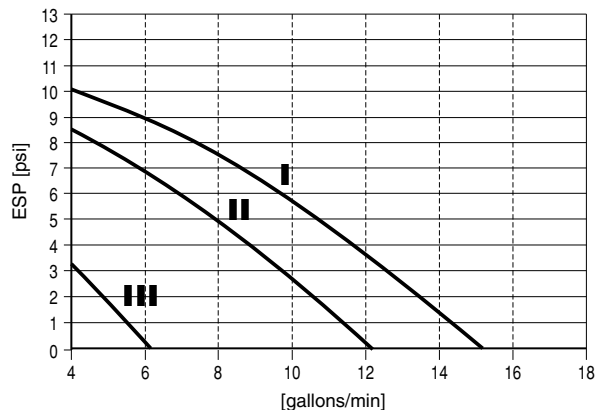
When power supply to the indoor unit is turned on, "88" is displayed on the user interface during its initialisation, which might take up to 30 seconds. During this process the user interface cannot be operated.

Setting the pump speed

The pump speed can be selected on the pump (see "Main components" on page 10).

The default setting is high speed (I). If the water flow in the system is too high (e.g., noise of running water in the installation) the speed can be set to medium speed (II) or low speed (III).

The available external static pressure (ESP, expressed in psi (kPa)) in function of the water flow (gallons/min (l/min)) is shown in the graph below.



Field settings

The indoor unit shall be configured by the installer to match the installation environment (outdoor climate, installed options, etc.) and user demand. Thereto, a number of so called field settings are available. These field settings are accessible and programmable through the user interface on the indoor unit.

Each field setting is assigned a 3-digit number or code, for example [1-03], which is indicated on the user interface display. The first digit [1] indicates the 'first code' or field setting group. The second and third digit [03] together indicate the 'second code'.

A list of all field settings and default values is given under "Field settings table" on page 35. In this same list, we provided for 2 columns to register the date and value of altered field settings at variance with the default value.

A detailed description of each field setting is given under "Detailed description" on page 25.

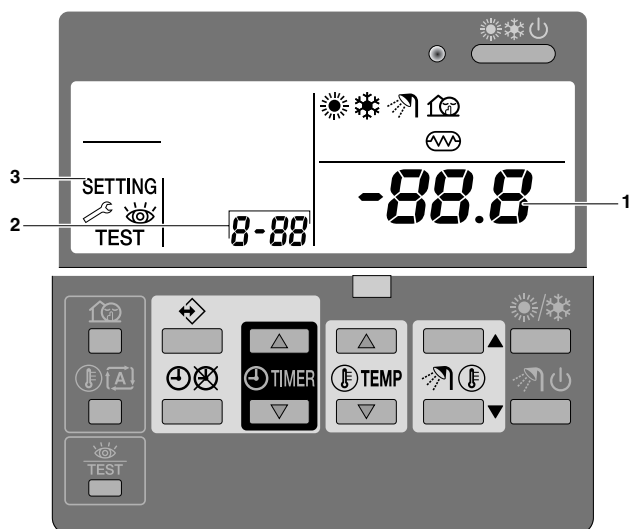
Procedure

To change one or more field settings, proceed as follows.



Temperature values displayed on the digital controller (user interface) are in °C.

Temperature values in °C are between brackets. Conversion from °C to °F is for information only.



- 1 Press the button for a minimum of 5 seconds to enter FIELD SET MODE.
The **SETTING** icon (3) will be displayed. The current selected field setting code is indicated **8-88** (2), with the set value displayed to the right **-88.8** (1).
- 2 Press the button to select the appropriate field setting first code.
- 3 Press the button to select the appropriate field setting second code.
- 4 Press the button and button to change the set value of the select field setting.
- 5 Save the new value by pressing the button.
- 6 Repeat step 2 through 4 to change other field settings as required.
- 7 When finished, press the button to exit FIELD SET MODE.



Changes made to a specific field setting are only stored when the button is pressed. Navigating to a new field setting code or pressing the button will discard the change made.



- Before shipping, the set values have been set as shown under "Field settings table" on page 35.
- When exiting FIELD SET MODE, "88" may be displayed on the user interface LCD while the unit initialises itself.

Detailed description

[0] User permission level

If required, certain user interface buttons can be made unavailable for the user.

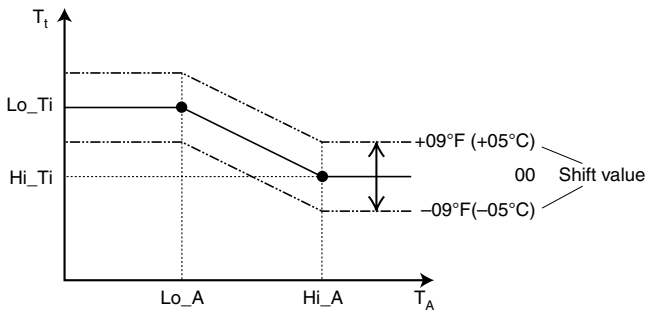
Three permission levels are defined (see the table below). Switching between level 1 and level 2/3 is done by simultaneously pressing buttons and immediately followed by simultaneously pressing buttons and , and keeping all 4 buttons pressed for at least 5 seconds (in normal mode). Note that no indication on the user interface is given. When level 2/3 is selected, the actual permission level – either level 2 or level 3 – is determined by the field setting [0-00].

Button	Permission level		
	1	2	3
Quiet mode button	operable	—	—
Weather dependent set point button	operable	—	—
Schedule timer enable/disable button	operable	operable	—
Programming button	operable	—	—
Time adjust buttons	operable	—	—
Inspection/test operation button	operable	—	—

[1] Weather dependent set point (heating operation only)

The weather dependent set point field settings define the parameters for the weather dependent operation of the unit. When weather dependent operation is active the water temperature is determined automatically depending on the outdoor temperature: colder outdoor temperatures will result in warmer water and vice versa. During weather dependent operation, the user has the possibility to shift up or down the target water temperature by a maximum of 9°F (5°C). See the operation manual for more details on weather dependent operation.

- [1-00] Low ambient temperature (Lo_A): low outdoor temperature.
- [1-01] High ambient temperature (Hi_A): high outdoor temperature.
- [1-02] Set point at low ambient temperature (Lo_Ti): the target outgoing water temperature when the outdoor temperature equals or drops below the low ambient temperature (Lo_A).
Note that the Lo_Ti value should be higher than Hi_Ti, as for colder outdoor temperatures (i.e. Lo_A) warmer water is required.
- [1-03] Set point at high ambient temperature (Hi_Ti): the target outgoing water temperature when the outdoor temperature equals or rises above the high ambient temperature (Hi_A).
Note that the Hi_Ti value should be *lower* than Lo_Ti, as for warmer outdoor temperatures (i.e. Hi_A) less warm water suffices.



T_t Target water temperature
 T_A Ambient (outdoor) temperature

Shift value = Shift value

[2] Disinfection function

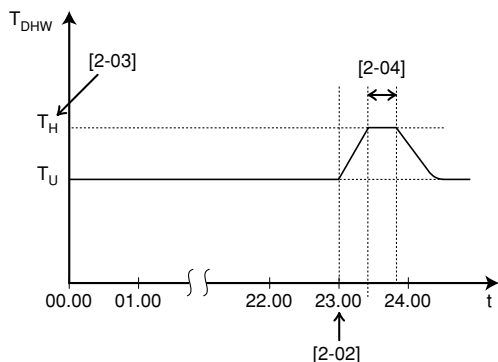
Applies only to installations with a domestic hot water tank.

The disinfection function disinfects the domestic hot water tank by periodically heating the domestic hot water to a specific temperature.

CAUTION

The disinfection function field settings must be configured by the installer according to local laws and regulations.

- [2-00] Operation interval: day(s) of the week at which the domestic hot water should be heated.
- [2-01] Status: defines whether the disinfection function is turned on (1) or off (0).
- [2-02] Start time: time of the day at which the domestic hot water should be heated.
- [2-03] Set point: high water temperature to be reached.
- [2-04] Interval: time period defining how long the set point temperature should be maintained.



T_{DHW} Domestic hot water temperature
 T_U User set point temperature (as set on the user interface)
 T_H High set point temperature [2-03]
 t Time

WARNING

Be aware that the domestic hot water temperature at the hot water tap will be equal to the value selected in field setting [2-03] after a disinfection operation.

If this high domestic hot water temperature can be a potential risk for human injuries, a mixing valve (field supply) shall be installed at the hot water outlet connection of the domestic hot water tank. This mixing valve shall secure that the hot water temperature at the hot water tap never rise above a set maximum value. This maximum allowable hot water temperature shall be selected according to local laws and regulations.

[3] Auto restart

When power returns after a power supply failure, the auto restart function reapplies the user interface settings at the time of the power supply failure.

NOTE It is therefore recommended to leave the auto restart function enabled.

Note that with the function disabled the schedule timer will not be activated when power returns to the unit after a power supply failure. Press the button to enable the schedule timer again.

- [3-00] Status: defines whether the auto restart function is turned **ON (0)** or **OFF (1)**.

NOTE If the benefit kWh rate power supply is of the type that power supply is interrupted, then always allow the auto restart function.

[4] Backup/booster heater operation and space heating off temperature

Backup heater operation

The operation of the backup heater can altogether be enabled or disabled, or it can be disabled depending on operation of the booster heater.

- [4-00] Status: defines whether backup heater operation is enabled (1) or disabled (0).
- [4-01] Priority: defines whether backup heater and booster heater can operate simultaneously (0), or if the booster heater operation has priority over the backup heater operation (1), or if the backup heater operation has priority over the booster heater operation (2).

NOTE When the priority field setting is set to ON (1), space heating performance of the system might be decreased at low outdoor temperatures, since in case of domestic water heating demand the backup heater will not be available for space heating (space heating will still be provided by the heat pump).

When the priority field setting is set to ON (2), domestic water heating performance of the system might be decreased at low outdoor temperatures, since in case of space heating demand the booster heater will not be available for domestic water heating. However domestic water heating by heat pump will still be available.

When the priority field setting is set to OFF (0), make sure that electrical power consumption does not exceed supply limits.

Space heating off temperature

- [4-02] Space heating off temperature: outdoor temperature above which space heating is turned off, to avoid overheating.

Booster heater operation

Applies only to installations with a domestic hot water tank.

The operation of the booster heater can be enabled or limited depending on outdoor temperature (T_A), domestic hot water temperature (T_{DHW}) or operation mode of the heat pump.

- [4-03] Booster heater operation: defines whether the optional booster heater operation is enabled (1) or has certain limitations (0/2/3).

Explanation of settings of [4-03]

Booster heater will/can only operate if domestic hot water mode is activated (🔌).

- [4-03]=0, then booster heater operation is only allowed during "[2] Disinfection function" and "Powerful domestic water heating" (see operation manual).

This setting is only recommended in case the capacity of the heat pump can cover the heating requirements of the house and domestic hot water over the complete heating season.

The result of this setting is that the domestic hot water will never be heated by the booster heater except for "[2] Disinfection function" and "Powerful domestic water heating" (see operation manual).



If the booster heater operation is limited ([4-03]=0) and the ambient outdoor temperature T_A is lower than the field setting to which parameter [5-03] is set and [5-02]=1, then the domestic hot water will not be heated.

The consequence of this setting is that the domestic hot water temperature (T_{DHW}) can be maximum the heat pump OFF temperature ($T_{HP\ OFF}$). Refer to setting of [6-00] and [6-01] in "[6]" on page 28.

- [4-03]=1, then booster heater operation is only determined by booster heater OFF temperature ($T_{BH\ OFF}$), booster heater ON temperature ($T_{BH\ ON}$) and/or schedule timer. Refer to setting "[7-00]" on page 29 and "[7-01]" on page 29.

- [4-03]=2, then booster heater operation is only allowed if heat pump is out of "operation range" of heat pump domestic water heating mode ($T_A < [5-03]$ or $T_A > 95^\circ\text{F}(35^\circ\text{C})$) or domestic hot water temperature is $3.6^\circ\text{F}(2^\circ\text{C})$ lower than the heat pump OFF temperature ($T_{HP\ OFF}$) for domestic hot water mode ($T_{DHW} > T_{HP\ OFF} - 3.6^\circ\text{F}(2^\circ\text{C})$). (Refer to setting [5-03] on page 27, [6-00] on page 28 and [6-01] on page 28). Results in the most optimum coverage of domestic hot water heated by the pump.

- [4-03]=3, then booster heater operation is the same as setting 1, except that booster heater is OFF when the heat pump is active in domestic hot water mode. The consequence of this functionality is that setting [8-03] is not relevant.

Results in optimum coverage of domestic hot water heated by heat pump in relation with [8-04].



- When setting [4-03]=1/2/3, the booster heater operation can still be restricted by the schedule timer as well. I.e., when booster heater operation is preferred during certain period of the day. (See operation manual)

- When setting [4-03]=2, the booster heater will be allowed to operate when $T_A < [5-03]$ independent of the status of [5-02]. If bivalent operation is enabled and permission signal for auxiliary boiler is ON, the booster heater will be restricted even when $T_A < [5-03]$. (See "[C-02]" on page 32).

- Booster heater is always allowed during powerful and disinfection function, except for the period that the backup heater operation is required for safety reasons and [4-02]=1.

[5] Equilibrium temperature and space heating priority temperature

Equilibrium temperature — The 'equilibrium temperature' field settings apply to operation of the **backup heater**.

When the equilibrium temperature function is enabled, operation of the backup heater is restricted to low outdoor temperatures, i.e. when the outdoor temperature equals or drops below the specified equilibrium temperature. When the function is disabled, operation of the backup heater is possible at all outdoor temperatures. Enabling this function reduces the working time of the backup heater.

- [5-00] Equilibrium temperature status: specifies whether the equilibrium temperature function is enabled (1) or disabled (0).

- [5-01] Equilibrium temperature: outdoor temperature below which operation of the backup heater is allowed.

Space heating priority temperature — Applies only to installations with a domestic hot water tank. — The 'space heating priority temperature' field settings apply to operation of the 3-way valve and the **booster heater** in the domestic hot water tank.

When the space heating priority function is enabled, it is assured that the full capacity of the heat pump is used for space heating only when the outdoor temperature equals or drops below the specified space heating priority temperature, i.e. low outdoor temperature. In this case the domestic hot water will only be heated by the booster heater.

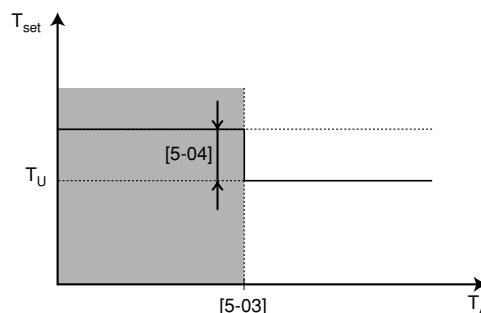
- [5-02] Space heating priority status: specifies whether space heating priority is enabled (1) or disabled (0).

- [5-03] Space heating priority temperature: outdoor temperature below which the domestic hot water will be heated by the booster heater only, i.e. low outdoor temperature.



If the booster heater operation is limited ([4-03]=0) and the ambient outdoor temperature T_A is lower than the field setting to which parameter [5-03] is set and [5-02]=1, then the domestic hot water will not be heated.

- [5-04] Set point correction for domestic hot water temperature: set point correction for the desired domestic hot water temperature, to be applied at low outdoor temperature when space heating priority is enabled. The corrected (higher) set point will make sure that the *total* heat capacity of the water in the tank remains approximately unchanged, by compensating for the colder bottom water layer of the tank (because the heat exchanger coil is not operational) with a warmer top layer.



- T_{set} Domestic hot water set point temperature
- T_U User set point (as set on the user interface)
- T_A Ambient (outdoor) temperature
- Space heating priority



WARNING

Be aware that the domestic hot water temperature will be automatically increased with the value selected in field setting [5-04] (if the outdoor temperature drops below field setting [5-03]) compare to the user set point for domestic hot water (T_U). Refer to field setting [5-03], [7-00] and the operation manual to select preferable set point.

If this high domestic hot water temperature can be a potential risk for human injuries, a mixing valve (field supply) shall be installed at the hot water outlet connection of the domestic hot water tank. This mixing valve shall secure that the hot water temperature at the hot water tap never rise above a set maximum value. This maximum allowable hot water temperature shall be selected according to local laws and regulations.

[6] DT for heat pump domestic water heating mode

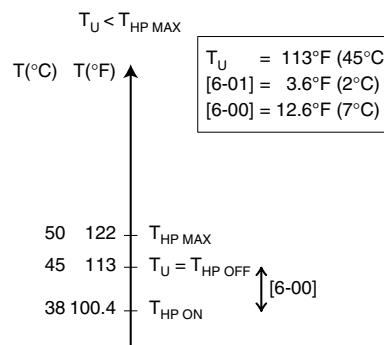
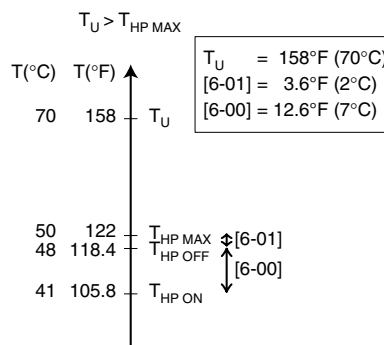
Applies only to installations with a domestic hot water tank.

The 'DT (temperature difference) for heat pump domestic water heating mode' field settings determine the temperatures at which heating of the domestic hot water by the heat pump will be started (i.e., the heat pump ON temperature) and stopped (i.e., the heat pump OFF temperature).

When the domestic hot water temperature drops below the heat pump ON temperature ($T_{HP\ ON}$), heating of the domestic hot water by the heat pump will be started. As soon as the domestic hot water temperature reaches the heat pump OFF temperature ($T_{HP\ OFF}$) or the user set point temperature (T_U), heating of the domestic hot water by the heat pump will be stopped (by switching the 3-way valve).

The heat pump OFF temperature, and the heat pump ON temperature, and its relation with field settings [6-00] and [6-01] are explained in the illustration below.

- [6-00] Start: temperature difference determining the heat pump ON temperature ($T_{HP\ ON}$). See illustration.
- [6-01] Stop: temperature difference determining the heat pump OFF temperature ($T_{HP\ OFF}$). See illustration.



- T_U User set point temperature (as set on the user interface)
- $T_{HP\ MAX}$ Maximum heat pump temperature at sensor in domestic hot water tank (122°F)(50°C)(depending on T_A)^(a)
- $T_{HP\ OFF}$ Heat pump OFF temperature
- $T_{HP\ ON}$ Heat pump ON temperature

(a) 122°F (50°C) = $T_{HP\ MAX}$ at $T_A \leq 77°F$ (25°C).
118.4°F (48°C) = $T_{HP\ MAX}$ at $T_A > 77°F$ (25°C).



The maximum domestic hot water temperature that can be reached with the heat pump is 122°F (50°C). It is advised to select $T_{HP\ OFF}$ not higher than 118.4°F (48°C) in order to improve performance of the heat pump during domestic water heating mode.

When setting [4-03]=0 or 2 special attention to setting [6-00] is recommended. A good balance between the required domestic hot water temperature and heat pump ON temperature ($T_{HP\ ON}$) is a must.

[7] DT for booster heater and dual set point control

DT for booster heater

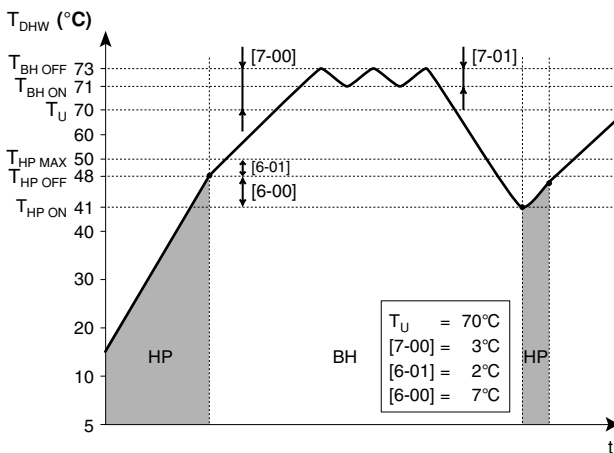
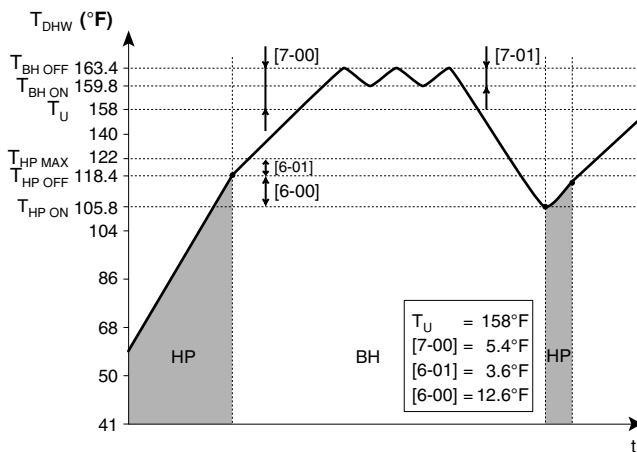
Applies only to installations with a domestic hot water tank.

When the domestic hot water is heated and the domestic hot water set point temperature (as set by the user) has been reached, the booster heater will continue to heat the domestic hot water to a temperature a few degrees above the set point temperature, i.e. the booster heater OFF temperature. These extra degrees are specified by the domestic hot water step length field setting. Correct setting prevents the booster heater from repeatedly turning on and off (i.e. chattering) to maintain the domestic hot water set point temperature. Note: the booster heater will turn back on when the domestic hot water temperature drops [7-01] (field setting) below the booster heater OFF temperature.



If the schedule timer for booster heater (see the operation manual) is active, the booster heater will only operate if allowed by this schedule timer.

- [7-00] Domestic hot water step length: temperature difference above the domestic hot water set point temperature before the booster heater is turned off.



BH	Booster heater
HP	Heat pump. If heating up time by the heat pump takes too long, auxiliary heating by the booster heater can take place
$T_{BH\ OFF}$	Booster heater OFF temperature ($T_U + [7-00]$)
$T_{BH\ ON}$	Booster heater ON temperature ($T_{BH\ OFF} - [7-01]$)
$T_{HP\ MAX}$	Maximum heat pump temperature at sensor in domestic hot water tank
$T_{HP\ OFF}$	Heat pump OFF temperature ($T_{HP\ MAX} - [6-01]$)
$T_{HP\ ON}$	Heat pump ON temperature ($T_{HP\ OFF} - [6-00]$)
T_{DHW}	Domestic hot water temperature
T_U	User set point temperature (as set on the user interface)
t	Time



WARNING

Be aware that the domestic hot water temperature will be automatically increased (always) with the value selected in field setting [7-00] compare to the user set point for domestic hot water (T_U). Refer to field setting [7-00] and the operation manual to select preferable set point.

If this high domestic hot water temperature can be a potential risk for human injuries, a mixing valve (field supply) shall be installed at the hot water outlet connection of the domestic hot water tank. This mixing valve shall secure that the hot water temperature at the hot water tap never rise above a set maximum value. This maximum allowable hot water temperature shall be selected according to local laws and regulations.



If the booster heater operation is limited ([4-03]=0), then set point of field setting parameter [7-00] has only meaning for powerful domestic water heating.

- [7-01] Hysteresis value booster heater: temperature difference determining the booster heater ON temperature ($T_{BH\ ON}$). $T_{BH\ ON} = T_{BH\ OFF} - [7-01]$



The minimum value for booster heater ON temperature ($T_{BH\ ON}$) is 3.6°F (2°C) (fixed) below heat pump OFF temperature ($T_{HP\ OFF}$).

Dual set point control

Applies only to installations with different heat emitter which require different set points.

Dual set point control makes it possible to generate 2 different set points.

NOTE



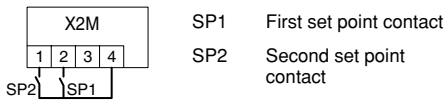
There is no indication available which set point is active!

- [7-02] Dual set point control status: defines whether the dual set point control is enabled (1) or disabled (0).
- [7-03] Second set point heating: specifies the second set point temperature in heating operation.
- [7-04] Second set point cooling: specifies the second set point temperature in cooling operation.

NOTE



- The first set point heating/cooling is the set point selected on the user interface.
 - In heating mode the first set point can be a fixed value or weather dependent.
 - In cooling mode the first set point is always a fixed value.
- The second set point heating [7-03] should be linked to the heat emitters which requires the highest set point in heating mode. Example: fan coil unit.
- The second set point cooling [7-04] should be linked to the heat emitters which requires the lowest set point in cooling mode. Example: fan coil unit.
- The actual second set point heating value depends on the selected value of setting [7-03].
 - In case [7-03]=1.8~43.2°F (1~24°C), the actual second set point will be first set point heating increased with [7-03] (the maximum is 131°F (55°C)).
In this way the second set point heating is linked to the first set point heating.
 - In case [7-03]=77~131°F (25~55°C), the actual second set point heating is equal to [7-03].
- The selection of second set point or first set point is determined by the terminals (X2M: 1, 2, 4). The second set point has always priority on the first set point.



When dual set point control is enabled, heating/cooling selection always has to be done on the user interface.

NOTE



It is the responsibility of the installer to make sure no unwanted situations can occur. It is very important that the water temperature to the floor heating loops never becomes too high in heating mode or never too cold in cooling mode. Failure to observe this rule can result in construction damage or discomfort. For example in cooling mode condensation on the floor can occur when water towards the floor heating loops is too cold (dew point).

[8] Domestic water heating mode timer

Applies only to installations with a domestic hot water tank.

The 'domestic water heating mode timer' field settings defines the minimum and maximum domestic water heating times, minimum time between two domestic water heating cycles by heat pump, and booster heater delay time.

- [8-00] Minimum running time: specifies the minimum time period during which heat pump domestic water heating mode should be activated, even when the target domestic hot water temperature for heat pump ($T_{HP\ OFF}$) has already been reached.
- [8-01] Maximum running time: specifies the maximum time period during which heat pump domestic water heating mode can be activated, even when the target domestic hot water temperature for heat pump ($T_{HP\ OFF}$) has not yet been reached.

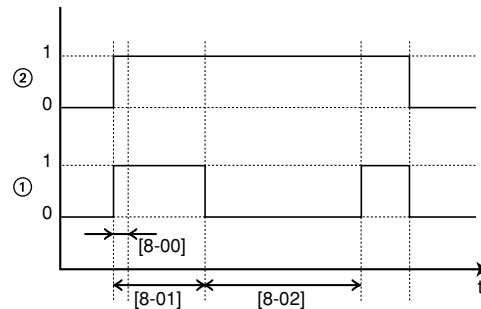
The actual maximum running time will automatically variate between [8-01] and [8-01]+[8-04] depending on the outdoor temperature. See figure in chapter "[8-04]" on page 31.



Note that when the unit is configured to work with a room thermostat (refer to "Room thermostat installation configuration" on page 22), the maximum running timer will only be taken into account when there is a request for space cooling or space heating. When there is no request for room cooling or room heating, domestic water heating by the heat pump will continue until the 'heat pump OFF temperature' (see field settings [6] on page 28) is reached. When no room thermostat is installed, the timer is always taken into account.

- [8-02] Anti-recycling time: specifies the minimum required interval between two heat pump domestic water heating mode cycles.

The actual anti-recycling time will automatically variate between [8-02] and 0 depending on the outdoor temperature. See figure in chapter "[8-04]" on page 31.



- 1 Heat pump domestic water heating mode (1 = active, 0 = not active)
- 2 Hot water request for heat pump (1 = request, 0 = no request)
- t Time

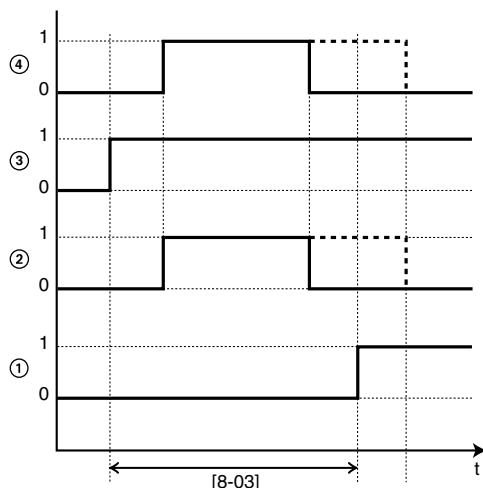


If the outdoor temperature is higher than the field setting to which parameter [4-02] is set, then field settings of parameters [8-01], [8-02], and [8-04] are not considered.

- [8-03] Booster heater delay time: specifies the start-up time delay of the booster heater operation when heat pump domestic water heating mode is active.



- When heat pump is active in domestic water heating mode, the delay time of booster heater is [8-03].
- When heat pump is not active in domestic water heating mode, the delay time is 20 min.
- The delay timer starts from booster heater ON temperature ($T_{BH\ ON}$)



- 1 Booster heater operation (1 = active, 0 = not active)
- 2 Heat pump domestic water heating mode (1 = active, 0 = not active)
- 3 Hot water request for booster heater (1 = request, 0 = no request)
- 4 Hot water request for heat pump (1 = request, 0 = no request)
- t Time

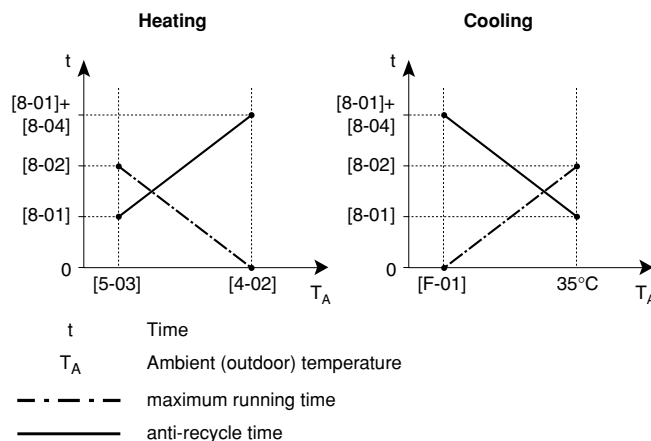


- By adapting the booster heater delay time versus the maximum running time, an optional balance can be found between the energy efficiency and the heat up time.
- However, if the booster heater delay time is set too high, it might take a long time before the domestic hot water reaches its set temperature upon domestic hot water mode request.
- The purpose of [8-03] is to delay the booster heater in relation with the heat pump operation time in domestic water heating mode.
- The setting [8-03] has only meaning if setting [4-03]=1. Setting [4-03]=0/2/3 limits the booster heater automatically in relation to heat pump operation time in domestic water heating mode.
- Take care that [8-03] is always in relation with the maximum running time [8-01].

Example: [4-03]=1

	Energy saving settings	Quick heating settings (default)
[8-01]	20~95 min	30 min
[8-03]	[8-01] + 20 min	20 min

- [8-04] Additional running time at [4-02]/[F-01]: specifies the additional running time on the maximum running time at outdoor temperature [4-02] or [F-01]. See figure below.



The full advantage of [8-04] will be applicable if setting [4-03] is not 1.

[9] Cooling and heating set point ranges

The purpose of this field setting is to prevent the user from selecting a wrong (i.e., too hot or too cold) leaving water temperature. Thereto the heating temperature set point range and the cooling temperature set point range available to the user can be configured.



CAUTION

- In case of a floor heating application, it is important to limit the maximum leaving water temperature at heating operation according to the specifications of the floor heating installation.
- In case of a floor cooling application, it is important to limit the minimum leaving water temperature at cooling operation (field setting of parameter [9-03]) to 60.8~64.4°F (16~18°C) to prevent condensation on the floor.
- [9-00] Heating set point upper limit: maximum leaving water temperature for heating operation.
- [9-01] Heating set point lower limit: minimum leaving water temperature for heating operation.
- [9-02] Cooling set point upper limit: maximum leaving water temperature for cooling operation.
- [9-03] Cooling set point lower limit: minimum leaving water temperature for cooling operation.
- [9-04] Overshoot setting: defines how much the water temperature may rise above the set point before the compressor stops. This function is only applicable in heating mode.

[A] Quiet mode

This field setting allows to select the desired quiet mode. Two quiet modes are available: quiet mode A and quiet mode B.

In quiet mode A, priority is given to the outdoor unit operating quietly under **all** circumstances. Fan and compressor speed (and thus performance) will be limited to a certain percentage of the speed at normal operation. In certain cases, this might result in reduced performance.

In quiet mode B, quiet operation might be overridden when higher performance is required. In certain cases, this might result in less quiet operation of the outdoor unit to meet the requested performance.

- [A-00] Quiet mode type: defines whether quiet mode A (0) or quiet mode B (2) is selected.
- [A-01] Parameter 01: do not change this setting. Leave it set to its default value.

NOTE Do not set other values than the ones mentioned.



[C] Setup on EKR1HB digital I/O PCB

Solar priority mode

- [C-00] Solar priority mode setting: for information concerning the EKSOLHW solar kit, refer to the installation manual of that kit.

Alarm output logic

- [C-01] Alarm output logic: defines the logic of the alarm output on the EKR1HB digital I/O PCB.
[C-01]=0, the alarm output will be powered when an alarm occurs (default).
[C-01]=1, the alarm output will not be powered when an alarm occurs. This field setting allows for distinction between detection of an alarm and detection of a power failure to the unit.

[C-01]	Alarm	No alarm	No power supply to unit
0 (default)	Closed output	Open output	Open output
1	Open output	Closed output	Open output

Bivalent operation

Applies only to installations with an auxiliary boiler (alternating operation, parallel connected). The purpose of this function is to determine —based on the outdoor temperature— which heating source can/will provide the space heating, either the Daikin indoor unit or an auxiliary boiler.

The field setting "bivalent operation" apply only the indoor unit space heating operation and the permission signal for the auxiliary boiler.

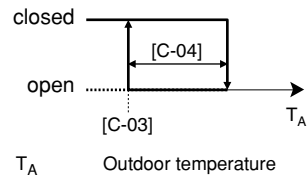
When the "bivalent operation" function is enabled, the indoor unit will stop automatically in space heating operation when the outdoor temperature drops below "bivalent ON temperature" and the permission signal for the auxiliary boiler becomes active.

When the bivalent operation function is disabled, the space heating by indoor unit is possible at all outdoor temperatures (see operation ranges) and permission signal for auxiliary boiler is always deactivated.

- [C-02] Bivalent operation status: defines whether bivalent operation is enabled (1) or disabled (0).
- [C-03] Bivalent ON temperature: defines the outdoor temperature below which the permission signal for the auxiliary boiler will be active (closed, KCR on EKR1HB) and space heating by indoor unit will be stopped.

- [C-04] Bivalent hysteresis: defines the temperature difference between bivalent ON temperature and bivalent OFF temperature.

Permission signal X1–X2 (EKR1HB)



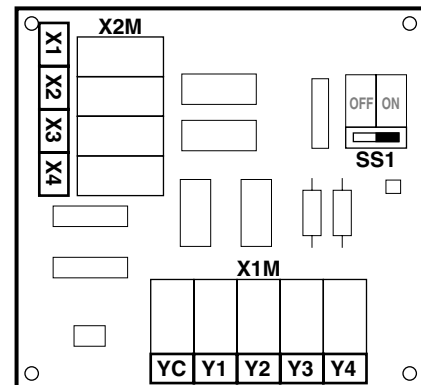
CAUTION

Make sure to observe all rules mentioned in application 5 when bivalent operation function is enabled.

Daikin shall not be held liable for any damage resulting from failure to observe this rule.



- In case the outdoor unit is single phase, the combination of setting [4-03]=0/2 with bivalent operation at low outdoor temperature can result in domestic hot water shortage.
- The bivalent operation function has no impact on the domestic water heating mode. The domestic hot water is still and only heated by the indoor unit.
- The permission signal for the auxiliary boiler is located on the EKR1HB (digital I/O PCB). When it is activated, the contact X1, X2 is closed and open when it is deactivated. See figure for the schematic location of this contact.



[D] Benefit kWh rate power supply/Local shift value weather dependent

Benefit kWh rate power supply

- [D-00] Switching off heaters: Defines which heaters are switched off when the benefit kWh rate signal of the electricity company is received.

If [D-01]=1 or 2 and the benefit kWh rate signal of the electricity company is received, following devices will be switched off:

[D-00]	Compressor	Back up heater	Booster heater
0 (default)	Forced off	Forced off	Forced off
1	Forced off	Forced off	Permitted
2	Forced off	Permitted	Forced off
3	Forced off	Permitted	Permitted



[D-00] settings 1, 2 and 3 are only meaningful if the benefit kWh rate power supply is of the type that power supply is not interrupted,

- [D-01] Unit connection to benefit kWh rate power supply: Defines whether or not the outdoor unit is connected to a benefit kWh rate power supply.

If [D-01]=0, the unit is connected to a normal power supply (default value).

If [D-01]=1 or 2, the unit is connected to a benefit kWh rate power supply. In this case the wiring requires specific installation like explained in "Connection to a benefit kWh rate power supply" on page 19.

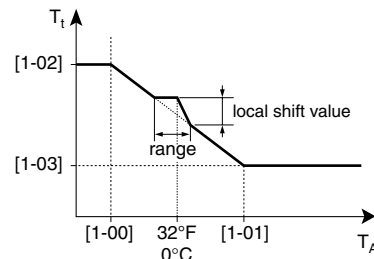
When parameter [D-01]=1 at the moment that the benefit kWh rate signal is sent by the electricity company, that contact will open and the unit will go in forced off mode⁽¹⁾.

When parameter [D-01]=2 at the moment that the benefit kWh rate signal is sent by the electricity company, that contact will close and the unit will go in forced off mode⁽²⁾.

Local shift value weather dependent

The local shift value weather dependent field setting is only relevant in case weather dependent set point (see field setting "[1] Weather dependent set point (heating operation only)" on page 25) is selected.

- [D-03] Local shift value weather dependent: determines the shift value of the weather dependent set point around outdoor temperature of 32°F (0°C).



T_t Target water temperature

T_A Outdoor temperature

range Range

local shift value Local shift value

[1-00], [1-01], [1-02], [1-03] Applicable field setting of the weather dependent set point [1]

[D-03]	Outdoor temperature range (T_A)	Local shift value
0	—	—
1	28.4°F~35.6°F -2°C~2°C	2
2		4
3	24.8°F~39.2°F -4°C~4°C	2
4		4

[E] Unit information readout

- [E-00] Readout of the software version (example: 23)
- [E-01] Readout of the EEPROM version (example: 23)
- [E-02] Readout of the unit model identification (example: 11)
- [E-03] Readout of the liquid refrigerant temperature
- [E-04] Readout of the inlet water temperature

NOTE



[E-03] and [E-04] readouts are not permanently refreshed. Temperature readouts are updated after looping through the field setting first codes again only.

(1) When the signal is released again, the voltage free contact will close and the unit will restart operation. It is therefore important to leave the auto restart function enabled. Refer to "[3] Auto restart" on page 26.

(2) When the signal is released again, the voltage free contact will open and the unit will restart operation. It is therefore important to leave the auto restart function enabled. Refer to "[3] Auto restart" on page 26.

[F] Option setup

Pump operation

The pump operation field setting apply to the pump operation logic only when DIP switch SS2-3 is OFF.

When the pump operation function is disabled the pump will stop if the outdoor temperature is higher than the value set by [4-02] or if the outdoor temperature drops below the value set by [F-01]. When the pump operation is enabled, the pump operation is possible at all outdoor temperatures. Refer to "Pump operation configuration" on page 23.

- [F-00] Pump operation: specifies whether the pump operation function is enabled (1) or disabled (0).

Space cooling permission

- [F-01] Space cooling permission temperature: defines the outdoor temperature below which space cooling is turned off.



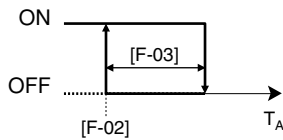
This function is only valid for EKHBX when space cooling is selected.

Bottom plate heater control

Applies only to installation with an outdoor unit ERLQ or in case the option bottom plate heater kit is installed.

- [F-02] Bottom plate heater ON temperature: defines the outdoor temperature below which the bottom plate heater will be activated by indoor unit in order to prevent ice build-up in the bottom plate of the outdoor unit at lower outdoor temperatures.
- [F-03] Bottom plate heater hysteresis: defines the temperature difference between bottom plate heater ON temperature and the bottom plate heater OFF temperature.

Bottom plate heater



T_A Outdoor temperature



CAUTION

The bottom plate heater is controlled via X14A. Make sure [F-04] is correctly set.

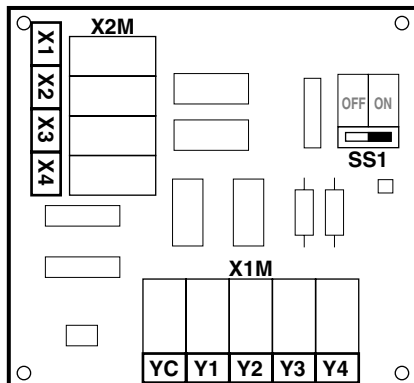
Functionality of X14A

- [F-04] Functionality of X14A: specifies if the logic of X14A follows the output signal for the solar kit model (EKSOLHW) EKHBH/X_AA/AB (0) or if the logic of X14A follows the output for the bottom plate heater (1).

NOTE



Independent from field setting [F-04], the contact X3-X4 (EKRP1HB) follows the logic of the output signal for the solar kit model (EKSOLHW). See figure below for the schematic location of this contact.



Field settings table



Temperature values displayed on the digital controller (user interface) are in °C.

Temperature values in °C are between brackets. Conversion from °C to °F is for information only.

First code	Second code	Setting name	Installer setting at variance with default value				Default value	Range	Step	Unit
			Date	Value	Date	Value				
0	User permission level									
	00	User permission level					3	2/3	1	—
1	Weather dependent set point									
	00	Low ambient temperature (Lo_A)					14 (-10)	-4~41 (-20~5)	1.8 (1)	°F (°C)
	01	High ambient temperature (Hi_A)					59 (15)	50~68 (10~20)	1.8 (1)	°F (°C)
	02	Set point at low ambient temperature (Lo_TI)					104 (40)	77~131 (25~55)	1.8 (1)	°F (°C)
	03	Set point at high ambient temperature (Hi_TI)					77 (25)	77~131 (25~55)	1.8 (1)	°F (°C)
2	Disinfection function									
	00	Operation interval					Fri	Mon~Sun, All	—	—
	01	Status					1 (ON)	0/1	—	—
	02	Start time					23:00	0:00~23:00	1:00	hour
	03	Set point					158 (70)	104~176 (40~80)	9 (5)	°F (°C)
	04	Interval					10	5~60	5	min
3	Auto restart									
	00	Status					0 (ON)	0/1	—	—
4	Backup/booster heater operation and space heating off temperature									
	00	Status					1 (ON)	0/1	—	—
	01	Priority					0 (OFF)	0/1/2	—	—
	02	Space heating off temperature					95 (35)	57.2~95 (14~35)	1.8 (1)	°F (°C)
	03	Booster heater operation					3	0/1/2/3	—	—
	04	Not applicable					2	Read only	—	—
5	Equilibrium temperature and space heating priority temperature									
	00	Equilibrium temperature status					1 (ON)	0/1	—	—
	01	Equilibrium temperature					32 (0)	5~95 (-15~35)	1.8 (1)	°F (°C)
	02	Space heating priority status					0 (OFF)	0/1	—	—
	03	Space heating priority temperature					32 (0)	5~68 (-15~20)	1.8 (1)	°F (°C)
	04	Set point correction for domestic hot water temperature					18 (10)	0~36 (0~20)	1.8 (1)	°F (°C)
6	DT for heat pump domestic water heating mode									
	00	Start					9 (5)	3.6~36 (2~20)	1.8 (1)	°F (°C)
	01	Stop					3.6 (2)	0~18 (0~10)	1.8 (1)	°F (°C)
	02	Not applicable					0	Read only	—	—

First code	Second code	Setting name	Installer setting at variance with default value				Default value	Range	Step	Unit
			Date	Value	Date	Value				
7	DT for booster heater and dual set point control									
	00	Domestic hot water step length					0	0~7.2 (0~4)	1.8 (1)	°F (°C)
	01	Hysteresis value booster heater					3.6 (2)	3.6~7.2 (2~40)	1.8 (1)	°F (°C)
	02	Dual set point control status					0	0/1	—	—
	03	Second set point heating					18 (10)	1.8~43.2 / 77~131 (1~24 / 25~55)	1.8 (1)	°F (°C)
	04	Second set point cooling					44.6 (7)	41~71.6 (5~22)	1.8 (1)	°F (°C)
8	Domestic water heating mode timer									
	00	Minimum running time					5	0~20	1	min
	01	Maximum running time					30	5~60	5	min
	02	Anti-recycling time					3	0~10	0.5	hour
	03	Booster heater delay time					50	20~95	5	min
	04	Additional running time at [4-02]/[F-01]					95	0~95	5	min
9	Cooling and heating set point ranges									
	00	Heating set point upper limit					131 (55)	98.6~131 (37~55)	1.8 (1)	°F (°C)
	01	Heating set point lower limit					77 (25)	59~98.6 (15~37)	1.8 (1)	°F (°C)
	02	Cooling set point upper limit					71.6 (22)	64.4~71.6 (18~22)	1.8 (1)	°F (°C)
	03	Cooling set point lower limit					41 (5)	41~64.4 (5~18)	1.8 (1)	°F (°C)
	04	Overshoot setting ^(a)					1.8 (1)	1.8~7.2 (1~4)	1.8 (1)	°F (°C)
A	Quiet mode									
	00	Quiet mode type					0	0/2	—	—
	01	Parameter 01					3	—	—	—
	02	Not applicable					1	Read only	—	—
	03	Not applicable					0	Read only	—	—
	04	Not applicable					0	Read only	—	—
b	Not applicable									
	00	Not applicable					0	Read only	—	—
	01	Not applicable					0	Read only	—	—
	02	Not applicable					0	Read only	—	—
	03	Not applicable					0	Read only	—	—
	04	Not applicable					0	Read only	—	—
C	Setup on EKR1HB digital I/O PCB									
	00	Solar priority mode setting					0	0/1	1	—
	01	Alarm output logic					0	0/1	—	—
	02	Bivalent operation status					0	0/1	—	—
	03	Bivalent ON temperature					32 (0)	-13~77 (-25~25)	1.8 (1)	°F (°C)
	04	Bivalent hysteresis					5.4 (3)	3.6~18 (2~10)	1.8 (1)	°F (°C)

First code	Second code	Setting name	Installer setting at variance with default value				Default value	Range	Step	Unit
			Date	Value	Date	Value				
D	Benefit kWh rate power supply/local shift value weather dependent									
	00	Switching off heaters					0	0/1/2/3	—	—
	01	Unit connection to benefit kWh rate power supply					0 (OFF)	0/1/2	—	—
	02	Not applicable. Do not change the default value.					0	—	—	—
	03	Local shift value weather dependent					0	0/1/2/3/4	—	—
E	Unit information readout									
	00	Software version					Read only	—	—	—
	01	EEPROM version					Read only	—	—	—
	02	Unit model identification					Read only	—	—	—
	03	Liquid refrigerant temperature					Read only	—	—	°F (°C)
	04	Inlet water temperature					Read only	—	—	°F (°C)
F	Option setup									
	00	Pump operation					0	0/1	—	—
	01	Space cooling permission temperature					68 (20)	50~95 (10~35)	1.8 (1)	°F (°C)
	02	Bottom plate heater ON temperature					37.4 (3)	37.4~50 (3~10)	1.8 (1)	°F (°C)
	03	Bottom plate heater hysteresis					9 (5)	3.6~9 (2~5)	1.8 (1)	°F (°C)
	04	Functionality of X14A					1	0/1	—	—

(a) Only possible to modify the first 3 minutes after power ON.

TEST RUN AND FINAL CHECK


The installer is obliged to verify correct operation of the indoor and outdoor unit after installation.


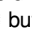
Final check

Before switching on the unit, read following recommendations:

- When the complete installation and all necessary settings have been carried out, close all front panels of the unit and refit the indoor unit cover.
- The service panel of the switch box may only be opened by a licensed electrician for maintenance purposes.

Automatic test run

When the unit is put into operation (by pressing the  button) for the first time, the system will automatically perform a test run in cooling mode. The test run will take up to 3 minutes, during which no specific indication is given on the user interface.

During the automatic test run, it is important to ensure that the water temperature does not drop below 50°F (10°C), which might activate the freeze-up protection and thereby prevent the test run to finish. Should the water temperature drop below 50°F (10°C), press the  button so the  icon is displayed. This will activate the backup heater during the automatic test run and raise the water temperature sufficiently.

If the automatic test run has ended successfully, the system will automatically resume normal operation.

If there are misconnections or malfunctions, an error code will be displayed on the user interface. To resolve the error codes, see "Error codes" on page 41.

NOTE





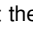
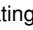
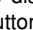
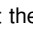
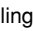
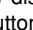
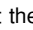
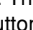
When the outdoor unit is put into pump down operation (see the outdoor unit installation manual), the automatic test run flag will be cleared. The next time the system is put into operation, the automatic test run will be executed again.


After finishing automatic test run or power ON/OFF, the compressor will operate in the selected operation mode and continue for certain time (set point on the remote controller is overruled during this operation).

Test run operation (manual)

If required, the installer can perform a manual test run operation at any time to check correct operation of cooling, heating and domestic water heating.


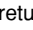
Procedure

- 1 Push the  button 4 times so the **TEST** icon will be displayed.
- 2 Depending on the indoor unit model, heating operation, cooling operation or both must be tested as follows (when no action is performed, the user interface will return to normal mode after 10 seconds or by pressing the  button once):
 - To test the heating operation push the  button so the  icon is displayed. To start the test run operation press the  button.
 - To test the cooling operation push the  button so the  icon is displayed. To start the test run operation press the  button.
 - To test the domestic water heating operation push the  button. The test run operation will start without pressing the  button.

- 3 The test run operation will end automatically after 30 minutes or when reaching the set temperature. The test run operation can be stopped manually by pressing the  button once. If there are misconnections or malfunctions, an error code will be displayed on the user interface. Otherwise, the user interface will return to normal operation.

- 4 To resolve the error codes, see "Error codes" on page 41.



To display the last resolved error code, push the  button 1 time. Push the  button again 4 times to return to normal mode.

NOTE



It is not possible to perform a test run if a forced operation from the outdoor unit is in progress. Should forced operation be started during a test run, the test run will be aborted.

MAINTENANCE AND SERVICE

In order to ensure optimal availability of the unit, a number of checks and inspections on the unit and the field wiring have to be carried out at regular intervals.

This maintenance should be carried out by your local technician.

To execute the maintenance activities as mentioned below, it is only required to remove the indoor unit cover. See "Opening the indoor unit" on page 9.

Maintenance activities



DANGER: ELECTRIC SHOCK



- Before carrying out any maintenance or repair activity, always switch off the circuit breaker on the supply panel, remove the fuses (or switch off the circuit breakers) or open protection devices of the unit.
- Make sure that before starting any maintenance or repair activity, also the power supply to the outdoor unit is switched off.
- Do not touch live parts for 10 minutes after the power supply is turned off because of high voltage risk.
- The heater of the compressor may operate even in stop mode.
- Please note that some sections of the electric component box are hot.
- Make sure you do not touch a conductive section.
- Do not rinse the indoor unit. This may cause electric shocks or fire.
- When service panels are removed, live parts can be easily touched by accident.
Never leave the unit unattended during installation or servicing when service panel is removed.



Play it safe!

Touch a metal part by hand (such as the stop valve) in order to eliminate static electricity and to protect the PCB before performing service.



DANGER

Do not touch water pipes during and immediately after operation as the pipes may be hot. Your hand may suffer burns. To avoid injury, give the piping time to return to normal temperature or be sure to wear proper gloves.



WARNING

- Do not touch the refrigerant pipes during and immediately after operation as the refrigerant pipes may be hot or cold, depending on the condition of the refrigerant flowing through the refrigerant piping, compressor, and other refrigerant cycle parts. Your hands may suffer burns or frostbite if you touch the refrigerant pipes. To avoid injury, give the pipes time to return to normal temperature or, if you must touch them, be sure to wear proper gloves.
- Do not touch the internal parts (pump, backup heater, etc.) during and immediately after operation.
Your hands may suffer burns if you touch the internal parts. To avoid injury, give the internal parts time to return to normal temperature or, if you must touch them, be sure to wear proper gloves.

The described checks must be executed at least **once a year**.

- 1 Water pressure
Check if the water pressure is above 14.5 psi (1 bar). If necessary add water.
- 2 Water filter
Clean the water filter.
- 3 Water pressure relief valve
Check for correct operation of the pressure relief valve by turning the red knob on the valve counter-clockwise:
 - If you do not hear a clacking sound, contact your local dealer.
 - In case the water keeps running out of the unit, close both the water inlet and outlet shut-off valves first and then contact your local dealer.
- 4 Pressure relief valve hose
Check that the pressure relief valve hose is positioned appropriately to drain the water.
If the (optional) drain pan kit is installed, make sure that the pressure relief valve hose end is positioned in the drain pan.
- 5 Backup heater vessel insulation cover
Check that the backup heater insulation cover is fastened tightly around the backup heater vessel.
- 6 Domestic hot water tank pressure relief valve (field supply)
Applies only to installations with a domestic hot water tank.
Check for correct operation of the pressure relief valve on the domestic hot water tank.
- 7 Domestic hot water tank booster heater
Applies only to installations with a domestic hot water tank.
It is advisable to remove lime buildup on the booster heater to extend its life span, especially in regions with hard water. To do so, drain the domestic hot water tank, remove the booster heater from the domestic hot water tank and immerse in a bucket (or similar) with lime-removing product for 24 hours.
- 8 Indoor unit switch box
 - Carry out a thorough visual inspection of the switch box and look for obvious defects such as loose connections or defective wiring.
 - Check for correct operation of contactors K1M, K2M, K3M, K5M (applications with domestic hot water tank only) and K4M by use of an ohmmeter. All contacts of these contactors must be in open position.

TROUBLESHOOTING

This section provides useful information for diagnosing and correcting certain troubles which may occur in the unit.

This troubleshooting and related corrective actions may only be carried out by your local technician.

General guidelines

Before starting the troubleshooting procedure, carry out a thorough visual inspection of the unit and look for obvious defects such as loose connections or defective wiring.



DANGER

When carrying out an inspection on the switch box of the unit, always make sure that the main switch of the unit is switched off.

When a safety device was activated, stop the unit and find out why the safety device was activated before resetting it. Under no circumstances safety devices may be bridged or changed to a value other than the factory setting. If the cause of the problem cannot be found, call your local dealer.

If the pressure relief valve is not working correctly and is to be replaced, always reconnect the flexible hose attached to the pressure relief valve, to avoid water dripping out of the unit!

NOTE



For problems related to the optional solar kit for domestic water heating, refer to the troubleshooting in the installation manual of that kit.



DANGER

Do not touch water pipes during and immediately after operation as the pipes may be hot. Your hand may suffer burns. To avoid injury, give the piping time to return to normal temperature or be sure to wear proper gloves.



WARNING

- Do not touch the refrigerant pipes during and immediately after operation as the refrigerant pipes may be hot or cold, depending on the condition of the refrigerant flowing through the refrigerant piping, compressor, and other refrigerant cycle parts. Your hands may suffer burns or frostbite if you touch the refrigerant pipes. To avoid injury, give the pipes time to return to normal temperature or, if you must touch them, be sure to wear proper gloves.
- Do not touch the internal parts (pump, backup heater, etc.) during and immediately after operation.
Your hands may suffer burns if you touch the internal parts. To avoid injury, give the internal parts time to return to normal temperature or, if you must touch them, be sure to wear proper gloves.

General symptoms

Symptom 1: The unit is turned on (LED is lit) but the unit is not heating or cooling as expected

POSSIBLE CAUSES	CORRECTIVE ACTION
The temperature setting is not correct.	Check the controller set point.
The water flow is too low.	<ul style="list-style-type: none"> Check that all shut off valves of the water circuit are completely open. Check if the water filter needs cleaning. Make sure there is no air in the system (purge air). Check on the manometer that there is sufficient water pressure. The water pressure must be >14.5 psi (>1 bar) (water is cold). Check that the pump speed setting is on the highest speed. Make sure that the expansion vessel is not broken. Check that the resistance in the water circuit is not too high for the pump (refer to "Setting the pump speed" on page 24).
The water volume in the installation is too low.	Make sure that the water volume in the installation is above the minimum required value (refer to "Checking the water volume and expansion vessel pre-pressure" on page 14).

Symptom 2: The unit is turned on but the compressor is not starting (space heating or domestic water heating)

POSSIBLE CAUSES	CORRECTIVE ACTION
The unit must start up out of its operation range (the water temperature is too low).	<p>In case of low water temperature, the system utilizes the backup heater to reach the minimum water temperature first (59°F)(15°C).</p> <ul style="list-style-type: none"> Check that the backup heater power supply is correct. Check that the backup heater thermal fuse is closed. Check that the backup heater thermal protector is not activated. Check that the backup heater contactors are not broken.
The benefit kWh rate power supply settings and electrical connections do not match.	If [D-01]=1 or 2, the wiring requires specific installation like illustrated in "Connection to a benefit kWh rate power supply" on page 19. Other correctly installed configurations are possible, but are to be specific for the type of benefit kWh rate power supply type at this specific site.
The benefit kWh rate signal was sent by the electricity company.	Wait for the power to return.

Symptom 3: Pump is making noise (cavitation)

POSSIBLE CAUSES	CORRECTIVE ACTION
There is air in the system.	Purge air.
Water pressure at pump inlet is too low.	<ul style="list-style-type: none"> Check on the manometer that there is sufficient water pressure. The water pressure must be >14.5 psi (>1 bar) (water is cold). Check that the manometer is not broken. Check that the expansion vessel is not broken. Check that the setting of the pre-pressure of the expansion vessel is correct (refer to "Setting the pre-pressure of the expansion vessel" on page 15).

Symptom 4: The water pressure relief valve opens

POSSIBLE CAUSES	CORRECTIVE ACTION
The expansion vessel is broken.	Replace the expansion vessel.
The water volume in the installation is too high.	Make sure that the water volume in the installation is under the maximum allowed value (refer to "Checking the water volume and expansion vessel pre-pressure" on page 14).

Symptom 5: The water pressure relief valve leaks

POSSIBLE CAUSES	CORRECTIVE ACTION
Dirt is blocking the water pressure relief valve outlet.	<p>Check for correct operation of the pressure relief valve by turning the red knob on the valve counter clockwise:</p> <ul style="list-style-type: none"> If you do not hear a clacking sound, contact your local dealer. In case the water keeps running out of the unit, close both the water inlet and outlet shut-off valves first and then contact your local dealer.

Symptom 6: The user interface displays "NOT AVAILABLE" when pressing certain buttons

POSSIBLE CAUSES	CORRECTIVE ACTION
The current permission level is set to a level that prevents using the pressed button.	Change the "user permission level" field setting ([0-00], see "Field settings" on page 25).

Symptom 7: Space heating capacity shortage at low outdoor temperatures





POSSIBLE CAUSES	CORRECTIVE ACTION
Backup heater operation is not activated.	<p>Check that the "backup heater operation status" field setting [4-00] is turned on, see "Field settings" on page 25.</p> <p>Check whether or not the thermal protector of the backup heater has been activated (refer to Main components, "Backup heater thermal protector" on page 10 for location of the reset button).</p> <p>Check if booster heater and backup heater are configured to operate simultaneously (field setting [4-01], see "Field settings" on page 25)</p> <p>Check whether or not the thermal fuse of the backup heater is blown (refer to "Main components", "Backup heater thermal fuse" on page 10 for location of the reset button).</p>
The backup heater equilibrium temperature has not been configured correctly.	Raise the 'equilibrium temperature' field setting [5-01] to activate backup heater operation at a higher outdoor temperature.
Too much heat pump capacity is used for heating domestic hot water (applies only to installations with a domestic hot water tank).	<p>Check that the 'space heating priority temperature' field settings are configured appropriately:</p> <ul style="list-style-type: none"> Make sure that the 'space heating priority status' field setting [5-02] is enabled. Raise the 'space heating priority temperature' field setting [5-03] to activate booster heater operation at a higher outdoor temperature.

Error codes

When a safety device is activated, the user interface LED will be flashing, and an error code will be displayed.

A list of all errors and corrective actions can be found in the table below.

Reset the safety by turning the unit OFF and back ON.

Instruction to turn the unit OFF			
User interface mode (heating/cooling )	Domestic water heating mode 	Push the  button	Push the  button
ON	ON	1 time	1 time
ON	OFF	1 time	—
OFF	ON	—	1 time
OFF	OFF	—	—

In case this procedure for resetting the safety is not successful, contact your local dealer.

Error code	Failure cause	Corrective action
B0	Inlet water temperature thermistor failure (inlet water thermistor broken)	Contact your local dealer.
B1	Outlet water temperature thermistor failure (outlet water temperature sensor broken)	Contact your local dealer.
B9	Water heat exchanger freeze-up failure (due to water flow too low)	Refer to error code 7H.
	Water heat exchanger freeze-up failure (due to refrigerant shortage)	Contact your local dealer.
7H	Flow failure (water flow too low or no water flow at all, minimum required water flow is 4.23 gallons/min (16 l/min))	<ul style="list-style-type: none"> Check that all shut off valves of the water circuit are completely open. Check if the water filter needs cleaning. Check that the unit is operating within its operating range (refer to "Technical specifications" on page 43). Also refer to "Charging water" on page 16. Make sure there is no air in the system (purge air). Check on the manometer that there is sufficient water pressure. The water pressure must be >14.5 psi (>1 bar) (water is cold). Check that the pump speed setting is on the highest speed. Make sure that the expansion vessel is not broken. Check that the resistance in the water circuit is not too high for the pump (refer to "Setting the pump speed" on page 24). If this error occurs at defrost operation (during space heating or domestic water heating), make sure that the backup heater power supply is wired correctly and that fuses are not blown (or circuit breaker is not switched off). Check that the pump fuse (FU2) is not blown.
BH	Outlet water temperature of indoor unit too high (>149°F)(>65°C)	<ul style="list-style-type: none"> Check that the contactor of the electric backup heater is not short circuited. Check that the outlet water thermistor is giving the correct read out.
R1	Indoor unit PCB defective	Contact your local dealer.
R5	Too low (during cooling operation) or too high (during heating operation) refrigerant temperature (measured by R3T)	Contact your local dealer.

Error code	Failure cause	Corrective action
RR	Backup heater thermal protector is open	Reset the thermal protector by pressing the reset button (refer to "Main components" on page 10 for location of the reset button)
	Check the reset button of the thermal protector. If both the thermal protector and the controller are reset, but the RR error code persists, the backup heater thermal fuse has blown.	Contact your local dealer.
RC	Booster heater thermal protector is open (applies only to installations with a domestic hot water tank)	Reset the thermal protector
E0	Flow switch failure (flow switch remains closed while pump is stopped)	Check that the flow switch is not clogged with dirt.
E4	Heat exchanger thermistor failure (heat exchanger temperature sensor broken)	Contact your local dealer.
E1	Outdoor unit PCB defective	Contact your local dealer.
E3	Abnormal high pressure	Check that the unit is operating within its operating range (refer to "Technical specifications" on page 43). Contact your local dealer.
E4	Actuation of low pressure sensor	Check that the unit is operating within its operating range (refer to "Technical specifications" on page 43). Contact your local dealer.
E5	Overload activation of compressor	Check that the unit is operating within its operating range (refer to "Technical specifications" on page 43). Contact your local dealer.
E7	Fan lock failure (fan is locked)	Check if the fan is not obstructed by dirt. If the fan is not obstructed, contact your local dealer.
E9	Malfunxion of electronic expansion valve	Contact your local dealer.
EC	Domestic hot water temperature too high (>192.2°F)(>89°C)	<ul style="list-style-type: none"> Check that the contactor of the electric booster heater is not short circuited. Check that the domestic hot water thermistor is giving the correct read out.
F3	Too high discharge temperature (e.g. due to outdoor coil blockage)	Clean the outdoor coil. If the coil is clean, contact your local dealer.
H3	Malfunxioning HPS system	Contact your local dealer.
H9	Outdoor temperature thermistor failure (outdoor thermistor is broken)	Contact your local dealer.
HC	Domestic hot water tank thermistor failure	Contact your local dealer.
J1	Malfunxion of pressure sensor	Contact your local dealer.
J3	Discharge pipe thermistor failure	Contact your local dealer.
J5	Suction pipe outdoor unit thermistor failure	Contact your local dealer.
J6	Aircoil thermistor frost detection failure	Contact your local dealer.
J7	Aircoil thermistor mean temperature failure	Contact your local dealer.
J8	Liquid pipe outdoor unit thermistor failure	Contact your local dealer.
L4	Electric component failure	Contact your local dealer.
L5	Electric component failure	Contact your local dealer.
L8	Electric component failure	Contact your local dealer.
L9	Electric component failure	Contact your local dealer.
LC	Electric component failure	Contact your local dealer.
P1	PCB failure	Contact your local dealer.
P4	Electric component failure	Contact your local dealer.

Error code	Failure cause	Corrective action
PJ	Failure of capacity setting	Contact your local dealer.
U0	Refrigerant failure (due to refrigerant leak)	Contact your local dealer.
U2	Main circuit voltage failure	Contact your local dealer.
U4	Communication failure	Contact your local dealer.
U5	Communication failure	Contact your local dealer.
U7	Communication failure	Contact your local dealer.
U8	Communication failure	Contact your local dealer.

TECHNICAL SPECIFICATIONS

General

		Heating/cooling models (EKHBX)	Heating only models (EKHBH)
Nominal capacity			
• cooling		Refer to the Technical Data	
• heating		Refer to the Technical Data	
Dimensions H x W x D	(mm)	922 x 502 x 361	922 x 502 x 361
	(inch)	36.3 x 19.8 x 14.2	36.3 x 19.8 x 14.2
Weight			
• machine weight	(kg)	55	55
	(lbs)	123	123
• operation weight	(kg)	69	69
	(lbs)	152	152
Connections			
• water inlet/outlet		1-1/4" MBSP ^(a)	1-1/4" MBSP ^(a)
• water drain		hose nipple	hose nipple
• refrigerant liquid side		Ø3/8 inch (Ø9.5 mm)	Ø3/8 inch (Ø9.5 mm)
• refrigerant gas side		Ø5/8 inch (Ø15.9 mm)	Ø5/8 inch (Ø15.9 mm)
Expansion vessel			
• volume	(l)	10	10
	(gallons)	2.6	2.6
• maximum working pressure (MWP)	(bar)	3	3
	(psi)	43.5	43.5
Pump			
• type		water cooled	water cooled
• no. of speed		3	3
Sound pressure level		Refer to technical data	Refer to technical data
Internal water volume	(l)	5.5	5.5
	(gallons)	1.45	1.45
Pressure relief valve water circuit	(bar)	3	3
	(psi)	43.5	43.5
Operation range - water side			
• heating	(°F)	+59~+131	+59~+131
	(°C)	+15~+55	+15~+55
• cooling	(°F)	+41~+71.6	—
	(°C)	+5~+22	—
Operation range - air side			
• heating	(°F)	-4~+95	-4~+95
	(°C)	-20~+35	-20~+35
• cooling	(°F)	+50~+114.8	—
	(°C)	+10~+46	—
• domestic hot water by heat pump	(°F)	-4~+95	-4~+95
	(°C)	-20~+35	-20~+35

(a) MBSP = Male British Standard Pipe

Electrical specifications

		Heating/cooling models (EKHBX)	Heating only models (EKHBH)
Standard unit (power supply via outdoor unit)			
• power supply		230 V 50 Hz 1P	
Backup heater			
• power supply		See "Connection of the backup heater power supply" on page 18	
• maximum running current		See "Connection of the backup heater power supply" on page 18	

INDEX

	Page
Introduction	1
Informations générales	1
Portée de ce manuel.....	2
Identification du modèle.....	2
Accessoires	2
Accessoires fournis avec l'unité intérieure.....	2
Considérations de sécurité.....	3
Exemples d'application typiques	4
Application 1	4
Application 2	4
Application 3	5
Application 4	6
Application 5	6
Application 6	8
Aperçu de l'unité intérieure	9
Ouverture de l'unité intérieure	9
Principaux composants	10
Composants principaux du coffret électrique	11
Schéma fonctionnel	12
Installation de l'unité intérieure.....	13
Sélection d'un lieu d'installation	13
Dimensions et espace de service.....	13
Inspection, manipulation et déballage de l'unité	13
Montage de l'unité intérieure	14
Installation du kit de bac de purge EKHBDP (uniquement pour les modèles EKHBX)	14
Tuyauterie de réfrigérant.....	14
Tuyauterie d'eau	15
Remplissage d'eau	17
Isolation des tuyaux	17
Câblage à réaliser.....	17
Mise en route et configuration.....	23
Aperçu des réglages de microcommutateur	23
Configuration de l'installation du thermostat d'ambiance	23
Configuration du fonctionnement de la pompe	24
Configuration de pose du ballon d'eau chaude domestique	24
Mise en route initiale à faibles températures extérieures.....	24
Vérifications avant utilisation	24
Mise sous tension de l'unité intérieure.....	25
Réglage de la vitesse de pompe	25
Réglages sur place	26
Tableau de réglage sur place.....	36
Test et vérification finale	39
Vérification finale	39
Essai de fonctionnement automatique.....	39
Test de fonctionnement (manuel)	39
Maintenance et entretien.....	40
Dépannage.....	41
Directives générales	41
Symptômes généraux.....	41
Codes d'erreur	42
Spécifications techniques.....	44
Généralités	44
Spécifications électriques	44



LIRE ATTENTIVEMENT CES INSTRUCTIONS AVANT L'INSTALLATION. CONSERVER CE MANUEL À PROXIMITÉ POUR UNE UTILISATION ULTÉRIEURE.

UNE INSTALLATION OU UNE FIXATION INCORRECTE DE L'ÉQUIPEMENT OU DES ACCESSOIRES PEUT PROVOQUER UNE ÉLECTROCUTION, UN COURT-CIRCUIT, DES FUITES, UN INCENDIE OU ENDOMMAGER L'ÉQUIPEMENT. VEILLER À N'UTILISER QUE DES ACCESSOIRES FABRIQUÉS PAR DAIKIN, SPÉCIALEMENT CONÇUS POUR ÊTRE UTILISÉS AVEC CET ÉQUIPEMENT ET LES FAIRE INSTALLER PAR UN PROFESSIONNEL.

TOUTES LES ACTIVITÉS DÉCRITES DANS CE MANUEL SERONT EFFECTUÉES PAR UN TECHNICIEN AGRÉÉ.

VEILLER À PORTER L'ÉQUIPEMENT DE PROTECTION INDIVIDUELLE ADÉQUAT (GANTS DE PROTECTION, LUNETTES DE SÉCURITÉ, ...) LORS DE L'INSTALLATION, DE LA MAINTENANCE OU DE L'ENTRETIEN DE L'UNITÉ.

EN CAS DE DOUTE QUANT AUX PROCÉDURES D'INSTALLATION OU D'UTILISATION, PRENDRE TOUJOURS CONTACT AVEC VOTRE DISTRIBUTEUR DAIKIN POUR TOUT CONSEIL ET INFORMATION.

L'UNITÉ DÉCRITE DANS CE MANUEL EST CONÇUE POUR UNE INSTALLATION À L'INTÉRIEUR UNIQUEMENT ET POUR DES TEMPÉRATURES AMBIANTES ALLANT DE 39°F~95°F (4°C~35°C).

Le texte anglais correspond aux instructions d'origine. Les autres langues sont les traductions des instructions d'origine.

INTRODUCTION

Informations générales

Cette unité est la partie intérieure des pompes à chaleur air-eau ERLQ. Ces unités sont conçues pour être montées au mur à l'intérieur. Voir "Sélection d'un lieu d'installation" à la page 13. Les unités peuvent être combinées aux ventilo-convecteurs Daikin, à des applications de chauffage du sol, des radiateurs basse température, des applications de chauffage d'eau domestique Daikin et le kit solaire pour applications de chauffage d'eau domestique.

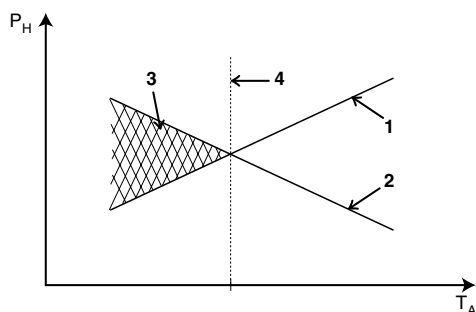
Unités de chauffage/refroidissement et unités de chauffage uniquement

La gamme des unités consiste en deux versions principales: une version à chauffage/refroidissement (EKHBX) et une version à chauffage uniquement (EKHBH).

Ces deux versions sont disponibles avec un chauffage d'appoint intégré pour une capacité de chauffage supplémentaire en présence de températures extérieures froides. Le chauffage d'appoint tient également lieu de dispositif de secours en cas de dysfonctionnement de l'unité extérieure. Les modèles de chauffage d'appoint sont disponibles pour une capacité de chauffage de 3 et 6 kW en fonction de la capacité de chauffage.

Modèle d'unité intérieure	Capacité du chauffage d'appoint	Tension nominale du chauffage d'appoint
EKHB*054BA3VJU	3 kW	1x 230 V
EKHB*054BA6VJU	6 kW	1x 230 V

REMARQUE Une unité extérieure ERLQ0*BA ne peut être raccordée qu'à une unité intérieure EKHBH/X054BA (le chauffage de fond de bac de l'unité extérieure doit être contrôlé par l'unité intérieure).



- 1 Capacité de la pompe à chaleur
 - 2 Capacité de chauffage requise (en fonction du site)
 - 3 Capacité de chauffage supplémentaire fournie par le chauffage d'appoint
 - 4 Température d'équilibre (peut être réglée via l'interface utilisateur, se reporter à "Réglages sur place" à la page 26)
- T_A Température ambiante (extérieure)
 P_H Capacité de chauffage

Ballon d'eau chaude domestique (option)

Un ballon d'eau chaude domestique EKHW* en option avec dispositif de surchauffage intégré de 3 kW peut être raccordé à l'unité intérieure. Le ballon d'eau chaude domestique est disponible en deux tailles: 50 et 80 gallons (200 et 300 litres). Se reporter au manuel d'installation du ballon d'eau chaude domestique pour plus de détails.

Kit de bac de purge (option)

Pour les versions de refroidissement/chauffage (EKHBX), il est nécessaire d'installer le kit de bac de purge EKHBDBP.

Pour plus d'informations concernant le kit de bac de purge, se reporter à "Installation du kit de bac de purge EKHBDBP (uniquement pour les modèles EKHBX)" à la page 14.

Kit solaire pour ballon d'eau chaude domestique (option)

Pour plus d'informations concernant le kit solaire EKSOLHW, se reporter au manuel d'installation de ce kit.

Carte PCB E/S (option)

Une carte de circuits imprimés E/S numérique EKRP1HB (option) peut être raccordée à l'unité intérieure et permet:

- sortie d'alarme distante
- sortie MARCHE/ARRÊT de chauffage/refroidissement
- mode bivalent (signal de permission pour la chaudière auxiliaire)

Se reporter au manuel d'utilisation de l'unité intérieure et au manuel d'installation de la carte E/S numérique pour plus d'informations.

Se reporter au schéma de câblage ou au schéma de raccordement pour brancher cette carte PCB à l'unité.

Kit thermostatique à distance (option)

Un thermostat d'ambiance en option EKRTWA peut être connecté à l'unité intérieure. Prière de se référer au manuel d'installation du thermostat d'ambiance pour plus d'informations.

Raccordement à une alimentation électrique à tarif préférentiel

Cet équipement autorise une connexion à des systèmes d'alimentation électrique avec tarif réduit. Le contrôle complet de l'unité restera possible uniquement dans le cas où l'alimentation électrique à tarif réduit est de type à alimentation non interrompue. Se reporter à "Raccordement à une alimentation électrique à tarif réduit" à la page 21 pour plus de détails.

Portée de ce manuel

Ce manuel d'installation décrit les procédures de manipulation, d'installation et de raccordement de tous les modèles d'unité intérieure EKHBH/X.

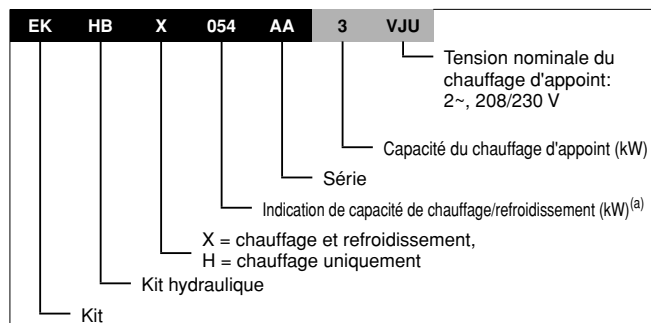
REMARQUE L'installation de la pompe à chaleur ERLQ à l'extérieur est décrite dans le manuel d'installation de l'unité extérieure.



L'utilisation de l'unité intérieure est décrite dans le manuel d'utilisation de l'unité intérieure.

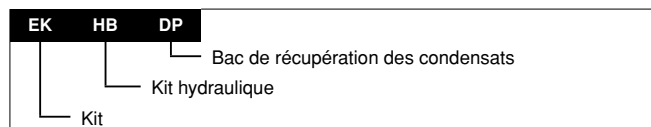
Identification du modèle

Unité intérieure



(a) Pour connaître les valeurs exactes, se reporter à "Spécifications techniques" à la page 44.

Kit de bac de purge (option)



ACCESSOIRES

Accessoires fournis avec l'unité intérieure

Voir figure 1

- 1 Manuel d'installation
- 2 Manuel d'utilisation
- 3 Vanne d'arrêt
- 4 Etiquette de schéma de câblage (intérieur du couvercle de l'unité intérieure)
- 5 Vis de fixation de couvercle d'unité intérieure
- 6 Support de fixation au mur
- 7 Rondelle en nylon

CONSIDÉRATIONS DE SÉCURITÉ

Nous mentionnons ici quatre types de précautions à prendre. Elles concernent toutes des sujets importants, prière donc de les suivre attentivement.

Signification des symboles **DANGER**, **AVERTISSEMENT**, **ATTENTION** et **REMARQUE**.



DANGER

Indique une situation dangereuse qui, si elle n'est pas évitée, entraînera la mort ou des blessures graves.

AVERTISSEMENT

Indique une situation potentiellement dangereuse qui, si elle n'est pas évitée, peut entraîner la mort ou des blessures graves.

ATTENTION

Indique une situation potentiellement dangereuse qui, si elle n'est pas évitée, pourrait entraîner des blessures mineures ou modérées. Elle peut également servir pour signaler des pratiques peu sûres.

REMARQUE

Indique une situation qui pourrait entraîner des accidents avec dommages aux équipements ou biens uniquement.

Danger

- Avant de toucher les éléments électriques, mettre l'interrupteur de l'alimentation électrique sur OFF.
- Lorsque les panneaux d'entretien sont retirés, des pièces nues peuvent facilement être touchées par accident.
Ne jamais laisser l'appareil sans surveillance pendant l'installation ou l'entretien quand le panneau d'entretien est retiré.
- Ne pas toucher les tuyaux d'eau pendant et immédiatement après une utilisation car ces tuyaux peuvent être chauds. Il y a un risque de brûlures aux mains. Pour éviter des blessures, laisser le temps aux tuyaux de revenir à une température normale ou veiller à porter des gants adéquats.
- Ne pas toucher d'interrupteur avec des doigts mouillés. Il y a un risque de choc électrique.
- Avant de toucher des éléments électriques, couper l'alimentation générale.


Avertissement

- Déchirer et jeter les sacs d'emballage en plastique de sorte que les enfants ne puissent pas s'en servir pour jouer.
Les enfants jouant avec des sacs en plastique risquent la mort par suffocation.
- Éliminer les matériaux d'emballage en toute sécurité. Les matériaux d'emballage, tels que les clous et d'autres pièces en métal ou en bois, peuvent provoquer des coupures ou d'autres blessures.
- Ne jamais toucher directement tout réfrigérant s'écoulant accidentellement. Il y a un risque de blessures graves dues aux gelures.
- Ne pas toucher les tuyaux de réfrigérant pendant et immédiatement après une utilisation car les tuyaux de réfrigérant peuvent être chauds ou froids en fonction de l'état du réfrigérant traversant la tuyauterie, le compresseur et d'autres parties du circuit du réfrigérant. Il est possible de se brûler ou de se gercer les mains en cas de contact avec les tuyaux de réfrigérant. Pour éviter des blessures, laisser le temps aux tuyaux de revenir à une température normale ou, s'il est indispensable de les toucher, veiller à porter des gants adéquats.

- Ne pas toucher les parties internes (pompe, chauffage d'appoint, etc.) pendant et juste après leur fonctionnement.

Il est possible de se brûler les mains en cas de contact avec les parties internes. Pour éviter des blessures, laisser le temps aux pièces internes de revenir à une température normale ou, s'il est indispensable de les toucher, veiller à porter des gants adéquats.

Attention

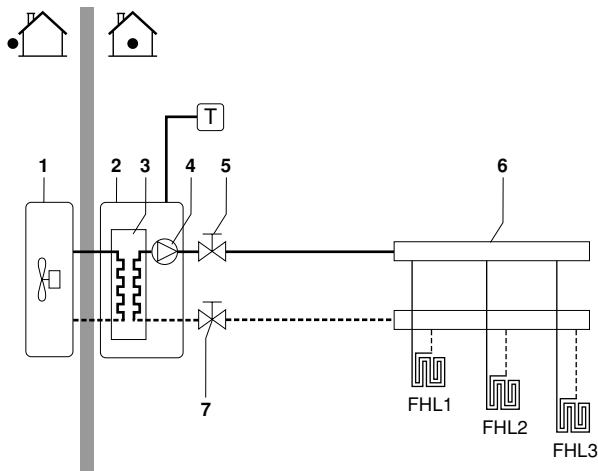
- Relier l'unité à la terre.
La résistance de mise à la terre doit être conforme à la législation et à la réglementation locales.
Ne pas connecter le câble de mise à la terre aux tuyauteries de gaz ou d'eau, câble de mise à la terre de tiges de paratonnerre ou de téléphone. 
Une mise à la terre incomplète peut provoquer des électrocutions.
- Tuyau de gaz.
Un incendie ou une explosion peut se produire en cas de fuite de gaz.
- Tuyau d'eau.
Des tubes en vinyle dur ne sont pas des mises à la terre efficaces.
- Câbles de mise à la terre des barres de paratonnerre et téléphone.
Le potentiel électrique peut augmenter de façon anormale s'il est touché par un boulon de paratonnerre.
- Installer le fil électrique à au moins 3,28 ft (1 mètre) des télévisions ou radios pour éviter les interférences d'images ou parasites.
(Suivant les ondes radio, une distance de 3,28 ft (1 mètre) peut ne pas être suffisante pour éliminer les interférences).
- Ne pas rincer l'unité. Cela pourrait provoquer un choc électrique ou un incendie.
- Ne pas installer l'unité dans les endroits suivants:
 - Quand il y a un brouillard d'huile minérale, vaporiser de l'huile ou de la vapeur.
Les pièces en plastique peuvent se détériorer et peuvent tomber ou provoquer des fuites d'eau.
 - Où du gaz corrosif, comme l'acide sulfurique, est produit.
La corrosion, des tuyauteries en cuivre ou des parties soudées peut provoquer des fuites du réfrigérant.
 - Où une machine émet des ondes électromagnétiques.
Les ondes électromagnétiques peuvent déranger le système de contrôle et provoquer un mauvais fonctionnement de l'équipement.
 - Endroit où des fuites de gaz inflammables peuvent se produire, où des fibres de carbone ou de la poussière pouvant détonner sont en suspension dans l'air ou où des gaz inflammables volatiles comme le dissolvant ou l'essence sont manipulés.
Ces types de gaz pourraient provoquer un incendie.
 - Endroits où l'air contient des niveaux élevés de sel.
 - Où la tension fluctue beaucoup comme dans les usines.
 - Dans les véhicules ou les navires.
 - Où des vapeurs acides ou alcalines sont présentes.

EXEMPLES D'APPLICATION TYPIQUES

Les exemples d'application ci-dessous sont fournis à titre d'illustration uniquement.

Application 1

Application de chauffage de locaux uniquement avec thermostat raccordé à l'unité intérieure.



1	Unité extérieure	6	Collecteur (non fourni)
2	Unité intérieure	7	Vanne d'arrêt
3	Echangeur thermique	FHL1..3	Boucle de chauffage au sol
4	Pompe	T	Thermostat d'ambiance (option)
5	Vanne d'arrêt		

Fonctionnement de la pompe et chauffage de locaux

Lorsque le thermostat d'ambiance (T) est raccordé à l'unité intérieure, la pompe (4) fonctionnera lorsqu'il y a une demande de chauffage du thermostat d'ambiance, et l'unité extérieure commencera à fonctionner pour atteindre la température d'eau de départ cible telle que définie sur l'interface utilisateur.

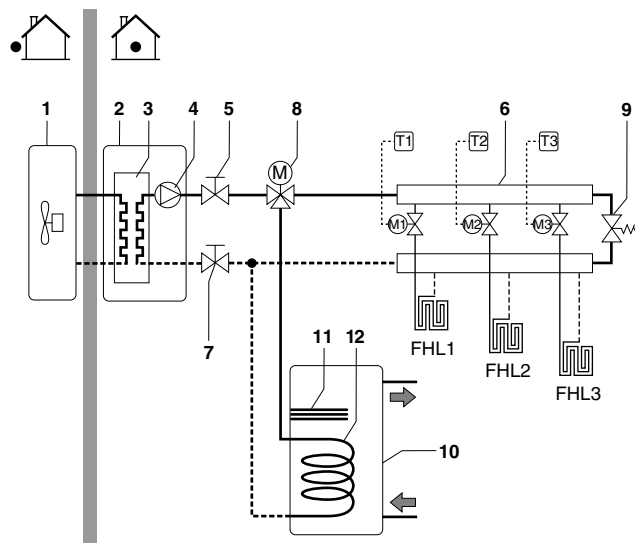
Lorsque la température ambiante est supérieure au point de consigne du thermostat, l'unité extérieure et la pompe cesseront de fonctionner.



Veiller à raccorder les fils du thermostat aux bornes correctes (voir "Raccordement du câble de thermostat" à la page 19) et à configurer les microcommutateurs à bascule correctement (voir "Configuration de l'installation du thermostat d'ambiance" à la page 23).

Application 2

Application de chauffage de locaux uniquement sans thermostat d'ambiance raccordé à l'unité intérieure. La température dans chaque pièce est contrôlée par une vanne sur chaque circuit d'eau. L'eau chaude domestique est fournie par le ballon d'eau chaude domestique qui est raccordé à l'unité intérieure.



1	Unité extérieure	10	Ballon d'eau chaude domestique (option)
2	Unité intérieure	11	Surchauffage
3	Echangeur thermique	12	Serpentin d'échangeur de chaleur
4	Pompe	FHL1..3	Boucle de chauffage au sol
5	Vanne d'arrêt	T1..3	Thermostat d'ambiance individuel (option)
6	Collecteur (non fourni)	M1..3	Vanne motorisée individuelle vers boucle de contrôle FHL1 (non fournie)
7	Vanne d'arrêt		
8	Vanne à 3 voies motorisée (fournie avec le ballon d'eau chaude domestique)		
9	Vanne de dérivation (non fournie)		

Fonctionnement de la pompe

Lorsqu'il n'y a pas de thermostat raccordé à l'unité intérieure (2), la pompe (4) peut être configurée pour fonctionner soit tant que l'unité intérieure est sous tension, soit jusqu'à ce que la température de l'eau souhaitée soit atteinte.

REMARQUE Pour plus de détails sur la configuration de la pompe, voir "Configuration du fonctionnement de la pompe" à la page 24.

Chauffage de locaux

L'unité extérieure (1) fonctionnera pour atteindre la température d'eau de départ cible telle que définie sur l'interface utilisateur.

REMARQUE Lorsque la circulation dans chaque boucle de chauffage de locaux (FHL1..3) est contrôlée par des vannes commandées à distance (M1..3), il est important de prévoir une vanne de dérivation (9) pour éviter l'activation du dispositif de sécurité à contacteur de débit.

La vanne de dérivation doit être sélectionnée de manière à garantir en permanence le débit d'eau minimum mentionné au point "Tuyauterie d'eau" à la page 15.

Il est recommandé de sélectionner une vanne de dérivation contrôlée par pression différentielle.

Chauffage de l'eau domestique

Lorsque le mode de chauffage de l'eau domestique est activé (soit manuellement par l'utilisateur, soit automatiquement via un temporisateur), la température de l'eau chaude domestique cible sera atteinte en combinant le serpentin de l'échangeur de chaleur et le surchauffage électrique.

Lorsque la température de l'eau chaude domestique est inférieure au point de consigne configuré par l'utilisateur, la vanne à 3 voies sera activée pour chauffer l'eau chaude domestique au moyen de la pompe à chaleur. Dans le cas d'une demande d'eau chaude domestique élevée ou d'un réglage de température d'eau chaude domestique élevé, le surchauffage (11) peut fournir une chaleur auxiliaire.

REMARQUE



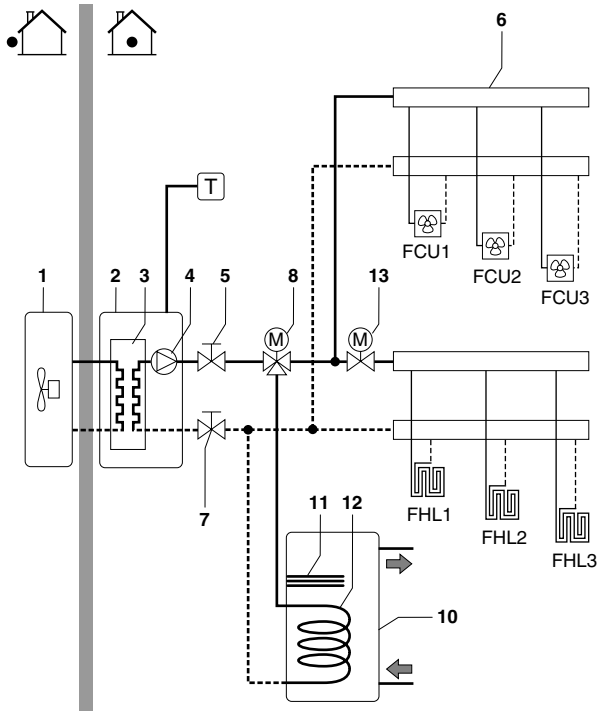
L'unité intérieure peut être configurée de sorte qu'aux basses températures extérieures, l'eau domestique soit exclusivement chauffée par le surchauffage. Cela permet de mettre à disposition la totalité de la capacité de la pompe à chaleur pour le chauffage de locaux.

Pour plus de détails sur la configuration du ballon d'eau chaude domestique pour basses températures extérieures, se reporter à "Réglages sur place" à la page 26, réglages sur place [5-02] à [5-04].

Application 3

Application de refroidissement et de chauffage de locaux avec un thermostat d'ambiance adapté pour le changement chauffage/refroidissement raccordé à l'unité intérieure. Le chauffage est fourni par des boucles de chauffage dans le sol et des ventilo-convecteurs. Le refroidissement est assuré par les ventilo-convecteurs uniquement.

L'eau chaude domestique est fournie par le ballon d'eau chaude domestique qui est raccordé à l'unité intérieure.



1	Unité extérieure	11	Surchauffage
2	Unité intérieure	12	Serpentin d'échangeur de chaleur
3	Echangeur thermique	13	Vanne à 2 voies motorisée (non fournie)
4	Pompe	FCU1..3	Ventilo-convecteur (option)
5	Vanne d'arrêt	FHL1..3	Boucle de chauffage au sol
6	Collecteur (non fourni)	T	Thermostat d'ambiance avec commutateur de chauffage/refroidissement (option)
7	Vanne d'arrêt		
8	Vanne à 3 voies motorisée (fournie avec le ballon d'eau chaude domestique)		
10	Ballon d'eau chaude domestique (option)		

Fonctionnement de la pompe et chauffage/refroidissement de locaux

En fonction de la saison, le client sélectionnera le refroidissement ou le chauffage sur le thermostat d'ambiance (T). Cette sélection n'est pas possible en utilisant l'interface utilisateur.

Lorsque le chauffage/refroidissement de locaux est requis par le thermostat d'ambiance (T), la pompe commencera à fonctionner et l'unité intérieure (2) passera au "mode de chauffage"/"mode de refroidissement". L'unité extérieure (1) commencera à fonctionner pour atteindre la température d'eau chaude/froide de départ cible.

En cas de mode de refroidissement, la vanne à 2 voies (13) se fermera pour empêcher l'eau froide de passer par les boucles de chauffage du sol (FHL).

REMARQUE



Veiller à raccorder les fils du thermostat aux bornes correctes (voir "Raccordement du câble de thermostat" à la page 19) et à configurer les microcommutateurs à bascule correctement (voir "Configuration de l'installation du thermostat d'ambiance" à la page 23).

REMARQUE



Le câblage de la vanne à 2 voies (13) est différent pour une vanne NC (normalement fermée) et une vanne NO (normalement ouverte)! Veiller à effectuer la connexion aux numéros de bornes corrects comme détaillé sur le schéma de câblage.

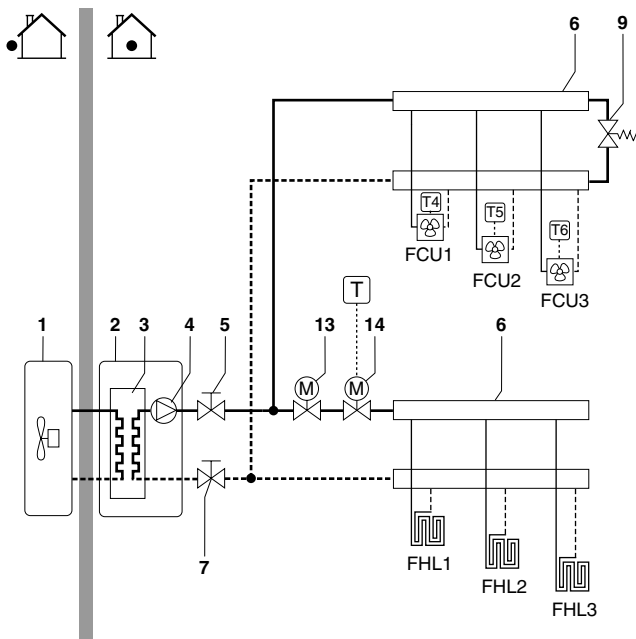
Le réglage ON/OFF du mode de chauffage/refroidissement se fait au moyen du thermostat d'ambiance et ne peut pas se faire via l'interface utilisateur sur l'unité intérieure.

Chauffage de l'eau domestique

Le chauffage de l'eau domestique est décrit au point "Application 2" à la page 4.

Application 4

Application de refroidissement et de chauffage de locaux **sans thermostat d'ambiance relié à l'unité intérieure**, mais avec le thermostat d'ambiance de chauffage uniquement (mis sur chauffage uniquement) contrôlant le chauffage par le sol et un thermostat de chauffage/refroidissement (mis sur chauffage/refroidissement) contrôlant les ventilo-convecteurs. Le chauffage est fourni par des boucles de chauffage dans le sol et des ventilo-convecteurs. Le refroidissement est assuré par les ventilo-convecteurs uniquement.



1	Unité extérieure	14	Vanne à 2 voies motorisée pour l'activation du thermostat d'ambiance (non fournie)
2	Unité intérieure	FCU1..3	Ventilo-convecteur avec thermostat (option)
3	Echangeur thermique	FHL1..3	Boucle de chauffage au sol
4	Pompe	T	Thermostat d'ambiance chauffage uniquement (option)
5	Vanne d'arrêt	T4..6	Thermostat d'ambiance individuel pour pièce chauffée/refroidie par ventilo-convecteur (option)
6	Collecteur (non fourni)		
7	Vanne d'arrêt		
9	Vanne de dérivation (non fournie)		
13	Vanne à 2 voies motorisée pour fermer les boucles de chauffage de sol pendant le mode de refroidissement (non fournie)		

Fonctionnement de la pompe

Lorsqu'il n'y a pas de thermostat raccordé à l'unité intérieure (2), la pompe (4) peut être configurée pour fonctionner soit tant que l'unité intérieure est sous tension, soit jusqu'à ce que la température de l'eau souhaitée soit atteinte.

REMARQUE Pour plus de détails sur la configuration de la pompe, voir "Configuration du fonctionnement de la pompe" à la page 24.

Chauffage et refroidissement de locaux

En fonction de la saison, le client sélectionnera le chauffage ou le refroidissement via l'interface utilisateur de l'unité intérieure.

L'unité extérieure (1) fonctionnera en mode de chauffage ou en mode de refroidissement pour atteindre la température d'eau de départ cible.

Avec l'unité en mode de chauffage, la vanne à 2 voies (13) est ouverte. L'eau chaude est fournie aux deux ventilo-convecteurs et aux boucles de chauffage de sol.

Quand l'unité est en mode de refroidissement, la vanne à 2 voies (13) se ferme pour empêcher l'eau froide de passer par les boucles de chauffage du sol (FHL).



Lorsque plusieurs boucles sont fermées dans le système par les vannes réglées à distance, il peut être nécessaire d'installer une vanne de dérivation (9) pour éviter l'activation du dispositif de sécurité à contacteur de débit. Voir aussi "Application 2" à la page 4.



Le câblage de la vanne à 2 voies (13) est différent pour une vanne NC (normalement fermée) et une vanne NO (normalement ouverte)! Veiller à effectuer la connexion aux numéros de bornes corrects comme détaillé sur le schéma de câblage.

Le réglage ON/OFF du mode de chauffage/refroidissement se fait via l'interface utilisateur de l'unité intérieure.

Application 5

Chauffage en relèvement de chaudière

Application de chauffage de locaux au moyen de l'unité intérieure Daikin ou d'une chaudière raccordée au système. La décision de faire fonctionner l'unité intérieure EKHB* ou la chaudière peut être confiée à un contact auxiliaire ou un contact contrôlé par l'unité intérieure EKHB*.

Le contact auxiliaire peut par ex. être un thermostat de température extérieure, un contact pour compteur de nuit, un contact à commande manuelle, etc. Voir "Configuration de câblage sur place A" à la page 7.

Le contact EKHB* contrôlé de l'intérieur (appelé aussi "signal de permission pour la chaudière auxiliaire") est commandé par la température extérieure (thermistance située sur l'unité extérieure). Voir "Configuration de câblage sur place B" à la page 7.

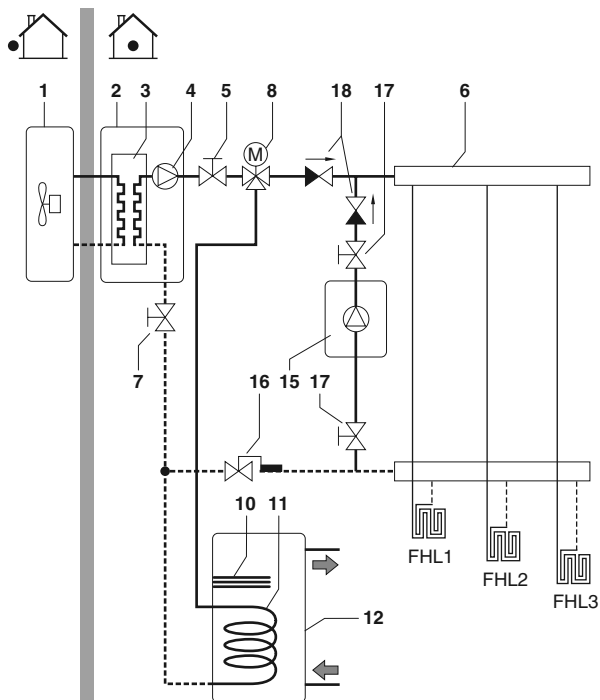
Un fonctionnement bivalent n'est possible que pour le chauffage de locaux, **pas** pour le chauffage d'eau chaude domestique. L'eau chaude domestique dans cette application est toujours fournie par le ballon d'eau chaude domestique qui est raccordé à l'unité intérieure Daikin.

La chaudière auxiliaire doit être intégrée dans le circuit hydraulique et électrique à réaliser sur place conformément aux illustrations ci-dessous.



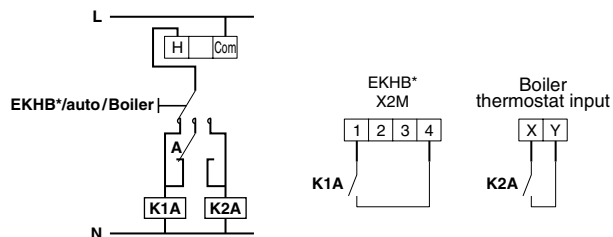
ATTENTION

- Veiller à ce que la chaudière et l'intégration de la chaudière dans le système soient conformes à la réglementation et à la législation locales en vigueur.
- Daikin ne peut être tenu responsable de situations incorrectes ou non sûres dans le circuit de chaudière.



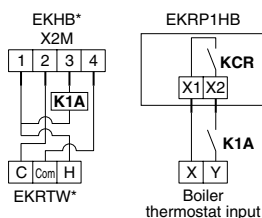
- | | | | |
|-----------|--|-----------------|---|
| 1 | Unité extérieure | 11 | Serpentin d'échangeur de chaleur |
| 2 | Unité intérieure | 12 | Ballon d'eau chaude domestique (option) |
| 3 | Echangeur thermique | 15 | Chaudière (non livrée) |
| 4 | Pompe | 16 | Aquastat (non fourni) |
| 5 | Vanne d'arrêt | 17 | Vanne d'arrêt (non fournie) |
| 6 | Collecteur (non fourni) | 18 | Clapet anti-retour (non fourni) |
| 7 | Vanne d'arrêt | FHL1...3 | Boucle de chauffage dans le sol (non fournie) |
| 8 | Vanne à 3 voies motorisée (fournie avec le ballon d'eau chaude domestique) | | |
| 10 | Surchauffage | | |

Configuration de câblage sur place A



- | | |
|--------------------------------|---|
| Boiler thermostat input | Entrée de thermostat de chaudière |
| A | Contact auxiliaire (normalement fermé) |
| H | Thermostat d'ambiance de demande de chauffage (option) |
| K1A | Relais auxiliaire pour activation de l'unité EKHB* (non fourni) |
| K2A | Relais auxiliaire pour activation de la chaudière (non fourni) |

Configuration de câblage sur place B



- | | |
|--------------------------------|--|
| Boiler thermostat input | Entrée de thermostat de chaudière |
| C | Thermostat d'ambiance de demande de refroidissement (option) |
| H | Thermostat d'ambiance de demande de chauffage (option) |
| Com | Thermostat d'ambiance commun (option) |
| K1A | Relais auxiliaire pour activation de l'unité de chaudière (non fourni) |
| KCR | Signal de permission pour chaudière auxiliaire |

Utilisation

■ Configuration A

Lorsqu'il y a une demande de chauffage du thermostat, soit l'unité EKHB, soit la chaudière commence à fonctionner en fonction de la position du contact auxiliaire (A).

■ Configuration B

Lorsqu'il y a une demande de chauffage du thermostat, soit l'unité EKHB*, soit la chaudière commence à fonctionner en fonction de la température extérieure (statut du "signal de permission pour chaudière auxiliaire").

Lorsque la permission est donnée à la chaudière, le fonctionnement du chauffage de locaux par l'unité EKHB sera coupé automatiquement.

Pour plus de détails, voir le réglage sur place [C-02~C-04].

REMARQUE



■ **Configuration A**

S'assurer que le contact auxiliaire (A) dispose d'un différentiel ou d'un délai suffisant de manière à éviter un changement fréquent entre l'unité EKHB* et la chaudière. Si le contact auxiliaire (A) est un thermostat de température extérieure, veiller à installer le thermostat à l'ombre de sorte qu'il ne soit pas influencé ou enclenché/arrêté par le soleil.

■ **Configuration B**

S'assurer que l'hystérésis bivalente [C-04] dispose d'un différentiel ou d'un délai suffisant de manière à éviter un changement fréquent entre l'unité EKHB* et la chaudière. Comme la température extérieure est mesurée par la thermistance d'air de l'unité extérieure, veiller à installer l'unité extérieure à l'ombre pour qu'elle ne soit pas influencée par le soleil.

Une activation fréquente peut provoquer une corrosion prématurée de la chaudière. Contacter le fabricant de la chaudière.

- Pendant le fonctionnement en chauffage de l'unité EKHB*, l'unité fonctionnera de manière à atteindre la température d'eau de départ cible telle que définie sur l'interface utilisateur. Lorsque le fonctionnement avec loi d'eau est actif, la température d'eau est déterminée automatiquement en fonction de la température extérieure.

En mode de chauffage de la chaudière, celle-ci fonctionnera de manière à atteindre la température d'eau de sortie cible telle que définie sur la commande de la chaudière.

Ne jamais régler le point de consigne de température d'eau de sortie cible sur la commande de la chaudière au-dessus de 131°F (55°C).

- Veiller à n'avoir qu'un vase d'expansion dans le circuit d'eau. Un vase d'expansion est déjà pré-installé dans l'unité intérieure Daikin.

REMARQUE



Veiller à configurer le microcommutateur SS2-3 du PCB du coffret électrique EKHB* correctement. Se reporter à "Configuration de l'installation du thermostat d'ambiance" à la page 23.

Pour la configuration B: veiller à configurer les réglages sur place [C-02, C-03 et C-04] correctement. Se reporter à "Fonctionnement bivalent" à la page 33.



ATTENTION

Veiller à ce que l'eau de retour vers l'échangeur de chaleur du EKHB* ne dépasse jamais 131°F (55°C).

Pour cette raison, ne jamais régler le point de consigne de température d'eau de départ cible sur le dispositif de régulation de la chaudière au-dessus 131°F (55°C) et placer un aquastat^(a) sur la conduite d'eau de retour de l'unité EKHB*.

S'assurer que les clapets anti-retour (non livrés) sont bien montés dans le système.

S'assurer que le thermostat d'ambiance (th) ne fait pas de cycles marche/arrêt trop fréquents.

Daikin ne pourra être tenu responsable des dommages résultant du non-respect de cette consigne.

(a) L'aquastat doit être réglé sur 131°F (55°C) et doit fonctionner pour fermer le débit d'eau de retour vers l'unité lorsque la température mesurée dépasse 131°F (55°C). Lorsque la température baisse à un niveau inférieur, l'aquastat doit fonctionner pour ouvrir le débit d'eau de retour vers l'unité EKHB* à nouveau.



Permission manuell vers l'unité EKHB* sur la chaudière.

Au cas où l'unité EKHB* doit fonctionner en mode de chauffage de locaux, désactiver le fonctionnement bivalent via ce réglage [C-02].

Au cas où la chaudière doit fonctionner en mode de chauffage de locaux, augmenter la température d'activation bivalente [C-03] à 77°F (25°C).

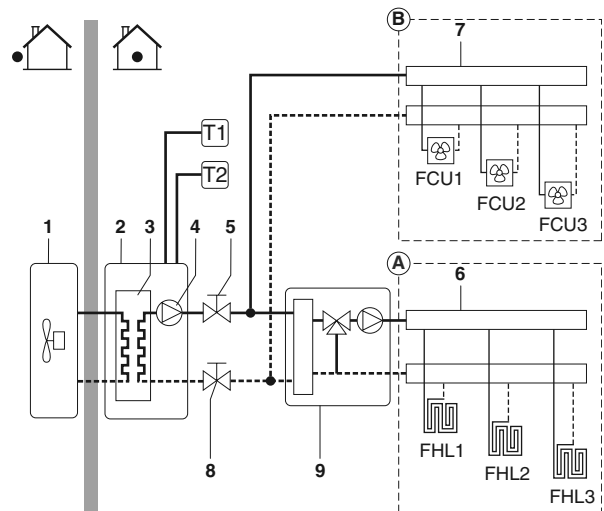
Application 6

Chauffage de locaux avec thermostat d'ambiance via les boucles de chauffage au sol et les ventilo-convecteurs. Les boucles de chauffage au sol et les ventilo-convecteurs exigent des températures d'eau différentes.

Les boucles de chauffage au sol nécessitent une température d'eau inférieure en mode de chauffage par rapport aux ventilo-convecteurs. Pour réaliser ces deux points de consigne, un mélangeur est utilisé pour adapter la température d'eau aux exigences des boucles de chauffage au sol. Les ventilo-convecteurs sont directement connectés au circuit d'eau de l'unité intérieure et aux boucles de chauffage au sol après le mélangeur. Le contrôle de ce mélangeur n'est pas assuré par l'unité intérieure.

Le fonctionnement et la configuration du circuit d'eau sur place incombent à l'installateur.

Daikin propose uniquement une fonction de commande de point de consigne double. Grâce à cette fonction, deux points de consigne peuvent être générés. En fonction de la température d'eau requise (des boucles de chauffage au sol et/ou ventilo-convecteurs sont nécessaires), le premier ou le deuxième point de consigne peut être activé.



- | | | | |
|---|--------------------------------|----------|---|
| 1 | Unité extérieure | 8 | Vanne d'arrêt |
| 2 | Unité intérieure | 9 | Mélangeur (non fourni) |
| 3 | Echangeur thermique | T1 | Thermostat d'ambiance pour la zone A (option) |
| 4 | Pompe | T2 | Thermostat d'ambiance pour la zone B (option) |
| 5 | Vanne d'arrêt | FCU1...3 | Ventilo-convecteur (option) |
| 6 | Collecteur zone A (non fourni) | FHL1...3 | Boucle de chauffage dans le sol (non fournie) |
| 7 | Collecteur zone B (non fourni) | | |



L'avantage de la commande de point de consigne double réside dans le fait que la pompe à chaleur va/peut fonctionner à la température d'eau de sortie requise la plus basse lorsque seul le chauffage par le sol est requis. Des températures d'eau de sortie supérieures sont uniquement requises au cas où les ventilo-convecteurs fonctionnent. Cela entraîne de meilleures performances de la pompe à chaleur.

Fonctionnement de la pompe et du chauffage de locaux

Lorsque le thermostat d'ambiance pour la boucle de chauffage au sol (T1) et les ventilo-convecteurs (T2) sont connectés à l'unité intérieure, la pompe (4) fonctionnera lorsqu'il y a une demande de chauffage de T1 et/ou T2. L'unité extérieure commencera à fonctionner pour atteindre la température d'eau de départ cible. La température d'eau de départ cible dépend du thermostat d'ambiance qui réclame le chauffage.

	Point de consigne		Réglage sur place		Statut du thermostat		
Zone A	Premier	UI	MARCHE	ARRRET	MARCHE	ARRRET	
Zone B	Deuxième	[7-03]	ARRRET	MARCHE	MARCHE	ARRRET	
Température d'eau résultante			UI	[7-03]	[7-03]	—	
Fonctionnement de pompe pour résultat			MARCHE	MARCHE	MARCHE	ARRRET	

Lorsque la température ambiante des deux zones est supérieure au point de consigne du thermostat, l'unité extérieure et la pompe cesseront de fonctionner.

- REMARQUE**
- Veiller à raccorder les fils de thermostat aux bornes correctes (voir "Aperçu de l'unité intérieure" à la page 9).
 - Veiller à configurer les réglages sur place [7-02], [7-03] et [7-04] correctement. Se reporter à "Contrôle de point de consigne double" à la page 31.
 - Veiller à configurer le microcommutateur SS2-3 du PCB du coffret électrique EKHBH correctement. Se reporter à "Configuration de l'installation du thermostat d'ambiance" à la page 23.

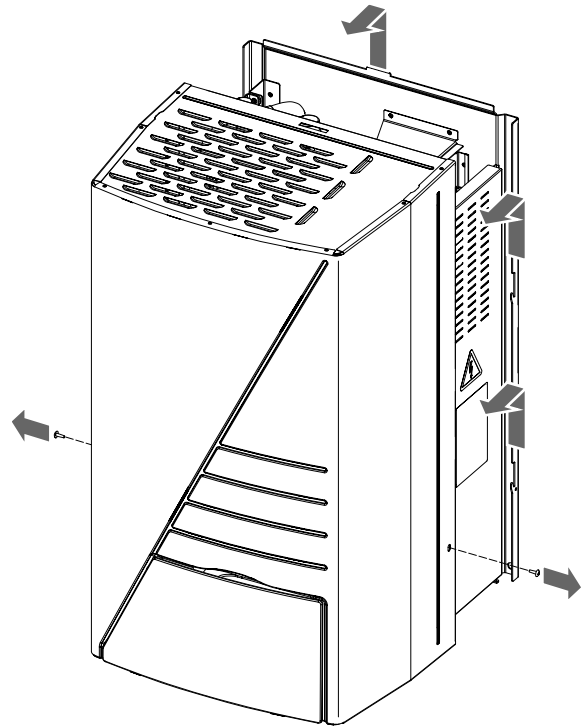
- REMARQUE**
- Les entrées de demande de chauffage peuvent être mises en œuvre de deux manières différentes (choix de l'installateur).
 - Signal thermo ON/OFF du thermostat d'ambiance
 - Signal de statut (actif/inactif) du mélangeur
 - Il incombe à l'installateur de s'assurer qu'aucune situation indésirable puisse se produire (par ex. températures d'eau trop élevées vers les boucles de chauffage au sol, etc.).
 - Daikin ne propose aucun type de mélangeur. Le contrôle de point de consigne double donne la possibilité d'utiliser deux points de consigne.
 - Lorsque la demande de chauffage ne concerne que la zone A, la zone B sera alimentée en eau à une température égale au premier point de consigne.
Cela peut entraîner un chauffage indésirable du volume de la zone B.
 - Lorsque la demande de chauffage ne concerne que la zone B, le mélangeur sera alimenté en eau à une température égale au deuxième point de consigne.
En fonction du contrôle du mélangeur, la boucle de chauffage au sol peut toujours recevoir l'eau à une température également au point de consigne du mélangeur.

! A noter que la température d'eau réelle à travers les boucles de chauffage au sol dépend du contrôle et du réglage du mélangeur.

APERÇU DE L'UNITÉ INTÉRIEURE

Ouverture de l'unité intérieure

- Le volet avant du couvercle de l'unité intérieure donne accès au manomètre et à l'interface utilisateur.
- Le couvercle de l'unité intérieure peut s'ôter en retirant les 2 vis de côté et en décrochant le couvercle.



! Veiller à fixer le couvercle avec les vis et la rondelle en nylon lors de l'installation du couvercle (vis fournies en accessoire).

! Les parties à l'intérieur de l'unité peuvent être chaudes.

- Pour avoir accès aux composants internes du coffret électrique — par ex. pour relier le câblage sur place — le panneau de service du coffret électrique peut être retiré. Pour ce faire, desserrer les vis avant et décrocher le panneau de service du coffret électrique.



AVERTISSEMENT

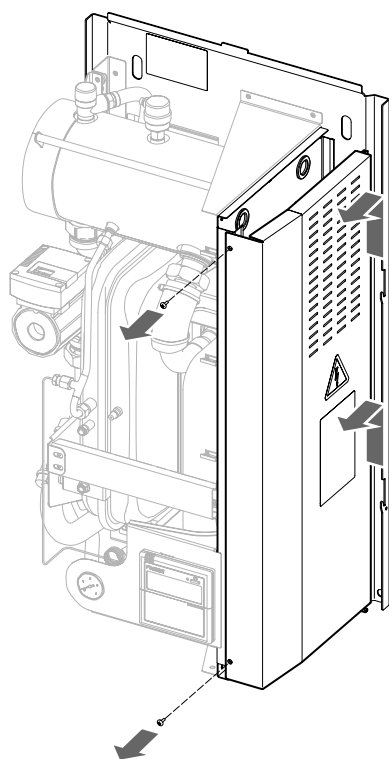
- Couper l'alimentation électrique — c.-à-d. le courant de l'unité extérieure et l'alimentation du chauffage d'appoint et du ballon d'eau chaude domestique (le cas échéant) — avant de retirer le panneau de service du coffret électrique.
- Ne pas toucher les tuyaux de réfrigérant pendant et immédiatement après une utilisation car les tuyaux de réfrigérant peuvent être chauds ou froids en fonction de l'état du réfrigérant traversant la tuyauterie, le compresseur et d'autres parties du circuit du réfrigérant. Il est possible de se brûler ou de se gercer les mains en cas de contact avec les tuyaux de réfrigérant. Pour éviter des blessures, laisser le temps aux tuyaux de revenir à une température normale ou, s'il est indispensable de les toucher, veiller à porter des gants adéquats.
- Ne pas toucher les parties internes (pompe, chauffage d'appoint, etc.) pendant et juste après leur fonctionnement.

Il est possible de se brûler les mains en cas de contact avec les parties internes. Pour éviter des blessures, laisser le temps aux pièces internes de revenir à une température normale ou, s'il est indispensable de les toucher, veiller à porter des gants adéquats.

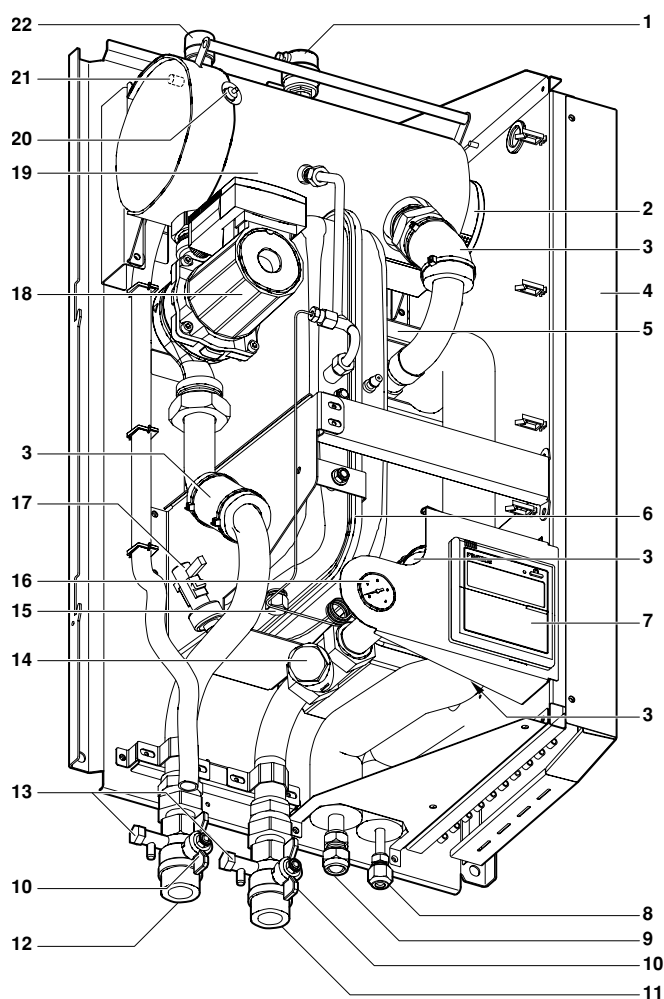


DANGER

- Ne pas toucher les tuyaux d'eau pendant et immédiatement après une utilisation car ces tuyaux peuvent être chauds. Il y a un risque de brûlures aux mains. Pour éviter des blessures, laisser le temps aux tuyaux de revenir à une température normale ou veiller à porter des gants adéquats.
- Lorsque les panneaux d'entretien sont retirés, des pièces nues peuvent facilement être touchées par accident.
Ne jamais laisser l'unité sans surveillance pendant l'installation ou l'entretien quand le panneau d'entretien est retiré.



Principaux composants



- 1. Purgeur**
L'air subsistant dans le circuit d'eau sera automatiquement expulsé par le purgeur.
- 2. Chauffage d'appoint**
Le chauffage d'appoint consiste en un élément de chauffage électrique dans le vase du chauffage d'appoint qui fournira une capacité de chauffage supplémentaire au circuit d'eau si la capacité de chauffage de l'unité extérieure est insuffisante en raison de basses températures extérieures.
- 3. Capteurs de température**
Quatre capteurs de température déterminent la température de l'eau et du réfrigérant en différents points dans le circuit d'eau.
- 4. Coffret électrique**
Le coffret électrique contient les composants électroniques et électriques principaux de l'unité intérieure.
- 5. Echangeur thermique**
- 6. Vase d'expansion (2,6 gallons) [10 l]**
- 7. Interface utilisateur**
L'interface utilisateur permet à l'installateur et à l'utilisateur de paramétrer, d'utiliser et d'entretenir l'unité.
- 8. Connexion de liquide réfrigérant**
- 9. Connexion de gaz réfrigérant**
- 10. Vannes d'arrêt (accessoire)**
Les vannes d'arrêt de la connexion d'entrée d'eau et de la connexion de sortie d'eau permettent une isolation du côté circuit d'eau de l'unité intérieure par rapport au côté circuit d'eau résidentiel. Cela facilite la vidange et le remplacement du filtre de l'unité intérieure.
- 11. Connexion d'arrivée d'eau**
- 12. Connexion de sortie d'eau**

13. Vannes de vidange et de remplissage

14. Filtre à eau

Le filtre à eau retire la saleté de l'eau pour empêcher des dégâts à la pompe ou une obstruction de l'évaporateur. Le filtre à eau doit être nettoyé de façon régulière. Voir "Maintenance et entretien" à la page 40.

15. Manomètre

Le manomètre permet de lire la pression d'eau dans le circuit d'eau.

16. Contacteur de débit

Le contacteur de débit vérifie le flux dans le circuit d'eau et protège l'échangeur de chaleur contre le gel et la pompe contre les dégâts.

17. Pompe

La pompe fait circuler l'eau dans le circuit d'eau.

18. Protection thermique du chauffage d'appoint

Le chauffage d'appoint est équipé d'un protecteur thermique. La protection thermique s'active quand la température devient trop élevée.

19. Fusible thermique du chauffage d'appoint

Le chauffage d'appoint est équipé d'un fusible thermique. Le fusible thermique saute quand la température est trop élevée (supérieure à la température de la protection thermique du chauffage d'appoint).

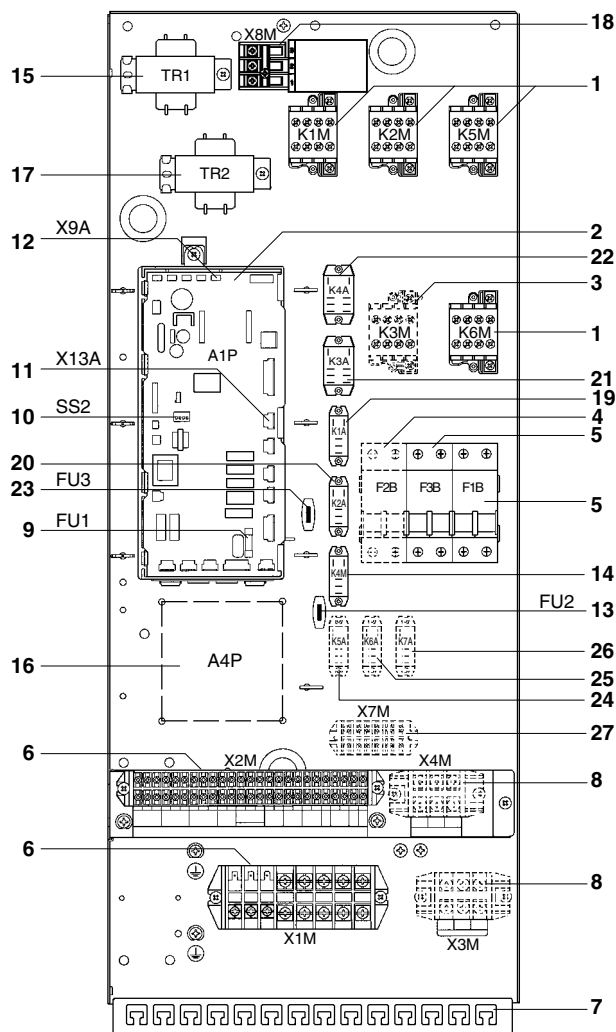
20. Soupape de décharge de pression

La soupape de décharge de pression empêche une pression d'eau excessive dans le circuit d'eau en s'ouvrant à 43,5 psi (3 bar) et en déchargeant un peu d'eau.

21. Flexible de la soupape de décharge de pression

La sortie réelle de la soupape de décharge de pression. Veiller à prévoir une purge adéquate.

Composants principaux du coffret électrique



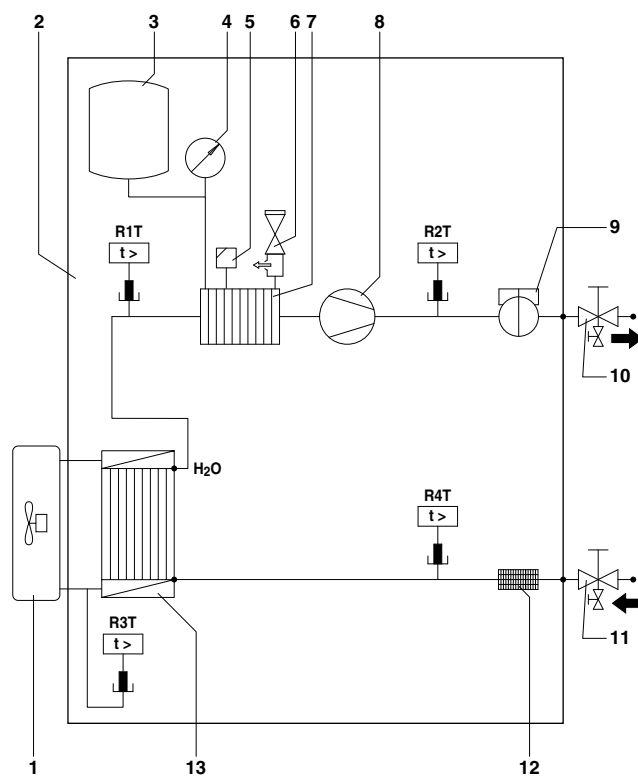
1. Contacteurs du chauffage d'appoint K1M, K2M, K5M et K6M.
2. Carte de circuits imprimés principale
La carte de circuits imprimés principale (PCB) contrôle le fonctionnement de l'unité.
3. Contacteur de surchauffage K3M (uniquement pour installations avec ballon d'eau chaude domestique)
4. Disjoncteur de surchauffage F2B (uniquement pour installations avec le ballon d'eau chaude domestique)
Le disjoncteur protège le surchauffage dans le ballon d'eau chaude domestique contre toute surcharge ou court-circuit.
5. Disjoncteur du chauffage d'appoint F1B, F3B
Le disjoncteur protège le circuit électrique du chauffage d'appoint par rapport à une surcharge ou un court-circuit.
6. Borniers
Les borniers permettent une connexion aisée des câbles sur place.
7. Fixations des attache-câbles
Les attache-câbles permettent de fixer le câblage local avec les attaches au coffret électrique pour garantir la réduction des contraintes.
8. Borniers X3M, X4M (uniquement sur les installations avec ballon d'eau chaude domestique)
9. Fusible PCB FU1
10. Microcommutateur SS2
Le microcommutateur SS2 compte 4 commutateurs à bascule pour configurer certains paramètres d'installation. Voir "Aperçu des réglages de microcommutateur" à la page 23.

11. Prise X13A
La prise X13A accueille le connecteur K3M (uniquement pour les installations avec ballon d'eau chaude domestique).
12. Prise X9A
La prise X9A accueille le connecteur de la thermistance (uniquement pour les installations avec ballon d'eau chaude domestique).
13. Fusible de pompe FU2 (fusible en ligne)
14. Relais de pompe K4M
15. Transformateur TR1
16. A4P
Carte PCB E/S numérique (uniquement pour les installations avec kit solaire ou kit PCB E/S).
17. Transformateur TR2 24 V AC pour valves et relais (multiprise)
18. Bornier X8M
Le bornier X8M est utilisé pour sélectionner l'entrée électrique vers le transformateur TR2.
19. Vanne à 3 voies K1A
20. Relais à 2 voies K2A
21. Chauffage/Second relais de demande de point de consigne K3A
22. Refroidissement/Premier relais de demande de point de consigne K4A
23. Fusible pour valves et relais FU3
24. Relais de sortie d'alarme K5A (uniquement pour les installations avec kit PCB E/S numérique)
25. Relais de sortie ON/OFF de chauffage/refroidissement K6A (uniquement pour les installations avec kit PCB E/S numérique)
26. Relais d'entrée solaire K7A (uniquement pour installation avec kit solaire)
27. Bornier (uniquement pour les installations avec kit PCB E/S numérique)

REMARQUE Le schéma de câblage électrique se trouve à l'intérieur du couvercle du coffret électrique.



Schéma fonctionnel



1	Unité extérieure	10	Vanne d'arrêt de sortie d'eau avec vanne de purge (installation sur place)
2	Unité intérieure	11	Vanne d'arrêt d'entrée d'eau avec vanne de purge (installation sur place)
3	Vase d'expansion	12	Filtre
4	Manomètre	13	Echangeur thermique
5	Purgeur		
6	Soupape de décharge de pression		
7	Chauffage d'appoint	R1T	Capteurs de température
8	Pompe	R2T	
		R3T	
		R4T	
9	Contacteur de débit		

INSTALLATION DE L'UNITÉ INTÉRIEURE

Sélection d'un lieu d'installation

L'unité doit être montée au mur dans un endroit à l'intérieur qui répond aux exigences suivantes:

- Le lieu d'installation de l'unité intérieure ne doit pas comporter des risques de gel.
- L'espace autour de l'unité convient parfaitement en cas de maintenance. (Voir figure 2).
- L'espace autour de l'unité permet une circulation d'air suffisante.
- Il y a de la place pour que la soupape de décharge de pression et la vanne de purge de condensat (uniquement pour les modèles EKHBX avec kit de bac de purge EKHBDBP) se déclenchent.
- La surface d'installation consiste en un mur ininflammable plat et vertical, capable de supporter le poids en ordre de marche de l'unité (voir "Spécifications techniques" à la page 44).
- Il n'y a pas de danger d'incendie en raison de fuite de gaz inflammable.
- Toutes les longueurs de tuyau et distances ont été prises en considération.

Exigence	Valeur
Longueur maximale autorisée des tuyaux de réfrigérant entre les unités extérieures et intérieures	246 ft (75 m)
Longueur minimale requise des tuyaux de réfrigérant entre les unités extérieures et intérieures	9,8 ft ^(a) (3 m)
Différence de hauteur maximale autorisée entre les unités extérieures et intérieures	98,4 ft (30 m)
Distance maximale autorisée entre la vanne à 3 voies et l'unité intérieure (uniquement pour les installations avec ballon d'eau chaude domestique).	9,8 ft (3 m)
Distance maximale admise entre le ballon d'eau chaude domestique et l'unité intérieure (uniquement pour les installations avec ballon d'eau chaude domestique). Le câble de thermistance fourni avec le ballon d'eau chaude domestique fait 12 m de long.	32,8 ft (10 m)

(a) Avec <16,4 ft (<5 m), la recharge de l'unité extérieure est requise. Se reporter au manuel d'installation de l'unité extérieure.

- En cours de fonctionnement normal, l'unité hydrobox produira un bruit que l'on pourrait considérer comme gênant. L'origine du bruit peut résider dans le fonctionnement de la pompe à eau et/ou l'activation du contacteur. Par conséquent, il est recommandé d'installer l'unité hydrobox sur un mur solide et non pas dans ou près d'un environnement sensible au bruit (par ex. chambre à coucher).
- Ne pas installer l'unité à des endroits à forte humidité (par ex. salle de bains).
- Sélectionner un diamètre de tuyauterie proportionnel au débit d'eau requis et à la capacité disponible de la pompe.
- L'équipement n'est pas destiné à une utilisation dans une atmosphère potentiellement explosive.
- Ne pas installer l'unité dans des endroits utilisés souvent comme atelier.
- S'il y a des travaux de construction (par ex. travaux de découpe) occasionnant beaucoup de poussière, l'unité doit être couverte.
- Veiller à ce qu'en cas de fuite d'eau, l'eau ne puisse pas endommager l'espace d'installation et ses environs.
- Ne pas placer d'objets ou d'équipement sur le dessus de l'unité.
- Prendre les précautions suffisantes, conformément à la législation et à la réglementation locales pertinentes, en cas de fuite de réfrigérant.

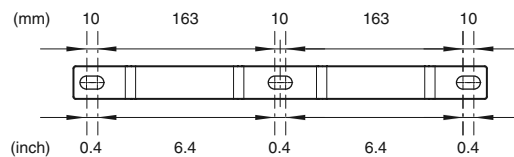


ATTENTION

Si l'installation est équipée d'un ballon d'eau chaude domestique (option), se reporter au manuel d'installation du ballon d'eau chaude domestique.

Dimensions et espace de service

Dimensions du support mural



Unité de mesure: pouces (mm)

Dimensions de l'unité, voir figure 3

- | | | | |
|---|----------------------------------|-------------|--|
| 1 | Tuyau de purge flexible | 5 | Connexion de gaz réfrigérant |
| 2 | Connexion de sortie d'eau | | |
| 3 | Connexion d'arrivée d'eau | FBSP | Female British Standard Pipe (Conduite femelle norme anglaise) |
| 4 | Connexion de liquide réfrigérant | MBSP | Male British Standard Pipe (Conduite mâle norme anglaise) |

Espace de service requis, voir figure 2

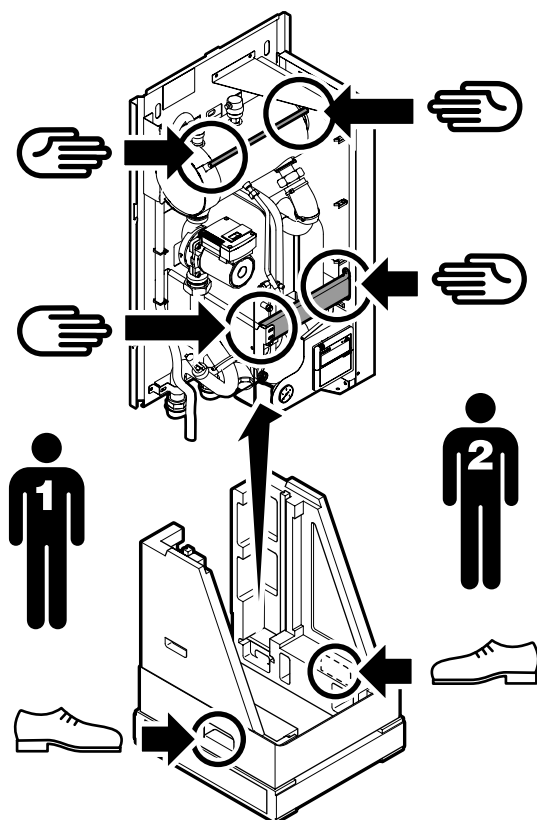
Inspection, manipulation et déballage de l'unité

- L'unité intérieure est emballée dans une caisse en carton, fixée par des sangles sur une palette en bois.
- A la livraison, l'appareil doit être vérifié et tout dommage doit être signalé immédiatement au responsable des réclamations du transporteur.
- Vérifier si tous les accessoires de l'unité intérieure (voir "Accessoires" à la page 2) sont inclus.
- Amener l'unité le plus près possible de sa position d'installation finale dans son emballage d'origine pour éviter des dégâts pendant le transport.
- L'unité intérieure pèse environ 123 lbs (55 kg) et doit être levée par deux personnes à l'aide des deux barres de levage fournies.



ATTENTION

Ne pas saisir le coffret électrique ou la tuyauterie pour lever l'unité! Deux barres de levage sont prévues pour lever l'unité.



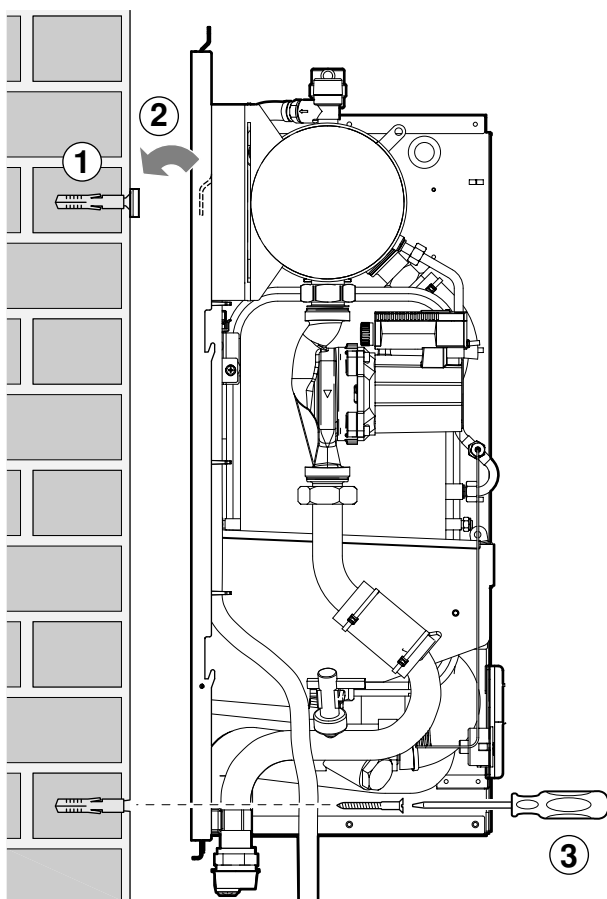
Montage de l'unité intérieure



ATTENTION

Le poids de l'unité intérieure est d'environ 123 lbs (55 kg). Deux personnes sont nécessaires pour monter l'unité.

- 1 Fixer le support de fixation au mur à l'aide des chevilles et vis appropriées.
S'assurer que le support de fixation mural est complètement de niveau. Si l'unité n'est pas installée de niveau, de l'air peut être s'engouffrer dans le circuit d'air, ce qui peut entraîner un dysfonctionnement de l'unité.
Faire particulièrement attention à cela lors de l'installation d'un modèle EKHBX pour éviter tout trop-plein du bac de purge.
- 2 Suspendre l'unité intérieure au support de fixation mural.
- 3 Fixer l'unité intérieure au bas à l'aide des chevilles et vis appropriées. Pour ce faire, l'unité est munie de 2 trous sur les bords extérieurs inférieurs du châssis.



Installation du kit de bac de purge EKBDP (uniquement pour les modèles EKHBX)

Pour les modèles de chauffage/refroidissement, il est nécessaire d'installer le kit de bac de purge (voir "Accessoires" à la page 2).

Pendant l'opération de refroidissement, la vapeur d'eau (humidité) dans l'air peut se condenser en liquide et se déposer sur les tuyaux de réfrigérant et d'eau froids. Cette eau est récupérée dans le bac de purge qui doit être connecté à un égout.

Pour connaître les instructions d'installation, se reporter à la feuille d'instruction accompagnant le kit de bac de purge.



ATTENTION

Veiller à positionner le tuyau de la soupape de décharge de pression dans le bac de purge. Si cette précaution n'est pas suivie, de l'eau peut entrer en contact avec les composants électriques et provoquer une décharge électrique ou un court-circuit dans le système électrique.

Tuyauterie de réfrigérant

Pour toutes les directives, instructions et spécifications relatives aux tuyauteries de réfrigérant entre l'unité intérieure et l'unité extérieure, se reporter au manuel d'installation de l'unité extérieure.

L'emplacement du tuyau de gaz et du tuyau de liquide sur l'unité intérieure est indiquée au point "Principaux composants" à la page 10.

Spécifications des tuyaux de réfrigérant	Unité intérieure	Unité extérieure
Raccordement du tuyau de gaz	5/8 pouces (15,9 mm)	5/8 pouces (15,9 mm)
Raccordement du tuyau de liquide	3/8 pouces (9,5 mm)	3/8 pouces (9,5 mm)



Lors de la connexion des tuyaux de réfrigérant, toujours utiliser deux clés pour serrer ou desserrer les écrous! Si cette précaution n'est pas respectée, il y a un risque de détérioration des raccords de tuyauterie et de fuite.

Vérification du circuit d'eau

Les appareils sont équipés d'une entrée et d'une sortie d'eau destinées à être raccordées à un circuit d'eau. Ce circuit doit être monté par un technicien qualifié et doit obéir à la réglementation et à la législation locales.

REMARQUE L'unité ne doit être utilisée que dans un réseau d'alimentation en eau fermé. L'application dans un réseau d'alimentation en eau ouvert conduit à une corrosion excessive de la tuyauterie d'eau.

REMARQUE Avant de poursuivre l'installation de l'appareil, vérifiez les points suivants:

- La pression d'eau maximale = 43,5 psi (3 bar) + pression statique de la pompe.
- La température d'eau maximum est de 149°F (65°C) (réglage du dispositif de sécurité).
- Deux vannes d'arrêt sont fournies avec l'unité. Afin de faciliter le service et la maintenance, en installer une à l'entrée d'eau et une à la sortie d'eau de l'unité intérieure. Respecter la position des vannes d'arrêt. L'orientation des vannes de purge et de remplissage intégrées est importante pour l'entretien. Voir figure 3.
- Les robinets de vidange doivent être prévus à tous les points bas du système pour permettre une vidange complète du circuit pendant la maintenance. Deux vannes de purge intégrées dans les vannes d'arrêt sont prévues pour vidanger l'eau du circuit d'eau de l'unité intérieure.
- Veiller à purger correctement la soupape de décharge de pression pour éviter tout contact de l'eau avec les composants électriques.
- Des purgeurs d'air doivent être prévus à tous les points supérieurs du système. Ils doivent être situés à des endroits facilement accessibles pour l'entretien. Une purge d'air automatique est prévue à l'intérieur de l'unité intérieure. Vérifier que ce purgeur n'est pas trop serré de sorte que l'évacuation d'air automatique dans le circuit d'eau reste possible.
- Veiller à ce que les composants installés dans la tuyauterie fournie sur place puissent résister à la pression et à la température d'eau.
- Toujours utiliser des matériaux qui sont compatibles avec l'eau utilisée dans le système et avec les matériaux utilisés sur l'unité intérieure.
- Sélectionner un diamètre de tuyauterie proportionnel au débit d'eau requis et à la capacité disponible de la pompe.
- Le débit d'eau minimum requis pour le fonctionnement de l'unité intérieure est de 4,23 gallons/min (16 l/min). Lorsque le débit d'eau est inférieur à la valeur minimale, l'erreur de débit T1 s'affichera et le fonctionnement de l'unité intérieure sera arrêté.

Vérification du volume d'eau et de la pré-pression du vase d'expansion

L'unité est équipée d'un vase d'expansion de 2,6 gallons (10 litres) qui présente une pré-pression par défaut de 14,5 psi (1 bar).

Pour garantir le fonctionnement adéquat de l'unité, il se peut que la pré-pression du vase d'expansion nécessite un ajustement et que les volumes d'eau minimum et maximum soient vérifiés.

- 1 Vérifier que le volume d'eau total dans l'installation, à l'exclusion du volume d'eau interne de l'unité intérieure, est de 5,3 gallons (20 l) minimum. Se reporter à "Spécifications techniques" à la page 44 pour connaître le volume d'eau interne de l'unité intérieure.



Dans la plupart des applications, le volume d'eau minimum donnera un résultat satisfaisant.

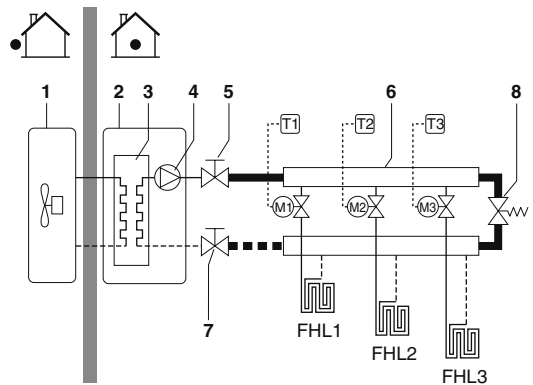
Cependant, dans des procédés ou locaux critiques avec une charge thermique élevée, un volume d'eau supplémentaire peut être nécessaire.

REMARQUE



Lorsque la circulation dans chaque boucle de chauffage de locaux est contrôlée par les vannes commandées à distance, il est important que ce volume minimal d'eau soit maintenu, même si toutes les vannes sont fermées.

Exemple



- | | | | |
|---|-------------------------|---------|---|
| 1 | Unité extérieure | 8 | Vanne de dérivation (non fournie) |
| 2 | Unité intérieure | FHL1..3 | Boucle de chauffage dans le sol (non fournie) |
| 3 | Echangeur thermique | T1..3 | Thermostat d'ambiance individuel (option) |
| 4 | Pompe | M1..3 | Vanne motorisée individuelle vers boucle de contrôle FHL1 (non fournie) |
| 5 | Vanne d'arrêt | | |
| 6 | Collecteur (non fourni) | | |
| 7 | Vanne d'arrêt | | |

- A l'aide du tableau ci-dessous, déterminer si la pré-pression du vase d'expansion nécessite un réglage.
- A l'aide du tableau et des instructions ci-dessous, déterminer si le volume d'eau total dans l'installation est en dessous du volume d'eau maximal autorisé.

Différence de hauteur d'installation (a)	Volume d'eau	
	≤74 gallons (280 l)	>74 gallons (280 l)
≤23 ft (≤7 m)	Aucun réglage de pré-pression requis	Actions requises: • la pré-pression doit être diminuée, calculer en fonction de "Calcul de la pré-pression du vase d'expansion" • vérifier si le volume d'eau est inférieur au volume d'eau maximal autorisé (utiliser le graphique ci-dessous)
> 23 ft (>7 m)	Actions requises: • la pré-pression doit être augmentée, calculer en fonction de "Calcul de la pré-pression du vase d'expansion" • vérifier si le volume d'eau est inférieur au volume d'eau maximal autorisé (utiliser le graphique ci-dessous)	Vase d'expansion de l'unité trop petit pour l'installation.

(a) Différence de hauteur d'installation: hauteur de différence (ft)(m) entre le point le plus haut du circuit d'eau et l'unité. Si l'unité est située au point le plus haut de l'installation, la hauteur d'installation est considérée à 0 ft (0 m).

Calcul de la pré-pression du vase d'expansion

La pré-pression (Pg) à régler dépend de la différence de hauteur d'installation maximale (H) et est calculée comme ci-dessous:

$$Pg_{(psi)} = (H_{(ft)} / 32 + 0,3) \times 14,5 \text{ psi}$$

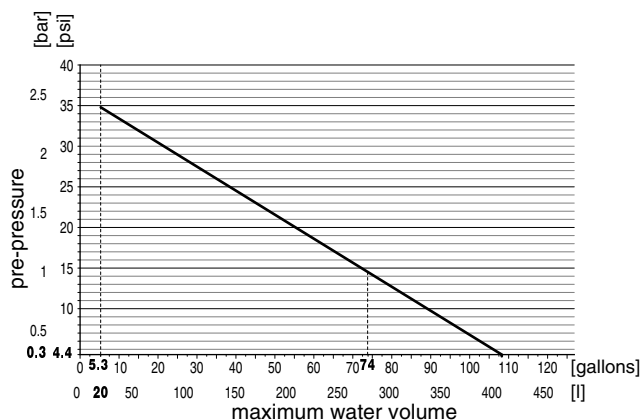
$$Pg_{(bar)} = (H_{(m)} / 10 + 0,3) \text{ bar}$$

Vérification du volume d'eau maximal autorisé

Pour déterminer le volume d'eau autorisé maximal dans l'ensemble du circuit, procéder comme suit:

- Déterminer le volume d'eau maximal correspondant à la pré-pression calculée (Pg) à l'aide du graphique ci-dessous.
- Vérifier que le volume d'eau total dans l'ensemble du circuit d'eau est inférieur à cette valeur.

Si ce n'est pas le cas, le vase d'expansion à l'intérieur de l'unité est trop petit pour l'installation.



pré-pression = pré-pression
maximum water volume = volume d'eau maximal

Exemple 1

L'unité est installée 16,4 ft (5 m) en dessous du point le plus élevé du circuit d'eau. Le volume d'eau total dans le circuit d'eau est de 26,4 gallons (100 l).

Dans cet exemple, aucune action ou réglage n'est requis.

Exemple 2

L'unité est installée au point le plus élevé du circuit d'eau. Le volume d'eau total dans le circuit d'eau est de 92,5 gallons (350 l).

Résultat:

- Etant donné que 92,5 gallons (350 l) est supérieur à 74,0 gallons (280 l), la pré-pression doit être réduite (voir le tableau ci-dessus).
- La pré-pression requise est:
 $Pg_{(psi)} = (H_{(ft)} / 32 + 0,3) \times 14,5 \text{ psi} = (0 / 32 + 0,3) \times 14,5 \text{ psi} = 4,4 \text{ psi}$
 $Pg_{(bar)} = (H_{(m)} / 10 + 0,3) \text{ bar} = (0 / 10 + 0,3) \text{ bar} = 0,3 \text{ bar}$
- Le volume d'eau maximal correspondant peut être lu à partir du graphique: environ 108 gallons (410 l).
- Etant donné que le volume d'eau total (92,5 gallons (350 l)) est inférieur au volume d'eau maximum (108,0 gallons (410 l)), le vase d'expansion suffit pour l'installation.

Réglage de la pré-pression du vase d'expansion

Lorsqu'il est nécessaire de changer la pré-pression par défaut du vase d'expansion (14,5 psi (1 bar)), garder à l'esprit les directives suivantes:

- Utiliser uniquement de l'azote sec pour régler la pré-pression du vase d'expansion.
- Un réglage inapproprié de la pré-pression du vase d'expansion entraînera un dysfonctionnement du système. Par conséquent, la pré-pression doit uniquement être ajustée par un technicien qualifié.

Raccordement du circuit d'eau

Les raccordements d'eau doivent être faits conformément à la réglementation et à la législation locales et au schéma de principe livré avec l'appareil, en respectant l'entrée et la sortie d'eau.


REMARQUE



Veiller à ne pas déformer la tuyauterie de l'appareil en utilisant une force excessive lors du raccordement du tuyau. La déformation de la tuyauterie pourrait entraîner un mauvais fonctionnement de l'appareil.


La présence d'air, d'humidité ou de poussière dans le circuit d'eau peut entraîner des dysfonctionnements. Par conséquent, lors de la connexion du circuit d'eau, prière de tenir compte des points suivants:

- N'utiliser que des conduites propres.
- Maintenir l'extrémité de la conduite vers le bas pour retirer les bavures.
- Couvrir l'extrémité de la conduite lors de son insertion dans un mur afin d'éviter toute pénétration de poussière et de saleté.
- Utiliser un bon agent d'étanchéité pour filet afin de rendre les raccords étanches. L'étanchéité doit être en mesure de résister aux pressions et températures du système.
- Lors de l'utilisation de tuyau métalliques sans laiton, veiller à isoler les deux matériaux l'un de l'autre pour éviter la corrosion galvanique.
- Etant donné que le laiton est un matériau doux, utiliser l'outillage adéquat pour raccorder le circuit d'eau. Un outillage inapproprié entraînera des dégâts aux tuyaux.

- REMARQUE**  L'unité ne doit être utilisée que dans un réseau d'alimentation en eau fermé. L'application dans un réseau d'alimentation en eau ouvert conduit à une corrosion excessive de la tuyauterie d'eau.
- Ne jamais utiliser de composants revêtus de zinc dans le circuit d'eau. Une corrosion excessive de ces pièces peut se produire étant donné que des tuyaux de cuivre sont utilisés dans le circuit d'eau interne de l'unité.
 - Lors de l'utilisation d'une vanne à 3 voies dans le circuit d'eau.
Il est très important de garantir une séparation maximale entre l'eau chaude domestique et le circuit d'eau du chauffage par le sol.
 - Lors de l'utilisation d'une vanne à 3 voies ou d'une vanne à 2 voies dans le circuit d'eau, le délai de changement maximal de la vanne sera inférieur à 60 secondes.

Remplissage d'eau

- 1 Raccorder l'alimentation en eau à la vanne de vidange et de remplissage (voir "Principaux composants" à la page 10).
- 2 S'assurer que le purgeur automatique est ouvert (au moins 2 tours).
- 3 Remplir d'eau jusqu'à ce que le manomètre indique une pression d'environ 29 psi (2,0 bar). Retirer l'air du circuit autant que possible à l'aide des vannes de purge d'air. La présence d'air dans le circuit d'eau peut provoquer un dysfonctionnement du chauffage d'appoint.
- 4 Vérifier que la cuve du chauffage d'appoint est remplie d'eau en ouvrant la soupape de décharge de pression. L'eau doit s'écouler par la soupape.

- REMARQUE**  Pendant le remplissage, il se peut qu'il ne soit pas possible de retirer tout l'air du circuit. L'air restant sera retiré par les vannes de purge d'air automatique pendant les premières heures d'utilisation du système. Un remplissage supplémentaire d'eau par la suite sera peut-être nécessaire.
- La pression d'eau indiquée sur le manomètre variera en fonction de la température d'eau (pression supérieure à une température d'eau supérieure). Toutefois, la pression d'eau doit rester au-dessus de 4,3 psi (0,3 bar) à tout moment pour éviter la pénétration d'air dans le circuit.
 - Il se peut que l'unité élimine un peu d'eau excessive par la vanne de surpression.
 - La qualité de l'eau doit être conforme à "Safe Drinking water Act (42 U.S.C. 300f)".

Isolation des tuyaux

L'ensemble du circuit d'eau, y compris tous les tuyaux, doit être isolé pour empêcher toute condensation pendant le refroidissement et toute réduction de la capacité de refroidissement et de chauffage.

Si la température est supérieure à 86°F (30°C) et si l'humidité relative est supérieure à 80%, l'épaisseur des matériaux d'étanchéité doit alors être d'au moins 0,79 inch (20 mm) afin d'éviter toute condensation sur la surface du joint d'étanchéité.

Câblage à réaliser

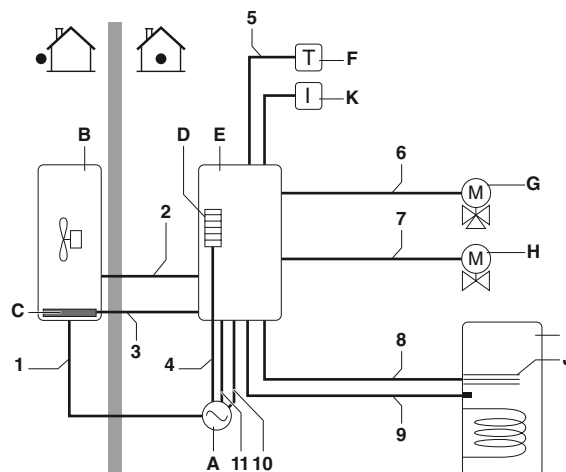


AVERTISSEMENT

- Un commutateur principal ou d'autres moyens de débranchement ayant une séparation de contact sur tous les pôles doit être intégré dans le câblage fixe en fonction de la réglementation et la législation locales concernées.
- Déconnecter l'alimentation électrique avant d'effectuer tout raccordement.
- Utiliser uniquement des câbles en cuivre
- Ne jamais pincer les faisceaux de câbles et s'assurer qu'ils n'entrent pas en contact avec la tuyauterie et des bords tranchants.
S'assurer qu'aucune pression externe n'est appliquée sur les connexions du bornier.
- Tous les câbles et éléments à prévoir sur place doivent être installés par un électricien agréé et doivent être conformes à la réglementation et à la législation locale en vigueur.
- Le câblage sur place doit être réalisé conformément au schéma de câblage fourni avec l'appareil et aux instructions données ci-dessous.
- Veiller à utiliser une alimentation spécifique. Ne jamais utiliser une alimentation électrique partagée par un autre appareil.
- Veiller à établir une connexion à la terre. Ne pas utiliser une canalisation publique, un parasurtenseur ou la terre du téléphone comme masse pour l'unité. Une mise à la terre incomplète peut provoquer des électrocutions.
- Veiller à installer un disjoncteur de fuite à la terre (30 mA) conformément à la législation et à la réglementation locales en la matière. Le non-respect de cette consigne peut provoquer des chocs électriques ou un incendie.
- Veiller à installer les fusibles ou disjoncteurs requis.

Aperçu

L'illustration ci-dessous donne un aperçu du câblage nécessaire sur place entre plusieurs pièces de l'installation. Se référer également à "Exemples d'application typiques" à la page 4.



- A** Alimentation unique pour l'unité extérieure, le chauffage d'appoint et le surchauffage
- B** Unité extérieure
- C** Chauffage de fond de bac EKBPHT^(a)
- D** Chauffage d'appoint
- E** Unité intérieure
- F** Thermostat d'ambiance (option)
- G** Vanne à 3 voies pour ballon d'eau chaude domestique (option)
- H** Vanne à 2 voies pour mode de refroidissement (option)
- I** Ballon d'eau chaude domestique (option)
- J** Surchauffage (option)
- K** Interface utilisateur (commande numérique)

(a) Le chauffage de fond de bac s'utilise uniquement en combinaison avec l'unité ERLQ ou dans le cas du kit EKBPHT.

Élément	Description	Nombre de conducteurs requis	Courant de service maximal
1	Câble d'alimentation pour l'unité extérieure	2+GND	(a)
2	Alimentation de l'unité intérieure et câble de communication	3+GND	(b)
3	Câble électrique pour le chauffage du fond de bac	2	(c)
4	Câble d'alimentation électrique pour chauffage d'appoint	2+GND ou 3+GND	(d)
5	Câble du thermostat d'ambiance	3 ou 4	100 mA ^(e)
6	Câble de commande de vanne à 3 voies	2+GND	100 mA ^(e)
7	Câble de commande de vanne à 2 voies	2+GND	100 mA ^(e)
8	Alimentation électrique du surchauffage et câble de protection thermique	4+GND	(b)
9	Câble de thermistance	2	(f)
10	Câble d'alimentation électrique du surchauffage	2+GND	13 A
11	Câble d'alimentation électrique au tarif nuit (contact sans tension)	2	(g)
12	Câble d'interface utilisateur	2	(h)

(a) Se reporter à la plaquette signalétique sur l'unité extérieure.

(b) Section du câble AWG13 (2,5 mm²)

(c) Section minimale du câble AWG18 (0,75 mm²)

(d) Voir tableau sous "Connexion de l'alimentation électrique du chauffage d'appoint" à la page 19.

(e) Section minimale du câble AWG18 (0,75 mm²)

(f) La thermistance et le câble de raccordement (39,4 ft)(12 m) sont fournis avec le ballon d'eau domestique.

(g) Section du câble AWG18 à AWG16 (0,75~1,25 mm²), longueur maximum: 164 ft (50 m).
Un contact libre de tension garantit la charge minimum applicable de 15 V DC, 10 mA.

(h) Section du câble AWG18 à AWG16 (0,75~1,25 mm²), longueur maximum: 1640 ft (500 m).



ATTENTION

Sélectionner les dimensions de tous les câbles et fils conformément à la réglementation et à la législation locales en vigueur.



AVERTISSEMENT

Après avoir terminé le travail électrique, confirmer que chaque composant électrique et la borne à l'intérieur du coffret électrique sont raccordés fermement.

Câblage interne - Tableau des pièces

Se reporter au schéma de câblage interne fourni avec l'unité (à l'intérieur du couvercle du boîtier électrique de l'unité intérieure). Une liste des abréviations utilisées est donnée ci-dessous.

- A1P Carte PCB principale
- A2P Carte PCB de la commande numérique (interface utilisateur)
- A3P * Thermostat (EKRTWA) (PC= circuit d'alimentation interne) (option)
- A4P * Carte PCB E/S (EKRP1HB) (option)
- E1H Élément de chauffage d'appoint 1
- E2H Élément de chauffage d'appoint 2
- E4H # Surchauffage (3 kW)
- F1B,F3B Fusible de chauffage d'appoint
- F2B # Fusible de surchauffage
- F1T Fusible thermique chauffage d'appoint (250 V, 201,2°F (94°C))
- FU1 Fusible 3,15 A T 250 V pour PCB
- FU2 Fusible 5 A T 250 V
- FU3 Fusible 1 A T 250 V
- FuR,FuS Fusible 5 A 250 V pour PCB E/S numérique
- K1A~K4A Relais pour valves et thermostat
- K5A~K7A Relais pour kit PCB E/S numérique
- K1M Contacteur chauffage d'appoint niveau 1
- K2M Contacteur chauffage d'appoint niveau 2
- K3M # Contacteur de surchauffage
- K4M Relais de pompe
- K5M,K6M Contacteur pour débranchement de tous les pôles du chauffage d'appoint
- M1P Pompe
- M2S ## Vanne à 2 voies pour mode de refroidissement (non fournie)
- M3S # Vanne à 3 voies: chauffage par le sol/eau chaude domestique
- PHC1 Circuit d'entrée de l'optocoupleur
- Q1DI Disjoncteur de fuite à la terre (non fourni)
- Q1L Protection thermique de chauffage d'appoint
- Q2L,Q3L . # Protection thermique de surchauffage
- R1T * Capteur de température ambiante (EKRTWA) (option)
- R1T Thermistance de l'échangeur de chaleur d'eau de sortie
- R2T Thermistance d'eau de sortie de chauffage d'appoint
- R3T Thermistance côté réfrigérant
- R4T Thermistance d'entrée d'eau
- R5T # Thermistance d'eau chaude domestique
- S1L Contacteur de débit
- S1S Relais de station de pompage solaire
- S2S Contact d'alimentation électrique au tarif réduit
- S3S Contact du point de consigne double 2
- S4S Contact du point de consigne double 1
- SS1 Microcommutateur
- TR1,TR2 Transformateur 24 V pour PCB, pour relais et vannes
- V1S Suppresseur d'étincelle 1
- V2S Suppresseur d'étincelle 2
- X1M~X9M Borniers

* En option

Applications avec ballon d'eau chaude domestique uniquement

Applications de chauffage/refroidissement uniquement

Directives de câblage local

- La plupart du câblage local de l'unité intérieure doit être fait sur le bornier à l'intérieur du coffret électrique. Pour accéder au bornier, retirer le couvercle de l'unité intérieure et le panneau de service du coffret électrique, voir "Ouverture de l'unité intérieure" à la page 9.



AVERTISSEMENT

Couper l'alimentation électrique – c.-à-d. le courant de l'unité extérieure et l'alimentation du chauffage d'appoint et du ballon d'eau chaude domestique (le cas échéant) – avant de retirer le panneau de service du coffret électrique.

- Les attache-câbles sont prévus au bas du coffret électrique. Fixer tous les câbles à l'aide des attache-câbles (non fourni).
- Un circuit électrique spécial est requis pour le chauffage d'appoint.
- Les installations équipées d'un ballon d'eau chaude domestique (option) nécessitent un circuit électrique spécifique pour le **surchauffage**.
Se reporter au manuel d'installation du ballon d'eau chaude domestique.

Raccordement de l'alimentation électrique de l'unité intérieure et du câble de communication

Configuration minimale du circuit et des câbles électriques

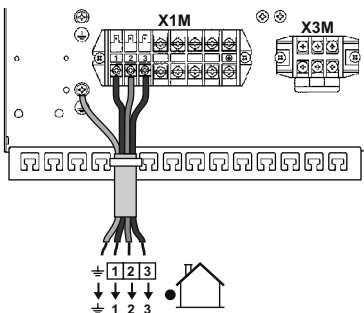
L'alimentation électrique de l'unité intérieure doit être fournie par l'unité extérieure. La communication de données avec l'unité extérieure est fournie via le même câble.

Pour toutes les directives et spécifications relatives au câblage sur place entre l'unité intérieure et l'unité extérieure, se reporter au manuel d'installation de l'unité extérieure.

Procédure

- 1 A l'aide du câble approprié, raccorder le circuit électrique aux bornes appropriées comme indiqué dans le schéma de câblage et l'illustration ci-dessous.
- 2 Raccorder le conducteur de terre (jaune/vert) à la vis de terre sur la plaque de fixation du coffret électrique.
- 3 Fixer le câble aux supports d'attache-câbles au moyen d'attache-câbles pour réduire les contraintes.
- 4 Lors de l'acheminement des câbles, veiller à ce qu'ils ne gênent pas le montage du couvercle de l'unité intérieure, voir figure 3.

Remarque: seul le câblage local pertinent est illustré.



Connexion de l'alimentation électrique du chauffage d'appoint

Exigences imposées au circuit et aux câbles électriques



Utiliser un circuit électrique spécifique pour le chauffage d'appoint et le surchauffage. Ne jamais utiliser un circuit électrique partagé par un autre appareil.

Ce circuit d'alimentation doit être protégé par les dispositifs de sécurité requis en fonction de la réglementation et de la législation locales.

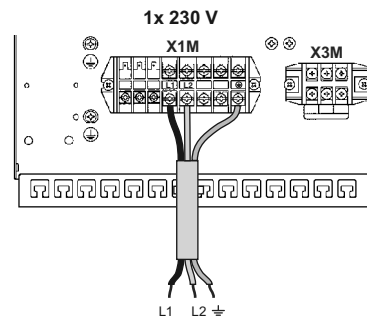
Sélectionner le câble électrique en fonction de la réglementation et de la législation locales en vigueur. Pour le courant de service maximal du chauffage d'appoint, se reporter au tableau ci-dessous.

Modèle d'unité intérieure	Capacité du chauffage d'appoint	Tension nominale du chauffage d'appoint	Ampérage minimal du circuit	Protection contre la surintensité maximale
EKHB*054BA3V3	3 kW	1x 230 V	14,3 A	20 A
EKHB*054BA6V3	6 kW	1x 230 V	28,6 A	30 A

Procédure

- 1 A l'aide du câble approprié, raccorder le circuit électrique au disjoncteur principal comme indiqué dans le schéma de câblage et l'illustration ci-dessous.
- 2 Raccorder le conducteur de terre (jaune/vert) à la vis de terre de la borne X1M.
- 3 Fixer le câble aux supports d'attache-câbles au moyen d'attache-câbles pour réduire les contraintes.

Remarque: seul le câblage local pertinent est illustré.



Raccordement du câble de thermostat

Le raccordement du câble de thermostat dépend de l'application.

Voir également "Exemples d'application typiques" à la page 4 et "Configuration de l'installation du thermostat d'ambiance" à la page 23 pour plus d'informations et connaître les options de configuration concernant le fonctionnement de la pompe en combinaison avec un thermostat d'ambiance.

Exigences de thermostat

- Alimentation électrique: par batterie
- Tension de contact: 24 V.

Procédure

- 1 Raccorder le câble de thermostat aux bornes adéquates comme illustré dans le schéma de câblage et le manuel d'installation du kit de thermostat d'ambiance.
- 2 Fixer le câble aux supports d'attache-câbles au moyen d'attache-câbles pour réduire les contraintes.
- 3 Mettre le microcommutateur SS2-3 de la carte PCB sur ON. Voir "Configuration de l'installation du thermostat d'ambiance" à la page 23 pour plus d'informations.

Raccordement des contacts du premier et du deuxième point de consigne

Le raccordement du contact du point de consigne ne se fait que si le contact du point de consigne double est activé.

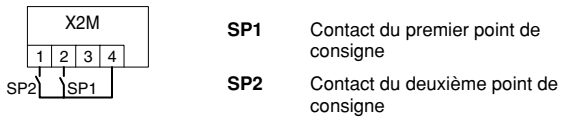
Voir aussi "Exemples d'application typiques" à la page 4 et "Contrôle de point de consigne double" à la page 31.

Exigences de contact

Le contact sera un contact libre de tension qui garantit 24 V (100 mA).

Procédure

- 1 Raccorder le contact du premier et du deuxième point de consigne aux bornes appropriées comme le montre la figure ci-dessous.



- 2 Fixer les câbles aux supports d'attache-câbles au moyen d'attache-câbles pour réduire les contraintes.
- 3 En fonction du fonctionnement requis de la pompe, régler le microcommutateur SS2-3 et le réglage sur place [F-00]. Voir "Configuration du fonctionnement de la pompe" à la page 24 et le réglage sur place [F-00] dans "[F] Configuration des options" à la page 35.

Raccordement des câbles de commande de vanne

Configuration minimale des vannes

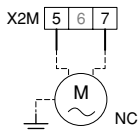
- Alimentation électrique: 24 V AC
- Courant de service maximal: 100 mA

Câblage de la vanne à 2 voies

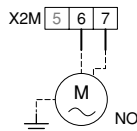
- 1 A l'aide du câble approprié, raccorder le câble de commande de vanne à la borne X2M comme illustré dans le schéma de câblage.

REMARQUE Le câblage est différent pour une vanne NC (normalement fermée) et une vanne NO (normalement ouverte). Veiller à effectuer la connexion aux numéros de bornes corrects comme détaillé dans le schéma de câblage et les illustrations ci-dessous.

Vanne à 2 voies normalement fermée (NC)



Vanne à 2 voies normalement ouverte (NO)



- 2 Fixer le(s) câble(s) aux supports d'attache-câbles au moyen d'attache-câbles pour réduire les contraintes.

Câblage de la vanne à 3 voies

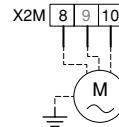
- 1 A l'aide du câble approprié, raccorder le câble de commande de vanne aux bornes appropriées comme illustré dans le schéma de câblage.

REMARQUE Type de vannes à 3 voies à raccorder. (Fourni avec le ballon d'eau chaude domestique en option)



- Vanne à 3 voies de type "SPST 3 fils"
La vanne à 3 voies doit être montée de telle sorte que quand les bornes 9 et 10 sont électrifées, le circuit d'eau chaude domestique soit sélectionné.

Vanne "3 fils SPST"



- 2 Fixer le(s) câble(s) aux supports d'attache-câbles au moyen d'attache-câbles pour réduire les contraintes.

Sélection d'entrée électrique pour transformateur TR2

Cette sélection est nécessaire pour assurer une sortie 24 V AC stable.

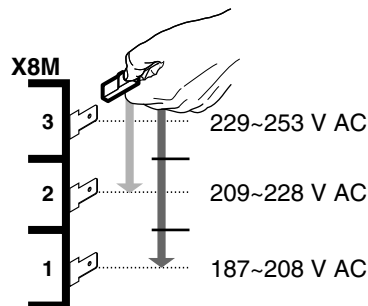
Procédure



DANGER

Couper l'alimentation électrique des appareils concernés (unité extérieure, chauffage d'appoint, surchauffage) avant de changer le connecteur.

- 1 Mesurer la puissance d'entrée principale.
- 2 Rebrancher le fil conformément au résultat de la mesure.



Raccordement à une alimentation électrique à tarif réduit

Les compagnies d'électricité du monde entier mettent tout en œuvre pour offrir un service d'électricité fiable à des prix compétitifs et sont souvent autorisées à facturer leurs clients à des tarifs préférentiels. Par ex. tarifs multiples, tarifs saisonniers, tarif pompe à chaleur en Allemagne et en Autriche, ...

Cet équipement autorise une connexion à ces systèmes d'alimentation électrique avec tarif réduit.

S'adresser au fournisseur d'électricité à l'endroit d'installation de cet équipement pour savoir s'il est recommandé de brancher l'équipement à l'un des systèmes d'alimentation électrique à tarif réduit disponibles le cas échéant.

Si l'équipement est raccordé à ce type d'alimentation à tarif réduit, la compagnie d'électricité est autorisée à :

- couper le courant vers l'équipement pendant une certaine période;
- limiter la consommation électrique de l'équipement pendant une certaine période.

L'unité intérieure est conçue pour recevoir un signal d'entrée grâce auquel l'unité bascule en mode d'arrêt forcé. A ce moment, le compresseur de l'unité extérieure ne fonctionnera pas.



ATTENTION

Pour une alimentation électrique à tarif réduit comme illustré ci-dessous de type 1

- Si l'alimentation électrique au tarif réduit est du type à non interruption de l'alimentation électrique, le contrôle des chauffages est toujours possible.

Pour les différentes possibilités de contrôler les chauffages aux moments où sont actifs les tarifs réduits, se reporter à "[D] Alimentation électrique à tarif réduit/Valeur de décalage local loi d'eau" à la page 34.

Si les chauffages doivent être contrôlés aux moments où l'alimentation électrique aux tarifs réduits est arrêtée, alors ces chauffages seront raccordés à une alimentation électrique séparée.

- Pendant la période où le tarif réduit est activé et où l'alimentation électrique est continue, alors la consommation de courant en veille est possible (PCB, contrôleur, pompe, ...).

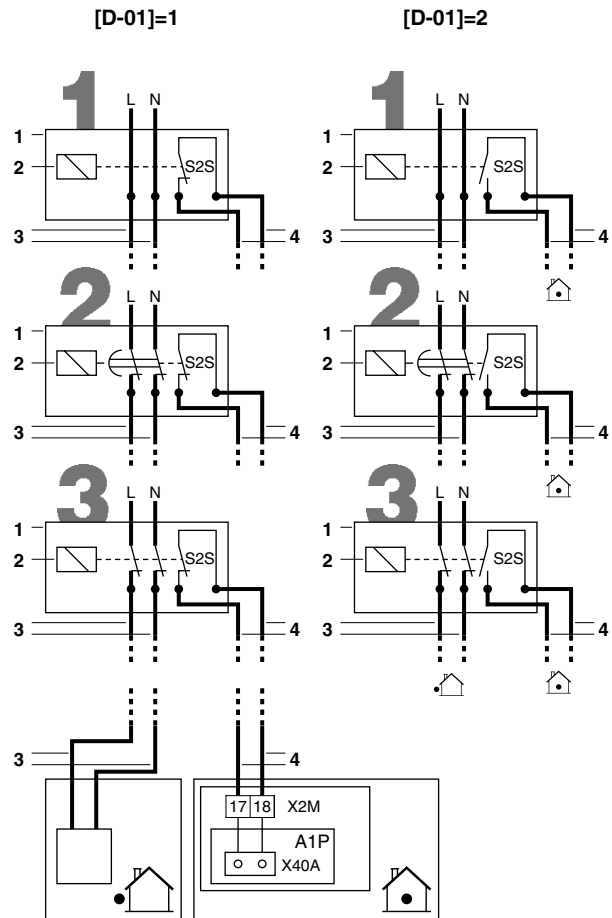
Pour une alimentation électrique à tarif réduit comme illustré ci-dessous de type 2 ou 3

Si pendant l'alimentation électrique à tarif réduit, l'alimentation électrique est coupée, alors les chauffages ne peuvent pas être contrôlés.

- L'interruption de cette alimentation électrique ne doit pas être supérieure à 2 heures, sinon l'horloge en temps réelle du contrôleur sera réinitialisée.
- Pendant l'interruption de l'alimentation électrique, l'affichage du contrôle sera vide.

Types possibles d'alimentation à tarif réduit

La figure ci-dessous représente les connexions possibles et les exigences pour raccorder l'équipement à ce type d'alimentation électrique:



- 1 Boîte d'alimentation électrique à tarif réduit
- 2 Récepteur contrôlant le signal de la compagnie d'électricité
- 3 Alimentation électrique vers l'unité extérieure (se reporter au manuel d'installation fourni avec l'unité extérieure)
- 4 Contact sans tension vers l'unité intérieure

Lorsque l'unité extérieure est connectée à une alimentation électrique à tarif réduit, le contact sans tension du récepteur contrôlant le signal de tarif réduit de la compagnie d'électricité doit être connecté aux pinces 17 et 18 de X2M (comme illustré dans la figure ci-dessus).

Lorsque le paramètre [D-01]=1 au moment où le signal de tarif réduit est envoyé par la compagnie d'électricité, ce contact s'ouvrira et l'unité passera en mode d'arrêt forcé⁽¹⁾.

Lorsque le paramètre [D-01]=2 au moment où le signal de tarif réduit est envoyé par la compagnie d'électricité, ce contact se fermera et l'unité passera en mode d'arrêt forcé⁽²⁾.

Type 1

Ce type d'alimentation électrique à tarif réduit n'est pas interrompu.

Type 2

Ce type d'alimentation électrique à tarif réduit est interrompu une fois la période écoulée.

Type 3

Ce type d'alimentation électrique à tarif réduit est interrompu immédiatement.

- (1) Lorsque le signal est à nouveau libéré, le contact sans tension se fermera et l'unité recommencera à fonctionner. Il est dès lors important de laisser la fonction de redémarrage automatique activée. Se reporter à "[3] Redémarrage automatique" à la page 27.
- (2) Lorsque le signal est à nouveau libéré, le contact sans tension s'ouvrira et l'unité recommencera à fonctionner. Il est dès lors important de laisser la fonction de redémarrage automatique activée. Se reporter à "[3] Redémarrage automatique" à la page 27.



Lors du raccordement de l'équipement à une alimentation électrique à tarif réduit, changer le réglage sur place [D-01]. Si l'alimentation électrique à tarif réduit est du type sans interruption (comme l'illustration ci-dessus en type 1), modifier les deux réglages sur place [D-01] et [D-00]. Se reporter au "[D] Alimentation électrique à tarif réduit/Valeur de décalage local loi d'eau" à la page 34 du chapitre "Réglages sur place".



Si l'alimentation électrique à tarif réduit est du type à non interruption de l'alimentation électrique, l'unité se mettra à l'arrêt de force. Le contrôle de la pompe solaire est toujours possible.

Lorsque le signal d'alimentation électrique à tarif réduit est envoyé, l'indication de contrôle centralisée se mettra à clignoter pour indiquer que le tarif réduit est actif.

Déplacement de la commande numérique

La commande numérique est située d'usine sur l'unité intérieure. (Voir "Principaux composants" à la page 10 pour connaître la position réelle). Si nécessaire, la commande numérique peut être déplacée.

A noter que seule une commande numérique peut être connectée à l'unité intérieure.

Spécifications du câblage

Spécifications des câbles	Valeur
Type	à 2 fils
Section	AWG18 - AWG16 (0,75~1,25 mm ²)
Longueur maximum	1640 ft (500 m)

REMARQUE Le câblage pour la connexion n'est pas inclus.



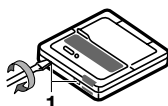
Montage

REMARQUE La commande numérique doit être montée à l'intérieur.

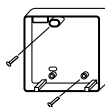


- Retirer la partie avant de la commande numérique.

Insérer un tournevis plat dans les fentes (1) de la partie arrière de la commande numérique et retirer la partie avant de la commande numérique.



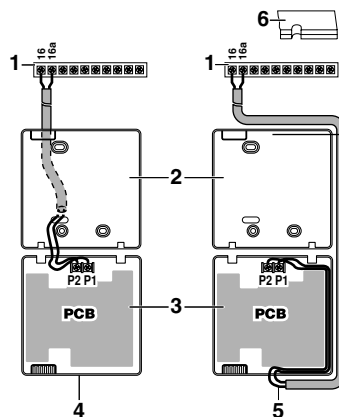
- Serrer la commande numérique sur une surface plane.



REMARQUE Attention à ne pas déformer la partie inférieure de la commande numérique en serrant excessivement les vis de fixation.



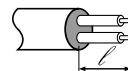
3 Câbler l'unité.



- Unité
- Partie arrière de la commande numérique
- Partie avant de la commande numérique
- Câblage par l'arrière
- Câblage par le haut
- Faire une encoche pour que le câblage passe par les pinces, etc.

Raccorder les bornes sur le dessus de la partie avant de la commande numérique et les bornes à l'intérieur de l'unité (P1 à 16, P2 à 16a).

REMARQUE ■ Lors du câblage, faire passer les câbles loin du câblage d'alimentation afin d'éviter tout bruit électrique (bruit externe).
■ Dénuder le blindage sur la partie qui doit être introduite dans le boîtier de la commande numérique (✓).



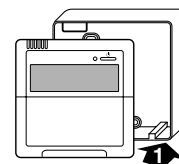
- Remettre en place la partie supérieure de la commande numérique.



ATTENTION

Attention à ne pas coincer les câbles pendant la fixation de la partie supérieure.

Commencer le montage par les attaches du bas.



MISE EN ROUTE ET CONFIGURATION

L'unité intérieure doit être configurée par l'installateur de telle manière qu'elle corresponde à l'environnement de installation (climat extérieur, options installées, etc.) et au mieux aux besoins de l'utilisateur.



Il est important que **toutes** les informations dans ce chapitre soient lues dans l'ordre par l'installateur et que le système soit configuré comme il le faut.

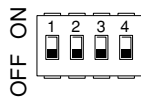
Aperçu des réglages de microcommutateur

Le microcommutateur SS2 est situé sur la carte de circuits imprimés du coffret électrique (voir "Composants principaux du coffret électrique" à la page 11) et permet de configurer l'installation du ballon d'eau chaude domestique, de connecter le thermostat d'ambiance et d'utiliser la pompe.



AVERTISSEMENT

Couper l'alimentation électrique avant d'ouvrir le panneau de service du coffret électrique et de faire des changements au réglage des microcommutateurs.



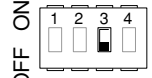
Micro-commutateur SS2	Description	MARCHE	ARRÊT
1	Ne s'applique pas à l'installateur	—	(par défaut)
2	Pose du ballon d'eau chaude domestique (voir "Configuration de pose du ballon d'eau chaude domestique" à la page 24)	Installé	Non installé (par défaut)
3	Connexion du thermostat d'ambiance (voir "Configuration de l'installation du thermostat d'ambiance" à la page 23)	Thermostat d'ambiance connecté	Pas de thermostat d'ambiance connecté (par défaut)
4	Ce réglage ^(a) décide du mode de fonctionnement de la pompe à chaleur lorsqu'il y a une demande simultanée pour plus de chauffage/refroidissement de locaux et de chauffage d'eau domestique.	Priorité de chauffage/refroidissement	Priorité à la demande la plus élevée ^(b)

(a) Uniquement d'application dans le cas du microcommutateur 2 = ON.

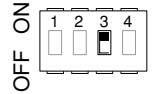
(b) Le mode de chauffage/refroidissement ou d'eau domestique peut être limité par le programmeur et/ou les réglages sur place (4, 5, 8).

Configuration de l'installation du thermostat d'ambiance

■ Lorsqu'aucun **thermostat d'ambiance** n'est raccordé à l'unité intérieure, le commutateur à bascule SS2-3 doit être mis sur **OFF**.



■ Lorsque le **thermostat d'ambiance** est raccordé à l'unité intérieure, le commutateur à bascule SS2-3 doit être mis sur **ON**.



■ Au niveau du thermostat d'ambiance, confirmer les bons réglages ($b-r02=oui$, $b-r05=9$, $b-r06=3$) pour éviter la mise en marche et l'arrêt répétés de la pompe et ménager ainsi sa durée de vie.



■ Lorsque le thermostat d'ambiance est raccordé à l'unité intérieure, les programmeurs de chauffage et de refroidissement ne sont jamais disponibles. Les autres programmeurs ne sont pas affectés. Pour plus d'informations sur les programmeurs, se reporter au mode d'emploi.

■ Lorsqu'un thermostat d'ambiance est raccordé à l'unité intérieure et que le bouton ******* ou **A** est enfoncé, l'indicateur de commande centralisée **A** se mettra à clignoter pour indiquer que le thermostat d'ambiance a priorité et commandera la mise en marche/l'arrêt et le changement.

Le tableau suivant reprend la configuration requise et le câblage de thermostat au niveau du bornier (X2M: 1, 2, 3, 4) dans le coffret électrique. L'utilisation de la pompe est reprise dans la troisième colonne. Les trois dernières colonnes indiquent si la fonctionnalité suivante est disponible sur l'interface utilisateur (UI) ou gérée par le thermostat (T):

- marche/arrêt du chauffage ou refroidissement de locaux (*******)
- changement chauffage/refroidissement (**☀/❄**)
- temporisateurs de chauffage et de refroidissement (**⌚**)

Thermostat	Configuration	Fonctionnement de la pompe	***	☀/❄	⌚
Pas de thermostat	<ul style="list-style-type: none"> • SS2-3 = OFF • Câblage: (non) 	déterminé par la température d'eau de départ ^(a)	UI	UI	UI
	<ul style="list-style-type: none"> • SS2-3 = ON • Câblage: 	marche lorsque le chauffage ou le refroidissement de locaux est activé (***)	UI	UI	UI
Thermostat de chauffage uniquement	<ul style="list-style-type: none"> • SS2-3 = ON • Câblage: (voir manuel d'installation du kit de thermostat d'ambiance) 	marche lors d'une demande de chauffage par le thermostat d'ambiance	T	—	—
Thermostat avec commutateur de chauffage/refroidissement	<ul style="list-style-type: none"> • SS2-3 = ON • Câblage: (voir manuel d'installation du kit de thermostat d'ambiance) 	marche lors d'une demande de chauffage ou d'une demande de refroidissement par le thermostat d'ambiance	T	T	—

(a) La pompe s'arrêtera lorsque le chauffage/refroidissement de locaux est arrêté ou lorsque l'eau atteint la température d'eau désirée telle qu'utilisée sur l'interface utilisateur. Avec le chauffage/refroidissement activé, la pompe tournera ensuite toutes les 5 minutes pendant 3 minutes pour vérifier la température d'eau.

Configuration du fonctionnement de la pompe

REMARQUE Pour régler la vitesse de la pompe, se reporter à "Réglage de la vitesse de pompe" à la page 25.

Sans thermostat d'ambiance: microcommutateur SS2-3 = OFF

Lorsqu'il n'y a pas de thermostat raccordé à l'unité intérieure, le fonctionnement de la pompe sera déterminé par la température de l'eau de départ.

Pour forcer un fonctionnement en continu de la pompe lorsqu'aucun thermostat d'ambiance n'est raccordé, procéder comme suit:

- mettre le commutateur à bascule SS2-3 sur ON,
- court-circuiter les numéros de borne 1-2-4 du bornier du coffret électrique.

Avec le microcommutateur du thermostat d'ambiance: SS2-3 = ON

Lorsque le thermostat est connecté à l'unité intérieure, la pompe s'actionnera en continu chaque fois qu'il y a une demande de chauffage ou de refroidissement par le thermostat.

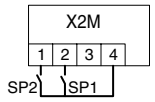
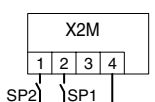
Point de consigne double

Lorsque le point de consigne double est activé, le fonctionnement de la pompe sera déterminé en fonction du statut du microcommutateur SS2-3 et des contacts de sélection de point de consigne. Se reporter aux configurations de fonctionnement de pompe lorsque le thermostat est connecté ou non comme décrit ci-dessus.

! Lorsque le point de consigne double est activé, le "fonctionnement de pompe forcé en continu" n'est pas possible. Lorsque le SS2-3 est activé pendant que SP1 et SP2 sont tous deux fermés, le fonctionnement de la pompe sera le même "qu'avec thermostat d'ambiance" et le deuxième point de consigne sera le point de consigne applicable. Se reporter à "Contrôle de point de consigne double" à la page 31.

Le tableau suivant reprend la configuration requise et le câblage au niveau du bornier (X2M: 1, 2, 4) dans le coffret électrique. L'utilisation de la pompe est reprise dans la troisième colonne. Les trois dernières colonnes indiquent si la fonctionnalité suivante est disponible sur l'interface utilisateur (UI) ou gérée par les contacts de sélection de point de consigne SP1 et SP2:

- marche/arrêt du chauffage ou refroidissement de locaux (☺☹)
- changement chauffage/refroidissement (☀/❄)
- temporisateurs de chauffage et de refroidissement (⌚)

Point de consigne double				
Configuration	Fonctionnement de la pompe	☺☹	☀/❄	⌚
<ul style="list-style-type: none"> • [7-02]=1 • SS2-3 = OFF • Câblage: 	déterminé par la température d'eau de départ ^(a)	UI	UI	UI
<ul style="list-style-type: none"> • [7-02]=1 • SS2-3 = ON • Câblage: 	activé quand le point de consigne principal ou/et secondaire est requis	SP2/SP1	UI	—

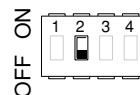
SP1 = Contact du premier point de consigne

SP2 = Contact du deuxième point de consigne

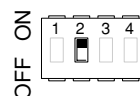
(a) La pompe s'arrêtera lorsque le chauffage/refroidissement de locaux est arrêté ou lorsque l'eau atteint la température d'eau désirée telle qu'utilisée sur l'interface utilisateur. Avec le chauffage/refroidissement activé, la pompe tournera ensuite toutes les 5 minutes pendant 3 minutes pour vérifier la température d'eau.

Configuration de pose du ballon d'eau chaude domestique

■ Lorsqu'aucun **ballon d'eau chaude domestique** n'est installé, le commutateur à bascule SS2-2 doit être mis sur **OFF** (par défaut).



■ Lorsqu'un **ballon d'eau chaude domestique** est installé, le commutateur à bascule SS2-2 doit être mis sur **ON**.



Lorsque SS2-3 est mis sur ON sans les raccords de câblage nécessaires et corrects entre l'unité intérieure et le coffret électrique du ballon d'eau chaude domestique, le code d'erreur RC s'affichera sur l'interface utilisateur.

Mise en route initiale à faibles températures extérieures

Lors du démarrage initial et lorsque la température est trop basse, il est important de chauffer l'eau graduellement. Le non respect de cette consigne peut entraîner des fissures dans les sols en béton en raison du changement de température rapide. Prière de contacter l'entrepreneur du bâtiment en béton coulé responsable pour plus de détails.

Pour se faire, la température de réglage d'eau sortant la plus basse doit être réduite à une valeur entre 59°F (15°C) et 77°F (25°C) en ajustant le réglage sur place [9-01] (Limite inférieure du point de consigne de chauffage). Se reporter à "Réglages sur place" à la page 26.



Le chauffage entre 59°F (15°C) et 77°F (25°C) est confié au chauffage d'appoint uniquement.

Vérifications avant utilisation

Vérifications avant premier démarrage



DANGER

Déconnecter l'alimentation électrique avant d'effectuer toute connexion.

Une fois l'unité installée et avant de mettre le disjoncteur en marche, prière de contrôler les points suivants:

1 Câblage sur place

S'assurer que le câblage sur place entre le panneau d'alimentation local et l'unité intérieure, l'unité extérieure et l'unité intérieure, l'unité intérieure et les vannes (le cas échéant), l'unité intérieure et le thermostat d'ambiance (le cas échéant), et l'unité intérieure et le ballon d'eau chaude domestique a été effectué conformément aux instructions décrites dans le chapitre "Câblage à réaliser" à la page 17, conformément aux schémas de câblage et conformément à la réglementation et à la législation locales.

2 Fusibles, disjoncteurs ou dispositifs de protection

Vérifier que les fusibles, disjoncteurs ou les dispositifs de protection installés localement sont de la taille et du type spécifiés dans le chapitre "Spécifications techniques" à la page 44. S'assurer qu'aucun fusible ou dispositif de protection n'a été court-circuité.

3 Disjoncteur du chauffage d'appoint F1B/F3B

Ne pas oublier d'activer le disjoncteur de chauffage d'appoint F2B dans le coffret électrique (F1B/F3B dépend du type de chauffage d'appoint). Se reporter au schéma de câblage.

4 Disjoncteur du chauffage d'appoint F2B

Ne pas oublier de mettre le disjoncteur de chauffage d'appoint F2B du coffret électrique (s'applique uniquement aux unités avec ballon d'eau chaude domestique optionnel installé).

5 Câblage de masse

S'assurer que les câbles de mise à la terre ont été correctement raccordés et que les bornes de terre sont bien serrées.

6 Câblage interne

Vérifier visuellement le boîtier de commande afin de détecter tout desserrement au niveau des connexions ou tout endommagement des composants électriques.

7 Fixation

Afin d'éviter des vibrations et des bruits anormaux au démarrage de l'unité, s'assurer que l'unité est correctement fixée.

8 Equipement endommagé

Vérifier l'intérieur de l'unité afin de vous assurer qu'aucun composant n'est endommagé ou qu'aucune conduite n'est coincée.

9 Fuite de réfrigérant

Vérifier l'intérieur de l'unité afin de vous assurer qu'il n'y a pas de fuites de réfrigérant. En cas de fuite du réfrigérant, appeler votre revendeur le plus proche.

10 Tension de l'alimentation

S'assurer que la tension de l'alimentation du panneau d'alimentation local correspond à la tension indiquée sur l'étiquette d'identification de l'unité.

11 Purgeur

S'assurer que le purgeur est ouvert (au moins 2 tours).

12 Soupape de décharge de pression

Vérifier si le chauffage d'appoint est plein d'eau en actionnant la soupape de décharge de pression. Il faut purger l'eau au lieu de l'air.

REMARQUE



L'utilisation du système avec le chauffage d'appoint non rempli complètement d'eau risque d'endommager le chauffage d'appoint.

13 Vannes d'arrêt

S'assurer que les vannes d'arrêt sont correctement installées et entièrement ouvertes.

REMARQUE



Faire fonctionner le système avec des vannes fermées endommagera la pompe.

Mise sous tension de l'unité intérieure

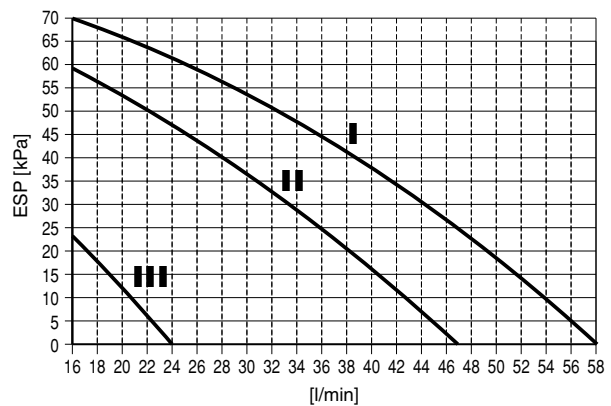
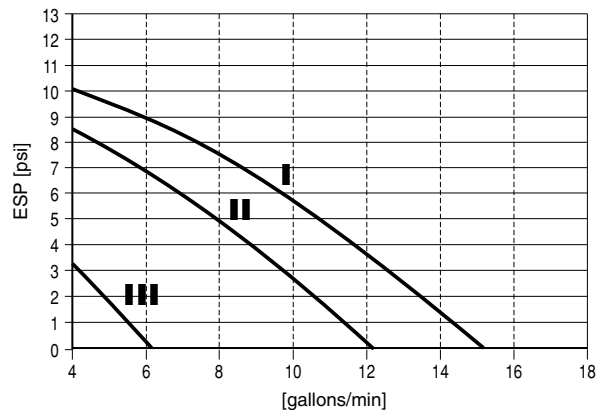
Lorsque l'unité intérieure est alimentée en électricité, "88" s'affiche sur l'interface utilisateur pendant son initialisation, ce qui peut prendre jusqu'à 30 secondes. Pendant ce processus, l'interface utilisateur ne peut pas fonctionner.

Réglage de la vitesse de pompe

La vitesse de pompe peut être sélectionnée sur la pompe (voir "Principaux composants" à la page 10).

Le réglage par défaut est la vitesse maximale (I). Si le débit d'eau dans le système est trop élevé (par ex. bruit d'eau qui coule dans l'installation), la vitesse peut être réglée sur la vitesse moyenne (II) ou la vitesse basse (III).

La pression statique externe disponible (ESP, exprimée en psi (kPa)) en fonction du débit d'eau (gallons/min (l/min)), est représentée dans le graphique ci-dessous.



Réglages sur place

L'unité intérieure doit être configurée par l'installateur pour qu'elle corresponde à l'environnement d'installation (climat extérieur, options installées, etc.) et la demande de l'utilisateur. Pour ce faire, un nombre de réglages sur place est disponible. Ces réglages sur place sont accessibles et programmables via l'interface utilisateur de l'unité intérieure.

Chaque réglage sur place reçoit un numéro à 3 chiffres ou code, par exemple [1-03], qui apparaît à l'écran de l'interface utilisateur. Le premier chiffre [1] indique le 'premier code' ou le groupe de réglage sur place. Les second et troisième chiffres [03] ensemble indiquent le 'second code'.

Une liste de tous les réglages sur place et des valeurs par défaut est donnée sous "Tableau de réglage sur place" à la page 36. Dans cette même liste, il y a 2 colonnes permettant d'enregistrer la date et la valeur des réglages sur place modifiés par rapport à la valeur par défaut.

Une description détaillée de chaque réglage sur place est donnée sous "Description détaillée" à la page 26.

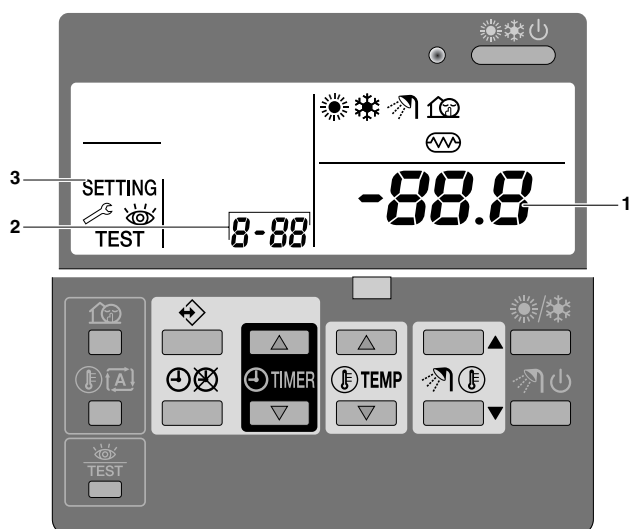
Procédure

Pour changer un ou plusieurs réglages sur place, procéder comme suit.



Les valeurs de température affichées sur la commande numérique (interface utilisateur) sont en °C.

Les valeurs de température en °C sont entre parenthèses. La conversion des °C en °F est donnée à titre d'information uniquement.



- Appuyer sur le bouton pendant un minimum de 5 secondes pour entrer en FIELD SET MODE. L'icône **SETTING** (3) s'affichera. Le code de réglage sur place actuellement sélectionné s'affiche **8-88** (2), avec la valeur réglée affichée à droite **-88.8** (1).
- Appuyer sur le bouton pour sélectionner le premier code de réglage sur place approprié.
- Appuyer sur le bouton pour sélectionner le second code de réglage sur place approprié.
- Appuyer sur le bouton et sur le bouton pour changer la valeur réglée du réglage sur place sélectionné.
- Conservé la nouvelle valeur en appuyant sur le bouton .
- Répéter les étapes 2 à 4 pour changer les autres réglages sur place si nécessaire.
- Lorsque c'est terminé, appuyer sur le bouton pour quitter FIELD SET MODE.

REMARQUE Les changements effectués à un réglage sur place spécifique sont uniquement conservés lorsque le bouton est enfoncé. La navigation vers un nouveau code de réglage sur place ou la pression sur le bouton éliminera le changement fait.



- Avant l'expédition, les valeurs ont été réglées comme illustré sous "Tableau de réglage sur place" à la page 36.
- Au moment de quitter FIELD SET MODE, "88" peut s'afficher sur l'écran LCD de l'interface utilisateur pendant que l'unité s'initialise.

Description détaillée

[0] Niveau de permission utilisateur

Si nécessaire, certains boutons de l'interface utilisateur peuvent être rendus indisponibles à l'utilisateur.

Trois niveaux de permission sont définis (voir le tableau ci-dessous). Le passage entre le niveau 1 et le niveau 2/3 se fait en appuyant simultanément sur les touches et puis en appuyant tout de suite après sur les touches et , et en maintenant les 4 touches enfoncées pendant au moins 5 secondes (en mode normal). A noter qu'aucune indication concernant l'interface utilisateur n'est donnée. Lorsque le niveau 2/3 est sélectionné, le niveau de permission réel – soit le niveau 2, soit le niveau 3 – est déterminé par le réglage sur place [0-00].

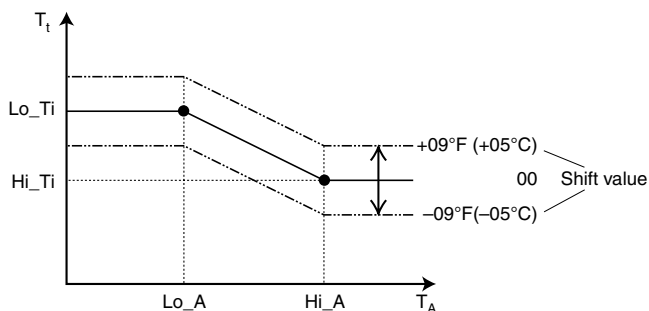
Bouton	Niveau de permission		
	1	2	3
Bouton de mode discret		utilisable	—
Bouton de loi d'eau		utilisable	—
Bouton d'activation/désactivation de temporisateur		utilisable	utilisable
Bouton de programmation		utilisable	—
Boutons de réglage de l'heure	 	utilisable	—
Touche d'inspection/fonctionnement d'essai		utilisable	—

[1] Loi d'eau (mode de chauffage uniquement)

Les réglages sur place de la loi d'eau définissent les paramètres du fonctionnement avec loi d'eau. Lorsque le fonctionnement avec loi d'eau est actif, la température d'eau est déterminée automatiquement en fonction de la température extérieure: des températures extérieures plus froides entraîneront de l'eau plus chaude et vice versa. Pendant un fonctionnement avec loi d'eau, l'utilisateur a la possibilité d'augmenter ou d'abaisser la température d'eau cible d'un maximum de 9°F (5°C). Voir le manuel d'utilisation pour plus de détails sur le fonctionnement avec loi d'eau.

- [1-00] Faible température ambiante (Lo_A): faible température ambiante.
- [1-01] Température ambiante élevée (Hi_A): température ambiante élevée.
- [1-02] Point de consigne à faible température ambiante (Lo_Ti): la température d'eau sortante cible lorsque la température extérieure est inférieure ou égale à la faible température ambiante (Lo_A).
A noter que la valeur Lo_Ti doit être supérieure à Hi_Ti, étant donné que pour des températures extérieures plus froides (c.-à-d. Lo_A), de l'eau plus chaude est requise.

- [1-03] Point de consigne à température ambiante élevée (Hi_Ti): la température d'eau sortante cible lorsque la température extérieure est supérieure ou égale à la température ambiante élevée (Hi_A).
A noter que la valeur Hi_Ti doit être *inférieure* à Lo_Ti, étant donné que pour des températures extérieures plus chaudes (c.-à-d. Hi_A), de l'eau moins chaude est suffisante.



T_t Température d'eau cible
 T_A Température ambiante (extérieure)

Shift value = Valeur de décalage

[2] Fonction de désinfection

S'applique uniquement aux installations avec un ballon d'eau chaude domestique.

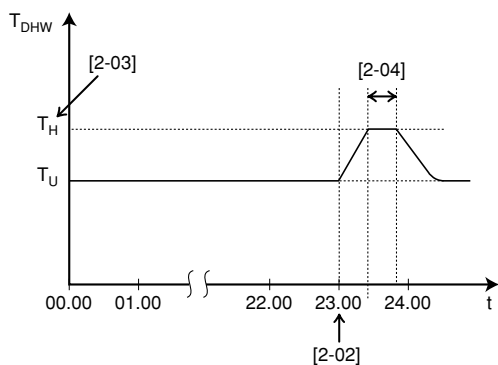
La fonction de désinfection désinfecte le ballon d'eau chaude domestique en chauffant périodiquement l'eau chaude domestique à une température spécifique.



ATTENTION

Les réglages sur place de la fonction de désinfection doivent être configurés par l'installateur en fonction de la réglementation et de la législation locales.

- [2-00] Intervalle de fonctionnement: jour(s) de la semaine où l'eau chaude domestique doit être chauffée.
- [2-01] Statut: définit si la fonction de désinfection est activée (1) ou désactivée (0).
- [2-02] Heure de départ: heure de la journée où l'eau chaude domestique doit être chauffée.
- [2-03] Point de consigne: température d'eau élevée à atteindre.
- [2-04] Intervalle: période de temps définissant la durée de maintien de la température au point de consigne.



T_{DHW} Température d'eau chaude domestique
 T_U Température de point de consigne utilisateur (telle que réglée sur l'interface utilisateur)
 T_H Température de point de consigne haute [2-03]
 t Heure



AVERTISSEMENT

A noter que la température d'eau chaude domestique au robinet d'eau chaude sera également à la valeur sélectionnée dans le réglage sur place [2-03] après une opération de désinfection.

Si cette température d'eau chaude domestique élevée peut représenter un risque potentiel de blessures, une vanne de mélange (à fournir) sera installée sur le raccord de sortie d'eau chaude du ballon d'eau chaude domestique. Cette vanne de mélange veillera à ce que la température d'eau chaude au robinet d'eau chaude ne dépasse jamais une valeur maximale définie. Cette température d'eau chaude maximale permise sera sélectionnée en fonction de la réglementation et la législation locale.

[3] Redémarrage automatique

Lorsque l'électricité revient après une coupure de courant, la fonction de redémarrage automatique rétablit les réglages de l'interface utilisateur au moment de la panne de courant.

REMARQUE Il est dès lors recommandé de laisser la fonction de redémarrage automatique activée.



A noter qu'avec la fonction désactivée, le temporisateur ne sera pas activé lorsque l'alimentation de l'unité sera rétablie après une coupure de courant. Appuyer sur la touche \odot pour réactiver le temporisateur.

- [3-00] Statut: définit si la fonction de redémarrage automatique est sur **ON (0)** ou sur **OFF (1)**.

REMARQUE Si l'alimentation électrique à tarif réduit est du type à interruption de l'alimentation électrique, alors toujours laisser la fonction de redémarrage automatique.



[4] Fonctionnement du chauffage d'appoint/surchauffage et température d'arrêt du chauffage de locaux

Fonctionnement du chauffage d'appoint

Le chauffage d'appoint peut être tout à fait activé ou désactivé ou il peut être désactivé en fonction du fonctionnement du surchauffage.

- [4-00] Statut: définit si le fonctionnement du chauffage d'appoint est activé (1) ou désactivé (0).
- [4-01] Priorité: définit si le chauffage d'appoint et le surchauffage peuvent fonctionner simultanément (0), ou si le surchauffage a priorité sur le fonctionnement du chauffage d'appoint (1) ou si le fonctionnement du chauffage d'appoint a priorité sur le fonctionnement du surchauffage (2).

REMARQUE Lorsque le réglage sur place de la priorité est mis sur ON (1), les performances du chauffage de locaux du système peut être réduit aux températures extérieures basses étant donné qu'en cas de demande d'eau chaude domestique, le chauffage d'appoint ne sera pas disponible pour le chauffage de locaux (le chauffage de locaux sera toujours fourni par la pompe à chaleur).



Lorsque le réglage sur place prioritaire est mis sur ON (2), les performances de chauffage de l'eau domestique du système peuvent diminuer aux basses températures extérieures étant donné qu'en cas de demande de chauffage, le surchauffage ne sera pas disponible pour le chauffage de l'eau domestique. Toutefois, le chauffage de l'eau domestique par la pompe à chaleur sera toujours disponible.

Lorsque le réglage sur place de la priorité est mis sur OFF (0), s'assurer que la consommation électrique ne dépasse pas les limites de l'alimentation.

Température d'arrêt du chauffage de locaux

- [4-02] Température d'arrêt du chauffage de locaux: température extérieure au-dessus de laquelle le chauffage de locaux s'arrête pour éviter une surchauffe.

Fonctionnement du surchauffage

S'applique uniquement aux installations avec un ballon d'eau chaude domestique.

Le fonctionnement du surchauffage peut être activé ou limité en fonction de la température extérieure (T_A), de la température d'eau chaude domestique (T_{DHW}) ou du mode de fonctionnement de la pompe à chaleur.

- [4-03] Fonctionnement du surchauffage: définit si le fonctionnement du surchauffage en option est activé (1) ou a certaines limites (0/2/3).

Explication des réglages de [4-03]

Le surchauffage va/peut uniquement fonctionner si le mode d'eau chaude domestique est activé (☞).

- [4-03]=0, alors le fonctionnement du surchauffage est uniquement permis pendant "[2] Fonction de désinfection" et "Chauffage d'eau domestique puissant" (voir manuel d'utilisation).

Ce réglage est uniquement recommandé au cas où la capacité de la pompe à chaleur peut couvrir les exigences de chauffage de la maison et d'eau chaude domestique pendant toute la saison de chauffage.

Le résultat de ce réglage est que l'eau chaude domestique ne sera jamais chauffé par le surchauffage, sauf pour "[2] Fonction de désinfection" et "Chauffage d'eau domestique puissant" (voir manuel d'utilisation).



Si le fonctionnement du surchauffage est limité ([4-03]=0) et que la température extérieure ambiante T_A est inférieure au réglage sur place auquel le paramètre [5-03] est réglé et [5-02]=1, alors l'eau chaude domestique ne sera pas chauffée.

La conséquence de ce réglage est que la température d'eau chaude domestique (T_{DHW}) peut correspondre au maximum à la température d'ARRÊT de la pompe à chaleur ($T_{HP OFF}$). Se reporter au réglage de [6-00] et [6-01] dans "[6]" à la page 29.

- [4-03]=1, alors le fonctionnement du surchauffage est uniquement déterminé par la température d'ARRÊT du surchauffage ($T_{BH OFF}$), la température de MARCHE du surchauffage ($T_{BH ON}$) et/ou le programmeur. Se reporter au réglage "[7-00]" à la page 30 et "[7-01]" à la page 31.

- [4-03]=2, alors le fonctionnement du surchauffage n'est autorisé que si la pompe à chaleur est en dehors de la "plage de fonctionnement" du mode de chauffage d'eau domestique de la pompe à chaleur ($T_A < [5-03]$ ou $T_A > 95^\circ\text{F}(35^\circ\text{C})$) ou si la température d'eau chaude domestique est de $3,6^\circ\text{F}(2^\circ\text{C})$ inférieure à la température d'ARRÊT de pompe à chaleur ($T_{HP OFF}$) pour le mode d'eau chaude domestique ($T_{DHW} > T_{HP OFF} - 3,6^\circ\text{F}(2^\circ\text{C})$). (Se reporter au réglage [5-03] à la page 28, [6-00] à la page 29 et [6-01] à la page 29).

Entraîne la couverture la plus optimale de l'eau chaude domestique chauffée par la pompe.

- [4-03]=3, alors le fonctionnement du surchauffage est le même que le réglage 1, sauf que le surchauffage est sur ARRÊT lorsque la pompe à chaleur est active en mode d'eau chaude domestique. La conséquence de cette fonctionnalité est que le réglage [8-03] n'est pas judicieux. Entraîne une couverture optimale de l'eau chaude domestique chauffée par la pompe à chaleur par rapport à [8-04].



- Lorsque le réglage [4-03]=1/2/3, le fonctionnement du surchauffage peut toujours être limité par le programmeur aussi. C'est-à-dire que le fonctionnement du surchauffage est préférable pendant une certaine période de la journée. (Voir le manuel d'utilisation)
- Lorsque le réglage [4-03]=2, le surchauffage sera autorisé à fonctionner lorsque $T_A < [5-03]$ est indépendant du statut de [5-02]. Si le mode bivalent est activé et que le signal de permission pour la chaudière auxiliaire est activé, le surchauffage sera restreint même si $T_A < [5-03]$. (Voir "[C-02]" à la page 33).
- Le surchauffage est toujours autorisé pendant la fonction de désinfection, sauf pendant la période où le fonctionnement du chauffage d'appoint est requis pour des raisons de sécurité et [4-02]=1.

[5] Température d'équilibre et température de priorité de chauffage de locaux

Température d'équilibre — Les réglages sur place de 'température d'équilibre' s'appliquent au fonctionnement du **chauffage d'appoint**.

Lorsque la fonction de température d'équilibre est activée, le fonctionnement du chauffage d'appoint est restreint aux basses températures extérieures, c.-à-d. lorsque la température extérieure équivaut ou baisse sous la température d'équilibre spécifiée. Lorsque la fonction est désactivée, le fonctionnement du chauffage d'appoint est possible à toutes les températures extérieures. L'activation de cette fonction réduit le temps de travail du chauffage d'appoint.

- [5-00] Statut de la température d'équilibre: spécifie si la fonction de température d'équilibre est activée (1) ou désactivée (0).
- [5-01] Température d'équilibre: température extérieure sous laquelle le fonctionnement du chauffage d'appoint est permise.

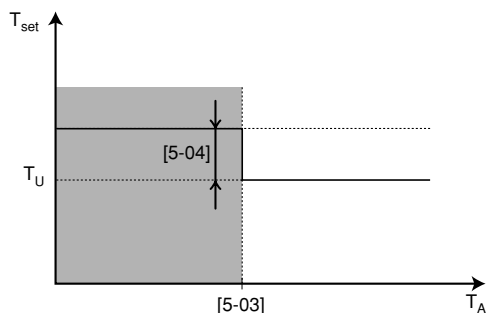
Température de priorité de chauffage de locaux — S'applique uniquement aux installations avec un ballon d'eau chaude domestique. Les réglages sur place de la 'température prioritaire de chauffage de locaux' s'appliquent au fonctionnement de la vanne à 3 voies et au **surchauffage** dans le ballon d'eau chaude domestique. Lorsque la fonction de priorité de chauffage de locaux est activée, il est certain que la capacité maximale de la pompe à chaleur est utilisée pour le chauffage de locaux uniquement lorsque la température extérieure équivaut ou descend sous la température de priorité de chauffage de locaux spécifiée, c.-à-d. une basse température extérieure. Dans ce cas, l'eau chaude domestique sera uniquement chauffée par le surchauffage.

- [5-02] Statut de priorité de chauffage de locaux: spécifie si la priorité de chauffage de locaux est activée (1) ou désactivée (0).
- [5-03] Température de priorité de chauffage de locaux: température extérieure sous laquelle l'eau chaude domestique sera chauffée par le surchauffage uniquement, c.-à-d. la température extérieure basse.



Si le fonctionnement du surchauffage est limité ([4-03]=0) et que la température extérieure ambiante T_A est inférieure au réglage sur place auquel le paramètre [5-03] est réglé et [5-02]=1, alors l'eau chaude domestique ne sera pas chauffée.

- [5-04] Correction du point de consigne pour température d'eau chaude domestique: correction du point de consigne pour la température d'eau chaude domestique désirée, à appliquer à la basse température extérieure lorsque la priorité de chauffage de locaux est activée. Le point de consigne corrigé (vers le haut) veillera à ce que la capacité de chauffage *totale* de l'eau dans le ballon reste approximativement inchangée en compensant la couche d'eau plus froide au bas du ballon (parce que le serpentin d'échangeur thermique ne fonctionne pas) par une couche supérieure plus chaude.



- T_{set} Température du point de consigne d'eau chaude domestique
- T_U Point de consigne utilisateur (tel que réglé sur l'interface utilisateur)
- T_A Température ambiante (extérieure)
- Priorité de chauffage de locaux



AVERTISSEMENT

A noter que la température d'eau chaude domestique augmentera automatiquement de la valeur sélectionnée dans le réglage sur place [5-04] (si la température extérieure baisse sous le réglage sur place [5-03]) par rapport au point réglé par l'utilisateur pour l'eau chaude domestique (T_U). Se reporter au réglage sur place [5-03], [7-00] et au manuel d'utilisation pour sélectionner le point de consigne préférable.

Si cette température d'eau chaude domestique élevée peut représenter un risque potentiel de blessures, une vanne de mélange (à fournir) sera installée sur le raccord de sortie d'eau chaude du ballon d'eau chaude domestique. Cette vanne de mélange veillera à ce que la température d'eau chaude au robinet d'eau chaude ne dépasse jamais une valeur maximale définie. Cette température d'eau chaude maximale permise sera sélectionnée en fonction de la réglementation et la législation locale.

[6] DT pour mode de chauffage d'eau domestique de pompe à chaleur

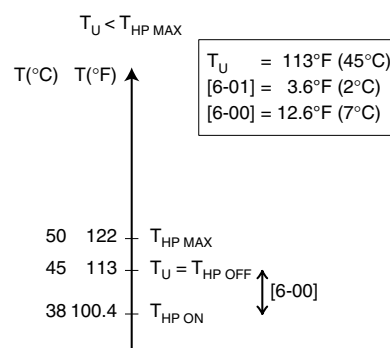
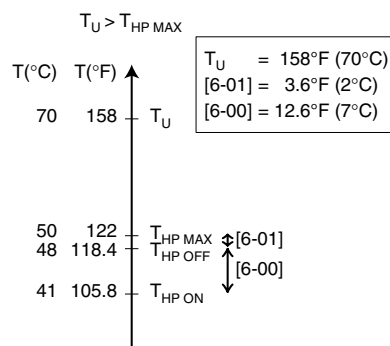
S'applique uniquement aux installations avec un ballon d'eau chaude domestique.

Les réglages sur place 'DT (différence de température) pour le mode de chauffage d'eau domestique de la pompe à chaleur' déterminent les températures auxquelles le chauffage de l'eau chaude domestique par la pompe à chaleur commencera (c.-à-d., la température de mise en marche de la pompe à chaleur) et s'arrêtera (c.-à-d. la température d'arrêt de la pompe à chaleur).

Lorsque la température de l'eau chaude domestique descend sous la température de mise en marche de la pompe à chaleur ($T_{HP\ ON}$), le chauffage de l'eau chaude domestique par la pompe à chaleur commencera. Dès que la température de l'eau chaude domestique atteint la température d'arrêt de la pompe à chaleur ($T_{HP\ OFF}$) ou la température de point de consigne de l'utilisateur (T_U), le chauffage de l'eau chaude domestique par la pompe à chaleur s'arrêtera (en commutant la vanne à 3 voies).

La température d'arrêt de la pompe à chaleur et la température de mise en marche de la pompe à chaleur et leur rapport avec les réglages sur place [6-00] et [6-01] sont expliqués dans l'illustration ci-dessous.

- [6-00] Début: différence de température déterminant la température de mise en marche de la pompe à chaleur ($T_{HP\ ON}$). Voir illustration.
- [6-01] Arrêt: différence de température déterminant la température d'arrêt de la pompe à chaleur ($T_{HP\ OFF}$). Voir illustration.



- T_U Température de point de consigne utilisateur (telle que réglée sur l'interface utilisateur)
- $T_{HP\ MAX}$ Température maximale de la pompe à chaleur au niveau du capteur dans le ballon d'eau chaude domestique (122°F)(50°C) (en fonction de la T_A)^(a)
- $T_{HP\ OFF}$ Température d'arrêt de la pompe à chaleur
- $T_{HP\ ON}$ Température de mise en marche de la pompe à chaleur

(a) 122°F (50°C) = $T_{HP\ MAX}$ à $T_A \leq 77^\circ\text{F}$ (25°C).
118,4°F (48°C) = $T_{HP\ MAX}$ à $T_A > 77^\circ\text{F}$ (25°C).



La température d'eau chaude domestique maximum qui peut être atteinte avec la pompe à chaleur est de 122°F (50°C). Il est recommandé de sélectionner une $T_{HP\ OFF}$ qui n'est pas supérieure à 118,4°F (48°C) afin d'améliorer les performances de la pompe à chaleur pendant le mode de chauffage d'eau domestique.

Avec un réglage [4-03]=0 ou 2, une attention spéciale pour le réglage [6-00] est recommandée. Un bon équilibre entre la température d'eau chaude domestique et la température de MARCHE de la pompe à chaleur ($T_{HP\ ON}$) est indispensable.

[7] DT pour surchauffage et contrôle de point de consigne double

DT pour surchauffage

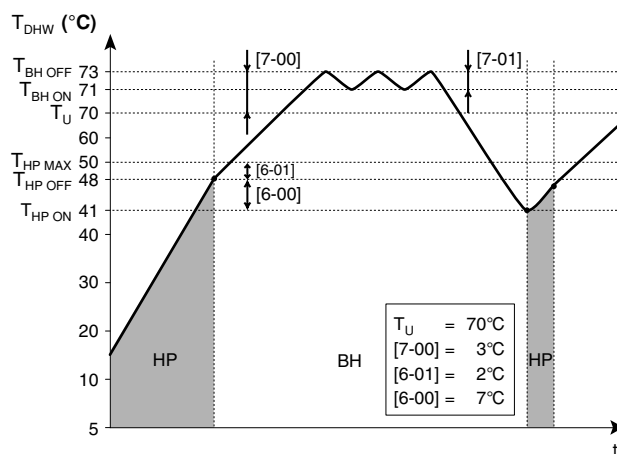
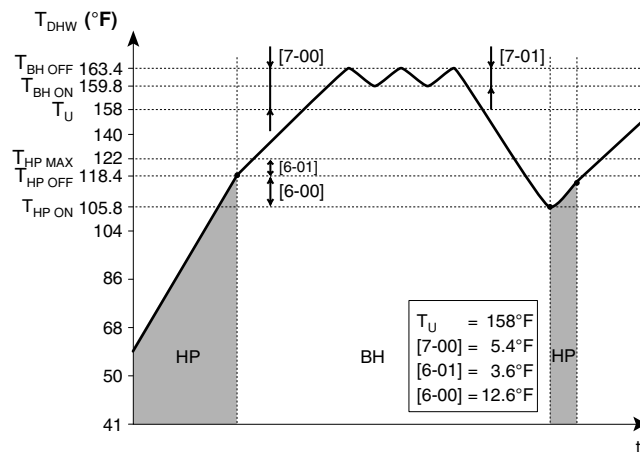
S'applique uniquement aux installations avec un ballon d'eau chaude domestique.

Lorsque l'eau chaude domestique est chauffée et que la température du point de consigne de l'eau chaude domestique (telle que définie par l'utilisateur) a été atteinte, le surchauffage continuera à chauffer l'eau chaude domestique à une température de quelques degrés au-dessus de la température du point de consigne, c.-à-d. la température d'arrêt du surchauffage. Ces degrés supplémentaires sont spécifiés par le réglage sur place de la durée d'étape d'eau chaude domestique. Un réglage correct empêche le surchauffage de se mettre en marche et de s'arrêter sans cesse pour maintenir la température du point de consigne d'eau chaude domestique. Remarque: le surchauffage se remettra en marche lorsque la température de l'eau chaude domestique baisse [7-01] (réglage sur place) sous la température d'arrêt du surchauffage.



Si le programmeur du surchauffage (voir le manuel d'utilisation) est actif, le surchauffage ne fonctionnera que si ce programmeur le permet.

- [7-00] Durée de l'étape d'eau chaude domestique: différence de température au-dessus de la température du point de consigne de l'eau chaude domestique avant que le surchauffage ne s'arrête.



BH	Surchauffage
HP	Pompe à chaleur. Si la durée de chauffage de la pompe à chaleur est trop longue, un chauffage auxiliaire par le surchauffage peut avoir lieu.
$T_{BH\ OFF}$	Température d'arrêt du surchauffage ($T_U + [7-00]$)
$T_{BH\ ON}$	Température de mise en marche du surchauffage ($T_{BH\ OFF} - [7-01]$)
$T_{HP\ MAX}$	Température maximale de la pompe à chaleur au niveau du capteur dans le ballon d'eau chaude domestique
$T_{HP\ OFF}$	Température d'arrêt de la pompe à chaleur ($T_{HP\ MAX} - [6-01]$)
$T_{HP\ ON}$	Température de mise en marche de la pompe à chaleur ($T_{HP\ OFF} - [6-00]$)
T_{DHW}	Température d'eau chaude domestique
T_U	Température de point de consigne utilisateur (telle que réglée sur l'interface utilisateur)
t	Heure



AVERTISSEMENT

A noter que la température d'eau chaude domestique augmentera (toujours) automatiquement de la valeur sélectionnée dans le réglage sur place [7-00] par rapport au point réglé par l'utilisateur pour l'eau chaude domestique (T_U). Se reporter au réglage sur place [7-00] et au manuel d'utilisation pour sélectionner le point de consigne préférable.

Si cette température d'eau chaude domestique élevée peut représenter un risque potentiel de blessures, une vanne de mélange (à fournir) sera installée sur le raccord de sortie d'eau chaude du ballon d'eau chaude domestique. Cette vanne de mélange veillera à ce que la température d'eau chaude au robinet d'eau chaude ne dépasse jamais une valeur maximale définie. Cette température d'eau chaude maximale permise sera sélectionnée en fonction de la réglementation et la législation locale.



Si le fonctionnement du surchauffage est limité ([4-03]=0), alors le point de consigne du paramètre de réglage sur place [7-00] n'a de sens que pour le chauffage d'eau domestique puissant.

- [7-01] Valeur d'hystérésis de surchauffage: différence de température déterminant la température de mise en marche de la pompe à chaleur ($T_{BH ON}$). $T_{BH ON} = T_{BH OFF} - [7-01]$



La valeur minimale de température de mise en marche de surchauffage ($T_{BH ON}$) est de 3,6°F (2°C) (fixe) en dessous de la température d'arrêt de la pompe à chaleur ($T_{HP OFF}$).

Contrôle de point de consigne double

S'applique uniquement aux installations avec émetteurs de chaleur différents qui requièrent des points de consigne différents.

Le contrôle de point de consigne double permet de générer 2 différents point de consigne.

REMARQUE Il n'y a aucune indication disponible sur le point de consigne actif!

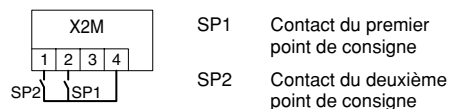


- [7-02] Statut de contrôle de point de consigne double: définit si le contrôle de point de consigne double est activé (1) ou désactivé (0).
- [7-03] Deuxième point de consigne de chauffage: spécifie la température du deuxième point de consigne en mode de chauffage.
- [7-04] Deuxième point de consigne de refroidissement: spécifie la température du deuxième point de consigne en mode de refroidissement.

REMARQUE



- Le premier point de consigne de chauffage/refroidissement est le point de consigne sélectionné sur l'interface utilisateur.
 - En mode de chauffage, le premier point de consigne peut être une valeur fixe ou loi d'eau.
 - En mode de refroidissement, le premier point de consigne est toujours une valeur fixe.
- Le deuxième point de consigne de chauffage [7-03] doit être associé aux émetteurs de chaleur qui requièrent le point de consigne maximal en mode de chauffage. Exemple: ventilo-convecteur
- Le deuxième point de consigne de refroidissement [7-04] doit être associé aux émetteurs de chaleur qui requièrent le point de consigne minimal en mode de refroidissement. Exemple: ventilo-convecteur.
- La valeur réelle du deuxième point de consigne de chauffage dépend de la valeur sélectionnée du réglage [7-03].
 - Dans le cas de [7-03]=1,8~43,2°F (1~24°C), le deuxième point de consigne réel correspondra au premier point de consigne de chauffage augmenté de [7-03] (le maximum est de 131°F (55°C)). De cette manière, le deuxième point de consigne de chauffage est associé au premier point de consigne de chauffage.
 - Dans le cas de [7-03]=77~131°F (25~55°C), le deuxième point de consigne réel de chauffage est égal à [7-03].
- La sélection du deuxième point de consigne ou du premier point de consigne est déterminé par les bornes (X2M: 1, 2, 4).
Le deuxième point de consigne a toujours priorité sur le premier point de consigne.



Lorsque le contrôle de point de consigne double est activé, la sélection de chauffage/refroidissement doit se faire sur l'interface utilisateur.

REMARQUE



Il incombe à l'installateur de veiller à ce qu'aucune situation indésirable ne se produise.

Il est très important que la température d'eau vers les boucles de chauffage au sol n'augmente jamais trop en mode de chauffage ou ne baisse jamais trop en mode de refroidissement. Le non-respect de cette règle peut entraîner des dégâts de construction ou un manque de confort. Par exemple, en mode de refroidissement, de la condensation au sol peut se produire lorsque l'eau est trop froide (point de rosée) vers les boucles de chauffage au sol.

[8] Programmeur du mode de chauffage d'eau domestique

S'applique uniquement aux installations avec un ballon d'eau chaude domestique.

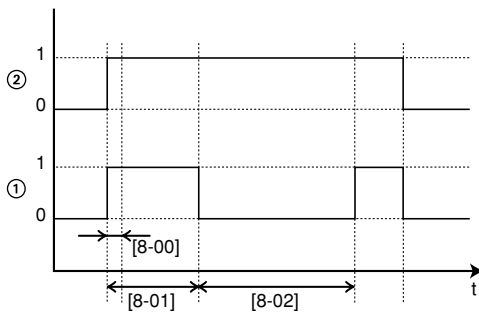
Les réglages sur place du 'programmeur du mode de chauffage d'eau domestique' définissent les temps de chauffage de l'eau domestique minimum et maximum, le temps minimum entre deux cycles de chauffage d'eau domestique par la pompe à chaleur et le délai de surchauffage.

- [8-00] Temps de service minimum: spécifie la période de temps minimale pendant laquelle le mode de chauffage d'eau domestique de pompe à chaleur doit être activé, même lorsque la température d'eau chaude domestique cible pour pompe à chaleur ($T_{HP\ OFF}$) a déjà été atteinte.
- [8-01] Temps de service maximum: spécifie la période de temps maximale pendant laquelle le mode de chauffage d'eau domestique de pompe à chaleur peut être activé, même lorsque la température d'eau chaude domestique cible pour pompe à chaleur ($T_{HP\ OFF}$) n'a pas encore été atteinte. Le délai de fonctionnement maximal réel variera automatiquement entre [8-01] et [8-01]+[8-04] en fonction de la température extérieure. Voir la figure dans le chapitre "[8-04]" à la page 33.



A noter que lorsque l'unité est configurée pour fonctionner avec un thermostat d'ambiance (se reporter à "Configuration de l'installation du thermostat d'ambiance" à la page 23), le programmeur de service maximum sera uniquement pris en compte lorsqu'il y a une demande de refroidissement ou de chauffage de locaux. Lorsqu'il n'y a pas de demande de refroidissement ou de chauffage de la pièce, le chauffage de l'eau domestique par la pompe à chaleur continuera jusqu'à ce que la "température d'arrêt de la pompe à chaleur" (voir les réglages sur place [6] à la page 29) est atteinte. Lorsqu'aucun thermostat d'ambiance n'est installé, le temporisateur est toujours pris en compte.

- [8-02] Heure d'anti-recyclage: spécifie l'intervalle minimal requis entre deux cycles de mode de chauffage d'eau domestique de pompe à chaleur. Le délai d'anti-recyclage réel variera automatiquement entre [8-02] et 0 en fonction de la température extérieure. Voir la figure dans le chapitre "[8-04]" à la page 33.



- 1 Mode de chauffage d'eau domestique de pompe à chaleur (1 = actif, 0 = non actif)
- 2 Demande d'eau chaude pour pompe à chaleur (1 = demande, 0 = pas de demande)
- t Heure

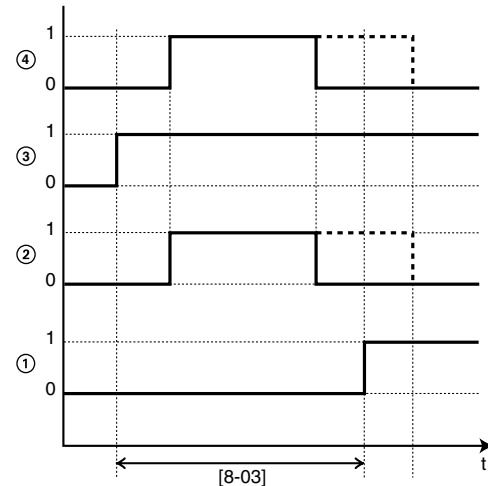


Si la température extérieure est supérieure au réglage sur place auquel le paramètre [4-02] est réglé, alors les réglages sur place des paramètres [8-01], [8-02] et [8-04] ne sont pas pris en compte.

- [8-03] Délai du surchauffage: spécifie le délai de démarrage du surchauffage après l'activation du mode de chauffage de l'eau domestique de pompe à chaleur.



- Lorsque la pompe à chaleur est active en mode de chauffage d'eau domestique, le délai de surchauffage est de [8-03].
- Lorsque la pompe à chaleur n'est pas active en mode de chauffage d'eau domestique, le délai est de 20 min.
- Le programmeur démarre à partir de la température de mise en marche du surchauffage ($T_{BH\ ON}$).



- 1 Fonctionnement du surchauffage (1 = actif, 0 = non actif)
- 2 Mode de chauffage d'eau domestique de pompe à chaleur (1 = actif, 0 = non actif)
- 3 Demande d'eau chaude pour surchauffage (1 = demande, 0 = pas de demande)
- 4 Demande d'eau chaude pour pompe à chaleur (1 = demande, 0 = pas de demande)
- t Heure

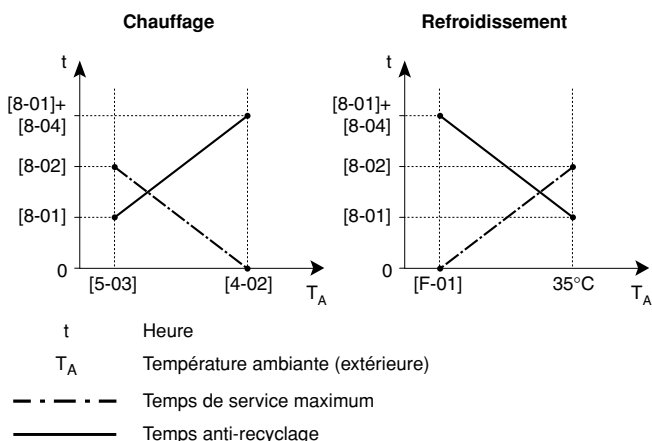


- En adaptant le délai de surchauffage par rapport au temps de fonctionnement maximum, un équilibre optionnel peut exister entre le rendement énergétique et le temps de montée en température.
- Toutefois, si le délai du surchauffage est réglé trop haut, il peut falloir longtemps avant que l'eau chaude domestique atteigne sa température réglée lors de la demande du mode d'eau chaude domestique.
- Le but de [8-03] est de retarder le surchauffage par rapport au délai de fonctionnement de la pompe à chaleur en mode de chauffage d'eau domestique.
- Le réglage [8-03] n'a de sens que si le réglage [4-03]=1. Le réglage [4-03]=0/2/3 limite automatiquement le surchauffage par rapport au délai de fonctionnement de pompe à chaleur en mode de chauffage d'eau domestique.
- Veiller à ce que [8-03] soit toujours en rapport avec le temps de service maximal [8-01].

Exemple: [4-03]=1

	Réglages d'économie d'énergie	Réglages de chauffage rapide (par défaut)
[8-01]	20-95 min	30 min
[8-03]	[8-01] + 20 min	20 min

- [8-04] Temps de service additionnel à [4-02]/[F-01]: spécifie le temps de service additionnel par rapport au temps de service maximum à température extérieure [4-02] ou [F-01]. Voir figure ci-dessus.



! L'avantage maximal de [8-04] sera applicable si le réglage [4-03] n'est pas de 1.

[9] Plages de point de consigne de refroidissement et de chauffage

L'objectif de ce réglage sur place est d'empêcher l'utilisateur de sélectionner une mauvaise température d'eau sortante (c.-à-d. trop chaude ou trop froide). Pour cela, la plage du point de consigne de température de chauffage et la plage du point de consigne de température de refroidissement disponibles pour l'utilisateur peuvent être configurées.

! ATTENTION

- Dans le cas du chauffage par le sol, il est important de limiter la température d'eau de départ maximum lors du fonctionnement de chauffage en fonction des spécifications de l'installation de chauffage du sol.
- Dans le cas d'un refroidissement par le sol, il est important de limiter la température d'eau de départ minimum lors du fonctionnement de refroidissement (réglage sur place du paramètre [9-03]) à 60,8~64,4°F (16~18°C) pour éviter la condensation au sol.
- [9-00] Limite supérieure du point de consigne de chauffage: température d'eau de départ maximale pour l'opération de chauffage.
- [9-01] Limite inférieure du point de consigne de chauffage: température d'eau de départ minimale pour l'opération de chauffage.
- [9-02] Limite supérieure du point de consigne de refroidissement: température d'eau de départ maximale pour l'opération de refroidissement.
- [9-03] Limite inférieure du point de consigne de refroidissement: température d'eau de départ minimale pour l'opération de refroidissement.
- [9-04] Réglage de dépassement: définit l'augmentation de la température d'eau au-dessus du point de consigne avant que le compresseur s'arrête. Cette fonction ne s'applique qu'en mode de chauffage.

[A] Mode discret

Ce réglage sur place permet de sélectionner le mode de discrétion souhaité. Deux modes de discrétion sont disponibles: le mode de discrétion A et le mode de discrétion B.

En mode de discrétion A, la priorité est donnée à un fonctionnement discret de l'unité extérieure en **toutes** circonstances. La vitesse du ventilateur et du compresseur (et donc les performances) sera limitée à un certain pourcentage de la vitesse en mode normal. Dans certains cas, cela peut entraîner une réduction des performances.

En mode discret B, le fonctionnement discret peut être annihilé lorsque des performances supérieures sont requises. Dans certains cas, cela peut entraîner un fonctionnement moins silencieux de l'unité extérieure pour satisfaire aux performances requises.

- [A-00] Type de mode discret: définit si le mode discret A (0) ou le mode discret B (2) est sélectionné.
- [A-01] Paramètre 01: ne pas changer ce réglage. Le laisser sur la valeur par défaut.

REMARQUE Ne pas régler d'autres valeurs que celles mentionnées.



[C] Configuration sur la carte d'E/S numérique EKRP1HB

Mode de priorité solaire

- [C-00] Réglage du mode de priorité solaire: pour plus d'informations concernant le kit solaire EKSOLHW, se reporter au manuel d'installation de ce kit.

Logique de sortie d'alarme

- [C-01] Logique de sortie d'alarme: définit la logique de la sortie d'alarme sur la carte PCB d'E/S numérique EKRP1HB. [C-01]=0, la sortie d'alarme sera alimentée lorsqu'une alarme se produit (par défaut). [C-01]=1, la sortie d'alarme ne sera pas alimentée lorsqu'une alarme se produit. Ce réglage sur place permet de distinguer entre la détection d'une alarme et la détection d'une panne de courant vers l'unité.

[C-01]	Alarme	Pas d'alarme	Pas d'alimentation électrique vers l'unité
0 (défaut)	Sortie fermée	Sortie ouverte	Sortie ouverte
1	Sortie ouverte	Sortie fermée	Sortie ouverte

Fonctionnement bivalent

S'applique uniquement aux installations avec une chaudière auxiliaire (fonctionnement alternant, connectée en parallèle). Le but de cette fonction est de déterminer – sur la base de la température extérieure – quelle source de chaleur peut/va assurer le chauffage de locaux, soit l'unité intérieure Daikin, soit la chaudière auxiliaire.

Le réglage sur place "fonctionnement bivalent" concerne uniquement le fonctionnement du chauffage de locaux par l'unité intérieure et le signal de permission pour la chaudière auxiliaire.

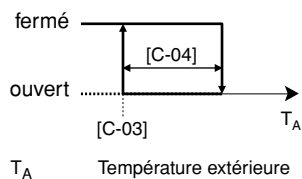
Lorsque la fonction "fonctionnement bivalent" est activée, l'unité intérieure arrêtera automatiquement le mode de chauffage de locaux lorsque la température extérieure descend sous la "température de mise en marche bivalente" et que le signal de permission pour la chaudière auxiliaire s'active.

Lorsque la fonction bivalente est désactivée, le chauffage de locaux par l'unité intérieure est possible à toutes les températures extérieures (voir plages de fonctionnement) et le signal de permission pour la chaudière auxiliaire est toujours désactivée.

- [C-02] Statut de fonctionnement bivalent: définit si le fonctionnement bivalent est activé (1) ou désactivé (0).
- [C-03] Température de mise en marche bivalente: définit la température extérieure en dessous de laquelle le signal de permission pour la chaudière auxiliaire sera actif (fermée, KCR sur EKRP1HB) et le chauffage de locaux par l'unité intérieure sera arrêté.

- [C-04] Hystérésis bivalente: définit la différence de température entre la température de marche bivalente et la température d'arrêt bivalente.

Signal de permission X1–X2 (EKRP1HB)



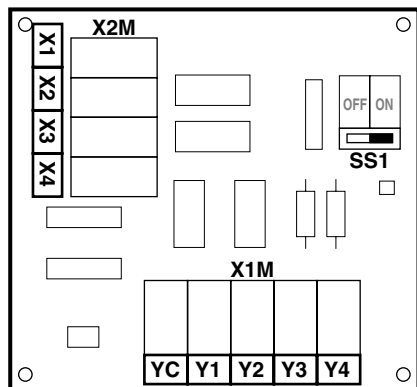
ATTENTION

Veiller à respecter toutes les règles mentionnées dans l'application 5 lorsque le fonctionnement bivalent est activé.

Daikin ne pourra être tenu responsable des dommages résultant du non-respect de cette consigne.



- Au cas où l'unité extérieure est une phase simple, la combinaison de réglage [4-03]=0/2 avec fonctionnement bivalent à faible température extérieure peut entraîner un manque d'eau chaude domestique.
- Le fonctionnement bivalent n'a pas d'impact sur le mode de chauffage d'eau domestique. L'eau chaude domestique est toujours chauffée par l'unité intérieure uniquement.
- Le signal de permission pour la chaudière auxiliaire est situé sur le EKRP1HB (carte PCB E/S numérique). Lorsqu'il est activé, le contact X1, X2 est fermé et ouvert lorsqu'il est désactivé. Voir la figure pour l'emplacement schématique de ce contact.



[D] Alimentation électrique à tarif réduit/Valeur de décalage local loi d'eau

Alimentation électrique à tarif réduit

- [D-00] Coupure des chauffages: Définit quels chauffages sont éteints lorsque le signal de tarif réduit de la compagnie d'électricité est reçu.

Si [D-01]=1 ou 2 et le signal de tarif réduit de la compagnie d'électricité est reçu, les dispositifs suivants seront arrêtés:

[D-00]	Compresseur	Chauffage d'appoint	Surchauffage
0 (défaut)	Arrêt forcé	Arrêt forcé	Arrêt forcé
1	Arrêt forcé	Arrêt forcé	Autorisée
2	Arrêt forcé	Autorisée	Arrêt forcé
3	Arrêt forcé	Autorisée	Autorisée



Les réglages [D-00] 1, 2 et 3 n'ont un sens que si l'alimentation électrique à tarif réduit est du type à non interruption de l'alimentation électrique.

- [D-01] Raccordement de l'unité à l'alimentation électrique à tarif réduit: Définit si oui ou non l'unité extérieure est reliée à l'alimentation électrique à tarif réduit.

Si [D-01]=0, l'unité est connectée à une alimentation électrique normale (valeur par défaut).

Si [D-01]=1 ou 2, l'unité est reliée à une alimentation électrique à tarif réduit. Dans ce cas, le câblage nécessite une installation spécifique comme expliqué dans "Raccordement à une alimentation électrique à tarif réduit" à la page 21.

Lorsque le paramètre [D-01]=1 au moment où le signal de tarif réduit est envoyé par la compagnie d'électricité, ce contact s'ouvrira et l'unité passera en mode d'arrêt forcé⁽¹⁾.

Si le paramètre [D-01]=2 au moment où le signal de tarif réduit est envoyé par la compagnie d'électricité, ce contact se fermera et l'unité passera en mode d'arrêt forcé⁽²⁾.

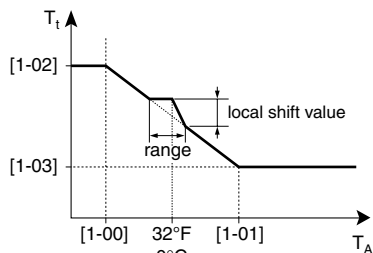
(1) Lorsque le signal est à nouveau libéré, le contact sans tension se fermera et l'unité recommencera à fonctionner. Il est dès lors important de laisser la fonction de redémarrage automatique activée. Se reporter à "[3] Redémarrage automatique" à la page 27.

(2) Lorsque le signal est à nouveau libéré, le contact sans tension s'ouvrira et l'unité recommencera à fonctionner. Il est dès lors important de laisser la fonction de redémarrage automatique activée. Se reporter à "[3] Redémarrage automatique" à la page 27.

Valeur de décalage local loi d'eau

Le réglage de la valeur de décalage local loi d'eau est seulement pertinent si la loi d'eau (voir réglage sur place "[1] Loi d'eau (mode de chauffage uniquement)" à la page 26) est sélectionnée.

- [D-03] Valeur de décalage local loi d'eau détermine la valeur de décalage de la loi d'eau autour d'une température extérieure de 32°F (0°C).



T_t Température d'eau cible

T_A Température extérieure

range Fourchette

local shift value Valeur de décalage local

[1-00], [1-01], [1-02], [1-03] Réglage sur place en vigueur de la loi d'eau [1]

[D-03]	Plage de température extérieure (T_A)	Valeur de décalage local
0	—	—
1	28,4°F~35,6°F -2°C~2°C	2
2	—	4
3	24,8°F~39,2°F -4°C~4°C	2
4	—	4

[E] Relevé d'information de l'unité

- [E-00] Relevé de la version du logiciel (exemple: 23)
- [E-01] Relevé de la version EEPROM (exemple: 23)
- [E-02] Relevé de l'identification du modèle de l'unité (exemple: 11)
- [E-03] Relevé de la température de réfrigérant liquide
- [E-04] Relevé de la température d'eau d'entrée

REMARQUE Les relevés [E-03] et [E-04] ne sont pas rafraîchis en permanence. Les relevés de température sont mis à jour après avoir parcouru à nouveau les premiers codes du réglage sur place uniquement.

[F] Configuration des options

Fonctionnement de la pompe

Le réglage sur place du fonctionnement de la pompe concerne la logique de fonctionnement de la pompe uniquement quand le microcommutateur SS2-3 est sur OFF.

Lorsque le fonctionnement de la pompe est désactivé, la pompe s'arrêtera si la température extérieure est supérieure à la valeur réglée par [4-02] ou si la température extérieure baisse en dessous de la valeur réglée par [F-01]. Lorsque le fonctionnement de la pompe est activé, le fonctionnement de la pompe est possible à toutes les températures extérieures. Se reporter à "Configuration du fonctionnement de la pompe" à la page 24.

- [F-00] Fonctionnement de la pompe: spécifie si le fonctionnement de la pompe est activé (1) ou désactivé (0).

Permission de refroidissement de locaux

- [F-01] Température de permission de refroidissement de locaux: définit la température extérieure en dessous de laquelle le refroidissement de locaux est arrêté.



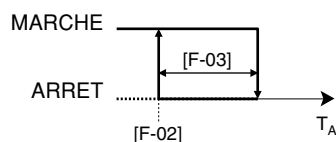
La fonction est uniquement valable pour EKHBX lorsque le refroidissement de locaux est sélectionné.

Contrôle du chauffage de fond de bac

S'applique uniquement à l'installation avec unité extérieure ERLQ ou au cas où l'option kit de chauffage de fond de bac est installée.

- [F-02] Température de mise en marche de chauffage de fond de bac: définit la température extérieure en dessous de laquelle le chauffage de fond de bac sera désactivé par l'unité intérieure afin d'empêcher une accumulation de givre dans le fond de bac de l'unité intérieure aux basses températures extérieures.
- [F-03] Hystérésis du chauffage de fond de bac: définit la différence de température entre la température de marche du chauffage de fond de bac et la température d'arrêt du chauffage de fond de bac.

Chauffage de fond de bac



T_A Température extérieure



ATTENTION

Le chauffage de fond de bac est contrôlé via X14A. S'assurer que [F-04] est bien réglé.

Fonctionnalité de X14A

- [F-04] Fonctionnalité de X14A: spécifie si la logique de X14A suit le signal de sortie pour le modèle de kit solaire (EKSOLHW) EKHBH/X_AA/AB (0) ou si la logique de X14A suit la sortie pour le chauffage de fond de bac (1).

REMARQUE



Indépendamment du réglage sur place [F-04], le contact X3-X4 (EKRP1HB) suit la logique du signal de sortie pour le modèle de kit solaire (EKSOLHW). Voir la figure pour l'emplacement schématique de ce contact.

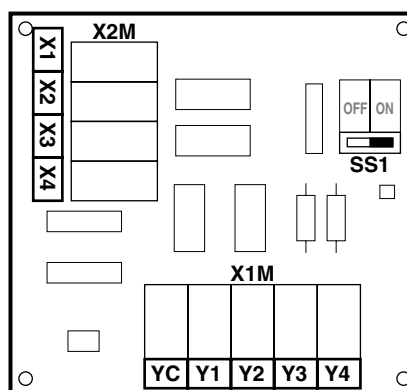


Tableau de réglage sur place



Les valeurs de température affichées sur la commande numérique (interface utilisateur) sont en °C.

Les valeurs de température en °C sont entre parenthèses. La conversion des °C en °F est donnée à titre d'information uniquement.

Premier code	Second code	Nom du réglage	Réglage de l'installateur par rapport à la valeur par défaut				Valeur par défaut	Plage	Etape	Unité
			Date	Valeur	Date	Valeur				
0		Niveau de permission utilisateur								
	00	Niveau de permission utilisateur					3	2/3	1	—
1		Loi d'eau								
	00	Faible température ambiante (Lo_A)					14 (-10)	-4~41 (-20~5)	1,8 (1)	°F (°C)
	01	Température ambiante élevée (Hi_A)					59 (15)	50~68 (10~20)	1,8 (1)	°F (°C)
	02	Point de consigne à faible température ambiante (Lo_TI)					104 (40)	77~131 (25~55)	1,8 (1)	°F (°C)
	03	Point de consigne à température ambiante élevée (Hi_TI)					77 (25)	77~131 (25~55)	1,8 (1)	°F (°C)
2		Fonction de désinfection								
	00	Intervalle de fonctionnement					Fri	Mon~Sun, Tous	—	—
	01	Statut					1 (ON)	0/1	—	—
	02	Heure de début					23:00	0:00~23:00	1:00	heure
	03	Point de consigne					158 (70)	104~176 (40~80)	9 (5)	°F (°C)
	04	Intervalle					10	5~60	5	min
3		Redémarrage automatique								
	00	Statut					0 (ON)	0/1	—	—
4		Fonctionnement du chauffage d'appoint/surchauffage et température d'arrêt du chauffage de locaux								
	00	Statut					1 (ON)	0/1	—	—
	01	Priorité					0 (OFF)	0/1/2	—	—
	02	Température d'arrêt du chauffage de locaux					95 (35)	57,2~95 (14~35)	1,8 (1)	°F (°C)
	03	Fonctionnement du surchauffage					3	0/1/2/3	—	—
	04	Ne s'applique pas					2	Lecture seule	—	—
5		Température d'équilibre et température de priorité de chauffage de locaux								
	00	Statut de température d'équilibre					1 (ON)	0/1	—	—
	01	Température d'équilibre					32 (0)	5~95 (-15~35)	1,8 (1)	°F (°C)
	02	Statut de priorité de chauffage de locaux					0 (OFF)	0/1	—	—
	03	Températures de priorité de chauffage de locaux					32 (0)	5~68 (-15~20)	1,8 (1)	°F (°C)
	04	Correction du point de consigne pour température d'eau chaude domestique					18 (10)	0~36 (0~20)	1,8 (1)	°F (°C)
6		DT pour mode de chauffage d'eau domestique de pompe à chaleur								
	00	Démarrage					9 (5)	3,6~36 (2~20)	1,8 (1)	°F (°C)
	01	Stop					3,6 (2)	0~18 (0~10)	1,8 (1)	°F (°C)
	02	Ne s'applique pas					0	Lecture seule	—	—

Premier code	Second code	Nom du réglage	Réglage de l'installateur par rapport à la valeur par défaut				Valeur par défaut	Plage	Etape	Unité
			Date	Valeur	Date	Valeur				
7		DT pour surchauffage et contrôle de point de consigne double								
	00	Durée de l'étape d'eau chaude domestique				0	0~7,2 (0~4)	1,8 (1)	°F (°C)	
	01	Valeur d'hystérésis de surchauffage				3,6 (2)	3,6~72 (2~40)	1,8 (1)	°F (°C)	
	02	Statut de contrôle de point de consigne double				0	0/1	—	—	
	03	Deuxième point de consigne de chauffage				18 (10)	1,8~43,2 / 77~131 (1~24 / 25~55)	1,8 (1)	°F (°C)	
	04	Deuxième point de consigne de refroidissement				44,6 (7)	41~71,6 (5~22)	1,8 (1)	°F (°C)	
8		Temporisateur du mode de chauffage d'eau domestique								
	00	Temps de service minimum				5	0~20	1	min	
	01	Temps de service maximum				30	5~60	5	min	
	02	Temps anti-recyclage				3	0~10	0,5	heure	
	03	Délai de surchauffage				50	20~95	5	min	
	04	Temps de service additionnel à [4-02]/[F-01]				95	0~95	5	min	
9		Plages de point de consigne de refroidissement et de chauffage								
	00	Limite supérieure du point de consigne de chauffage				131 (55)	98,6~131 (37~55)	1,8 (1)	°F (°C)	
	01	Limite inférieure du point de consigne de chauffage				77 (25)	59~98,6 (15~37)	1,8 (1)	°F (°C)	
	02	Limite supérieure du point de consigne de refroidissement				71,6 (22)	64,4~71,6 (18~22)	1,8 (1)	°F (°C)	
	03	Limite inférieure du point de consigne de refroidissement				41 (5)	41~64,4 (5~18)	1,8 (1)	°F (°C)	
	04	Réglage du dépassement ^(a)				1,8 (1)	1,8~7,2 (1~4)	1,8 (1)	°F (°C)	
A		Mode discret								
	00	Type de mode discret				0	0/2	—	—	
	01	Paramètre 01				3	—	—	—	
	02	Ne s'applique pas				1	Lecture seule	—	—	
	03	Ne s'applique pas				0	Lecture seule	—	—	
	04	Ne s'applique pas				0	Lecture seule	—	—	
b		Ne s'applique pas								
	00	Ne s'applique pas				0	Lecture seule	—	—	
	01	Ne s'applique pas				0	Lecture seule	—	—	
	02	Ne s'applique pas				0	Lecture seule	—	—	
	03	Ne s'applique pas				0	Lecture seule	—	—	
	04	Ne s'applique pas				0	Lecture seule	—	—	
C		Configuration sur la carte d'E/S numérique EKR1HB								
	00	Réglage du mode de priorité solaire				0	0/1	1	—	
	01	Logique de sortie d'alarme				0	0/1	—	—	
	02	Statut de fonctionnement bivalent				0	0/1	—	—	
	03	Température de MARCHÉ bivalente				32 (0)	-13~77 (-25~25)	1,8 (1)	°F (°C)	
	04	Hystérésis bivalente				5,4 (3)	3,6~18 (2~10)	1,8 (1)	°F (°C)	

Premier code	Second code	Nom du réglage	Réglage de l'installateur par rapport à la valeur par défaut				Valeur par défaut	Plage	Etape	Unité
			Date	Valeur	Date	Valeur				
D Alimentation électrique à tarif réduit/Valeur de décalage local loi d'eau										
	00	Extinction des chauffages					0	0/1/2/3	—	—
	01	Raccordement de l'unité à l'alimentation électrique à tarif réduit					0 (OFF)	0/1/2	—	—
	02	Ne s'applique pas. Ne pas changer la valeur par défaut.					0	—	—	—
	03	Valeur de décalage local loi d'eau					0	0/1/2/3/4	—	—
E Relevé des informations de l'unité										
	00	Version du logiciel					Lecture seule	—	—	—
	01	Version EEPROM					Lecture seule	—	—	—
	02	Identification du modèle de l'unité					Lecture seule	—	—	—
	03	Température de réfrigérant liquide					Lecture seule	—	—	°F (°C)
	04	Température de l'eau d'entrée					Lecture seule	—	—	°F (°C)
F Configuration des options										
	00	Fonctionnement de la pompe					0	0/1	—	—
	01	Température de permission de refroidissement de locaux					68 (20)	50~95 (10~35)	1,8 (1)	°F (°C)
	02	Température de marche de chauffage de fond de bac					37,4 (3)	37,4~50 (3~10)	1,8 (1)	°F (°C)
	03	Hystérésis de chauffage de fond de bac					9 (5)	3,6~9 (2~5)	1,8 (1)	°F (°C)
	04	Fonctionnalité de X14A					1	0/1	—	—

(a) Uniquement possible de modifier les 3 premières minutes après la mise sous tension.

TEST ET VÉRIFICATION FINALE


L'installateur est obligé de vérifier le fonctionnement correct de l'unité intérieure et extérieure après l'installation.

Vérification finale



Avant de mettre l'unité en marche, prière de lire les recommandations suivantes:

- Lorsque l'installation complète et tous les réglages nécessaires ont été exécutés, fermer tous les panneaux frontaux de l'unité et remettre le couvercle de l'unité intérieure.
- Seul un électricien qualifié peut ouvrir le panneau de service du boîtier de commande afin d'effectuer des opérations de maintenance.

Essai de fonctionnement automatique

Lorsque l'unité est mise en marche pour la première fois (en appuyant sur la touche ) , le système effectuera automatiquement un essai de fonctionnement en mode de refroidissement. L'essai de fonctionnement prendra jusqu'à 3 minutes, pendant lesquels aucune indication spécifique n'apparaît sur l'interface utilisateur.

Pendant l'essai de fonctionnement automatique, il est important de veiller à ce que la température d'eau ne baisse pas sous 50°F (10°C), ce qui pourrait activer la protection antigel et par conséquent provoquer l'interruption de l'essai de fonctionnement.

Si la température d'eau baisse sous 50°F (10°C), appuyer sur la touche  de sorte que l'icône  s'affiche. Cela activera le chauffage d'appoint pendant l'essai de fonctionnement automatique et augmentera la température d'eau en suffisance.

Si l'essai de fonctionnement automatique s'est terminé avec succès, le système reprendra son fonctionnement normal automatiquement.

S'il y a des mauvaises connexions ou des dysfonctionnements, un code d'erreur s'affichera sur l'interface utilisateur. Pour résoudre les codes d'erreur, voir "Codes d'erreur" à la page 42.

REMARQUE








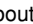
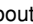



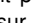
Lorsque l'unité extérieure est mise en mode de fonctionnement de pompage (voir le manuel d'installation de l'unité extérieure), le drapeau d'essai de fonctionnement automatique disparaîtra. La prochaine fois que le système est mis en marche, l'essai de fonctionnement automatique sera à nouveau exécuté.

Après avoir terminé le cycle de test automatique ou la mise sous/hors tension, le compresseur fonctionnera dans le mode de fonctionnement sélectionné et continuera pendant un certain temps (le point de consigne sur la commande à distance est écrasé pendant cette opération).



Test de fonctionnement (manuel)

Si nécessaire, l'installateur peut effectuer un essai de fonctionnement manuel à tout moment pour vérifier le bon fonctionnement du refroidissement, du chauffage et du chauffage de l'eau domestique.

Procédure

- 1 Appuyer sur le bouton  4 fois de sorte que l'icône TEST s'affiche.
- 2 En fonction du modèle de l'unité intérieure, l'opération de chauffage et l'opération de refroidissement ou les deux doivent être testées comme suit (lorsqu'aucune action n'est effectuée, l'interface utilisateur reviendra au mode normal après 10 secondes ou en appuyant une fois sur le bouton ):
 - Pour tester le fonctionnement de chauffage, appuyer sur le bouton  de manière à afficher l'icône . Pour démarrer le test de fonctionnement, appuyer sur le bouton .
 - Pour tester le fonctionnement de refroidissement, appuyer sur le bouton  de manière à afficher l'icône . Pour démarrer le test de fonctionnement, appuyer sur le bouton .
 - Pour tester le fonctionnement du chauffage d'eau domestique, pousser le bouton . Le test de fonctionnement démarrera sans appuyer sur le bouton .
- 3 L'opération de test de fonctionnement s'arrêtera automatiquement après 30 minutes ou lorsque la température réglée est atteinte. Le test de fonctionnement peut être arrêté manuellement en appuyant une seule fois sur le bouton . S'il y a des mauvaises connexions ou des dysfonctionnements, un code d'erreur s'affichera sur l'interface utilisateur. Sinon, l'interface utilisateur reviendra au mode de fonctionnement normal.
- 4 Pour résoudre les codes d'erreur, voir "Codes d'erreur" à la page 42.



Pour afficher le dernier code d'erreur résolu, appuyer 1 fois sur le bouton . Appuyer de nouveau 4 fois sur le bouton  pour revenir au mode normal.

REMARQUE



Il n'est pas possible d'effectuer un test si un fonctionnement forcé de l'unité extérieure est en cours. Si le fonctionnement forcé devait démarrer pendant un test de fonctionnement, le test sera annulé.

MAINTENANCE ET ENTRETIEN

Afin de garantir une disponibilité maximale de l'unité, un certain nombre de contrôles et de vérifications doivent être effectués à intervalles réguliers sur l'unité et au niveau du câblage local.

Cette maintenance doit être effectuée par un personnel qualifié.

Pour effectuer les opérations de maintenance comme mentionné ci-dessous, il suffit de retirer le couvercle de l'unité intérieure. Voir "Ouverture de l'unité intérieure" à la page 9.

Opérations de maintenance



DANGER: CHOC ELECTRIQUE



- Avant d'exécuter une opération de maintenance ou une réparation, il faut mettre le disjoncteur à l'arrêt sur le panneau d'alimentation, retirer les fusibles (ou désactiver le disjoncteur), puis ouvrir les dispositifs de protection de l'unité.
- S'assurer que l'alimentation électrique de l'unité extérieure est coupée avant d'entamer toute activité de maintenance ou de réparation.
- Ne pas toucher les parties sous tension pendant 10 minutes une fois que l'alimentation électrique est coupée en raison du risque de haute tension.
- Le chauffage du compresseur peut fonctionner même en mode d'arrêt.
- A noter que certaines parties de la boîte de composants électriques sont chaudes.
- Veiller à ne pas toucher de partie conductrice.
- Ne pas rincer l'unité intérieure. Cela pourrait provoquer un choc électrique ou un incendie.
- Lorsque les panneaux d'entretien sont retirés, des pièces nues peuvent facilement être touchées par accident.
Ne jamais laisser l'unité sans surveillance pendant l'installation ou l'entretien quand le panneau d'entretien est retiré.



Pensez à votre sécurité!

Toucher une partie en métal de la main (comme la vanne d'arrêt) afin d'éliminer l'électricité statique et de protéger la carte de circuits imprimés avant d'effectuer l'entretien.



DANGER

Ne pas toucher les tuyaux d'eau pendant et immédiatement après une utilisation car ces tuyaux peuvent être chauds. Il y a un risque de brûlures aux mains. Pour éviter des blessures, laisser le temps aux tuyaux de revenir à une température normale ou veiller à porter des gants adéquats.



AVERTISSEMENT

- Ne pas toucher les tuyaux de réfrigérant pendant et immédiatement après une utilisation car les tuyaux de réfrigérant peuvent être chauds ou froids en fonction de l'état du réfrigérant traversant la tuyauterie, le compresseur et d'autres parties du circuit du réfrigérant. Il est possible de se brûler ou de se gercer les mains en cas de contact avec les tuyaux de réfrigérant. Pour éviter des blessures, laisser le temps aux tuyaux de revenir à une température normale ou, s'il est indispensable de les toucher, veiller à porter des gants adéquats.
- Ne pas toucher les parties internes (pompe, chauffage d'appoint, etc.) pendant et juste après leur fonctionnement.

Il est possible de se brûler les mains en cas de contact avec les parties internes. Pour éviter des blessures, laisser le temps aux pièces internes de revenir à une température normale ou, s'il est indispensable de les toucher, veiller à porter des gants adéquats.

Les vérifications décrites doivent être exécutées au moins **une fois par an**.

- 1 Pression d'eau
Vérifier si la pression d'eau est supérieure à 14,5 psi (1 bar). Si nécessaire, ajouter de l'eau.
- 2 Filtre à eau
Nettoyer le filtre à eau.
- 3 Soupape de décharge de pression d'eau
Vérifier le bon fonctionnement de la soupape de décharge de pression en tournant le bouton rouge de la soupape dans le sens anti-horaire:
 - Si aucun claquement n'est audible, contacter un revendeur local.
 - Au cas où l'eau ne cesse de s'écouler de l'unité, fermer les vannes d'arrêt d'entrée et de sortie d'eau pour commencer, puis contacter le revendeur local.
- 4 Flexible de la soupape de décharge de pression
Vérifier que le flexible de la soupape de décharge de pression est positionné de manière appropriée pour vidanger l'eau. Si le kit de bac de purge (en option) est installé, s'assurer que l'extrémité du flexible de la soupape de décharge de pression est positionnée dans le bac de purge.
- 5 Couvercle d'isolation de la cuve du chauffage d'appoint
Vérifier que le couvercle d'isolation du chauffage d'appoint est bien serré autour de la cuve du chauffage d'appoint.
- 6 Soupape de décharge de pression de ballon d'eau chaude domestique (non fournie)
S'applique uniquement aux installations avec un ballon d'eau chaude domestique.
Vérifier le bon fonctionnement de la soupape de décharge de pression sur le ballon d'eau chaude domestique.
- 7 Surchauffage de ballon d'eau chaude domestique
S'applique uniquement aux installations avec un ballon d'eau chaude domestique.
Il est conseillé d'enlever l'accumulation de calcaire sur le surchauffage pour étendre sa durée de vie, notamment dans les régions caractérisées par de l'eau dure. Pour ce faire, vidanger le ballon d'eau chaude domestique, retirer le surchauffage du ballon d'eau chaude domestique et l'immerger dans un seau (ou un objet similaire) avec du produit anti-calcaire pendant 24 heures.

8 Coffret électrique de l'unité intérieure

- Effectuer une inspection visuelle complète du coffret électrique et rechercher des défauts évidents tels que des connexions détachées ou des câbles défectueux.
- Vérifier le bon fonctionnement des contacteurs K1M, K2M, K3M, K5M (applications avec ballon d'eau chaude domestique uniquement) et K4M à l'aide d'un ohmmètre. Tous les contacts de ces contacteurs doivent être en position ouverte.

DÉPANNAGE

Ce chapitre apporte des informations utiles pour l'établissement d'un diagnostic et la correction de certaines pannes susceptibles de se produire.

Cette recherche des pannes et les actions correctrices correspondantes ne peuvent être effectuées que par un technicien qualifié.

Directives générales

Avant de commencer la procédure de dépannage, inspecter minutieusement l'unité à la recherche de défauts apparents, tels que des connexions desserrées ou des câblages défectueux.



DANGER

Lors d'une inspection du coffret électrique de l'appareil, s'assurer que l'interrupteur principal de l'unité est sur arrêt.

Lorsqu'un dispositif de sécurité a été activé, arrêter l'unité et rechercher la cause du déclenchement du dispositif de sécurité avant de le réinitialiser. Les dispositifs de sécurité ne doivent être pontés ou réglés en aucun cas sur une valeur autre que le réglage usine. Si la cause du problème est indétectable, contacter le revendeur le plus proche.

Si la soupape de décharge de pression ne fonctionne pas correctement et doit être remplacée, toujours rebrancher le flexible fixé à la soupape de décharge de pression pour éviter que l'eau ne s'écoule de l'unité!

REMARQUE



Pour des problèmes relatifs au kit solaire en option pour chauffage d'eau domestique, se reporter au guide de dépannage dans le manuel d'installation de ce kit.



DANGER

Ne pas toucher les tuyaux d'eau pendant et immédiatement après une utilisation car ces tuyaux peuvent être chauds. Il y a un risque de brûlures aux mains. Pour éviter des blessures, laisser le temps aux tuyaux de revenir à une température normale ou veiller à porter des gants adéquats.



AVERTISSEMENT

- Ne pas toucher les tuyaux de réfrigérant pendant et immédiatement après une utilisation car les tuyaux de réfrigérant peuvent être chauds ou froids en fonction de l'état du réfrigérant traversant la tuyauterie, le compresseur et d'autres parties du circuit du réfrigérant. Il est possible de se brûler ou de se gêner les mains en cas de contact avec les tuyaux de réfrigérant. Pour éviter des blessures, laisser le temps aux tuyaux de revenir à une température normale ou, s'il est indispensable de les toucher, veiller à porter des gants adéquats.

- Ne pas toucher les parties internes (pompe, chauffage d'appoint, etc.) pendant et juste après leur fonctionnement.

Il est possible de se brûler les mains en cas de contact avec les parties internes. Pour éviter des blessures, laisser le temps aux pièces internes de revenir à une température normale ou, s'il est indispensable de les toucher, veiller à porter des gants adéquats.

Symptômes généraux

Symptôme 1: L'unité est activée (DEL allumée), mais l'unité ne chauffe ou ne refroidit pas comme prévu

CAUSES POSSIBLES	MESURE CORRECTIVE
Le réglage de la température est incorrect.	Vérifier le point de consigne de la commande.
Le débit d'eau est trop faible.	<ul style="list-style-type: none">• Vérifier que toutes les vannes d'arrêt du circuit d'eau sont complètement ouvertes.• Vérifier si le filtre à eau doit être nettoyé.• S'assurer qu'il n'y a pas d'air dans le système (purger l'air).• Vérifier sur le manomètre qu'il y a une pression d'eau suffisante. La pression d'eau doit être de >14,5 psi (>1 bar) (l'eau est froide).• Vérifier que le réglage de la vitesse de pompe est sur la vitesse maximale.• S'assurer que le vase d'expansion n'est pas cassé.• Vérifier que la résistance dans le circuit d'eau n'est pas trop élevée pour la pompe (se reporter à "Réglage de la vitesse de pompe" à la page 25).
Le volume d'eau dans l'installation est trop bas.	S'assurer que le volume d'eau dans l'installation est supérieure à la valeur requise minimale (se reporter à "Vérification du volume d'eau et de la pré-pression du vase d'expansion" à la page 15).

Symptôme 2: L'unité est sous tension, mais le compresseur ne démarre pas (chauffage de locaux ou chauffage d'eau domestique)

CAUSES POSSIBLES	MESURE CORRECTIVE
L'unité doit démarrer en dehors de sa plage de fonctionnement (la température d'eau est trop basse).	<p>Dans le cas d'une température d'eau basse, le système utilise le chauffage d'appoint pour atteindre d'abord la température d'eau minimum (59°F)(15°C).</p> <ul style="list-style-type: none">• Vérifier que l'alimentation du chauffage d'appoint est correcte.• Vérifier que le fusible thermique du chauffage d'appoint est fermé.• Vérifier que la protection thermique du chauffage d'appoint n'est pas activée.• Vérifier que les contacteurs du chauffage d'appoint ne sont pas cassés.
Les réglages de l'alimentation électrique à tarif réduit et les connexions électriques ne correspondent pas.	Si [D-01]=1 ou 2, le câblage requiert une installation spécifique comme illustré dans "Raccordement à une alimentation électrique à tarif réduit" à la page 21. D'autres configurations installées correctement sont possibles, mais doivent être spécifiques au type d'alimentation électrique à tarif réduit pour le site en question.
Le signal tarif réduit a été envoyé par la compagnie d'électricité.	Attendre que le courant revienne.

Symptôme 3: La pompe fait du bruit (cavitation)

CAUSES POSSIBLES	MESURE CORRECTIVE
Il y a de l'air dans le système.	Purger l'air.
La pression d'eau à l'entrée de la pompe est trop faible.	<ul style="list-style-type: none">• Vérifier sur le manomètre qu'il y a une pression d'eau suffisante. La pression d'eau doit être de >14,5 psi (>1 bar) (l'eau est froide).• Vérifier que le manomètre n'est pas cassé.• Vérifier que le vase d'expansion n'est pas cassé.• Vérifier que le réglage de la pré-pression du vase d'expansion est correct (se reporter à "Réglage de la pré-pression du vase d'expansion" à la page 16).

Symptôme 4: La soupape de décharge de pression d'eau s'ouvre

CAUSES POSSIBLES	MESURE CORRECTIVE
Le vase d'expansion est cassé.	Remplacer le vase d'expansion.
Le volume d'eau dans l'installation est trop élevé.	S'assurer que le volume d'eau dans l'installation est inférieur à la valeur maximale admise (se reporter à "Vérification du volume d'eau et de la pré-pression du vase d'expansion" à la page 15).

Symptôme 5: La soupape de décharge de pression d'eau présente une fuite

CAUSES POSSIBLES	MESURE CORRECTIVE
De la saleté bloque la sortie de la soupape de décharge de pression.	Vérifier le bon fonctionnement de la soupape de décharge de pression en tournant le bouton rouge de la soupape dans le sens anti-horaire: <ul style="list-style-type: none"> • Si aucun claquement n'est audible, contacter un revendeur local. • Au cas où l'eau ne cesse de s'écouler de l'unité, fermer les vannes d'arrêt d'entrée et de sortie d'eau pour commencer, puis contacter le revendeur local.

Symptôme 6: L'interface utilisateur affiche "NOT AVAILABLE" lorsque l'on appuie sur certaines touches

CAUSES POSSIBLES	MESURE CORRECTIVE
Le niveau de permission actuel est réglé à un niveau qui empêche l'utilisation du bouton enfoncé.	Changer le réglage sur place "niveau de permission utilisateur" ([0-00], voir "Réglages sur place" à la page 26).

Symptôme 7: Manque de capacité de chauffage de locaux aux basse températures extérieures



CAUSES POSSIBLES	MESURE CORRECTIVE
Le fonctionnement du chauffage d'appoint n'est pas activé.	Vérifier que le réglage sur place "statut de fonctionnement du chauffage d'appoint" [4-00] est activé, voir "Réglages sur place" à la page 26. Vérifier si la protection thermique du chauffage d'appoint a été activée ou non (se reporter à Principaux composants, "Protection thermique du chauffage d'appoint" à la page 11 pour connaître l'emplacement du bouton de réinitialisation). Vérifier si le surchauffage et le chauffage d'appoint sont configuré pour fonctionner simultanément (réglage sur place [4-01], voir "Réglages sur place" à la page 26) Vérifier si le fusible thermique du chauffage d'appoint a sauté (se reporter à "Principaux composants", "Fusible thermique du chauffage d'appoint" à la page 11 pour connaître l'emplacement du bouton de réinitialisation).
La température d'équilibre du chauffage d'appoint n'a pas été configurée correctement.	Augmenter le réglage sur place 'température d'équilibre' [5-01] pour activer le fonctionnement du chauffage d'appoint à une température extérieure supérieure.
Trop de capacité de la pompe à chaleur est utilisée pour chauffer l'eau chaude domestique (s'applique uniquement aux installations avec ballon d'eau chaude domestique).	Vérifier que les réglages sur place 'température de priorité de chauffage de locaux' sont configurés de manière adéquate: <ul style="list-style-type: none"> • S'assurer que le réglage sur place 'statut de priorité de chauffage de locaux' [5-02] est activé. • Augmenter le réglage sur place 'température de priorité de chauffage de locaux' [5-03] pour activer le fonctionnement du surchauffage à une température extérieure supérieure.

Codes d'erreur

Lorsqu'un dispositif de sécurité est activé, la DEL de l'interface utilisateur clignotera et un code d'erreur s'affichera.

Une liste de toutes les erreurs et mesures correctives est reprise dans le tableau ci-dessous.

Réinitialiser la sécurité en mettant l'unité sur ARRÊT, puis sur MARCHÉ.

Instruction pour mettre l'unité sur ARRÊT			
Mode d'interface utilisateur (chauffage/refroidissement ☀/❄)	Mode de chauffage d'eau domestique (🔥)	Appuyer sur le bouton 	Appuyer sur le bouton 
MARCHÉ	MARCHÉ	1 fois	1 fois
MARCHÉ	ARRÊT	1 fois	—
ARRÊT	MARCHÉ	—	1 fois
ARRÊT	ARRÊT	—	—

Au cas où la procédure de réglage de la sécurité ne réussit pas, contacter votre représentant local.

Code d'erreur	Cause de l'anomalie	Mesure corrective
80	Problème de thermistance de température d'eau d'entrée (thermistance d'eau d'entrée cassée)	Prendre contact avec le revendeur le plus proche.
81	Problème de thermistance de température d'eau de sortie (sonde de température d'eau de sortie cassée)	Prendre contact avec le revendeur le plus proche.
83	Problème de gel de l'échangeur de chaleur d'eau (en raison du débit d'eau trop faible)	Se reporter au code d'erreur 7H.
	Problème de gel de l'échangeur de chaleur d'eau (en raison d'un manque de réfrigérant)	Prendre contact avec le revendeur le plus proche.
7H	Problème de débit (débit d'eau trop bas ou pas de débit du tout, le débit d'eau minimum requis est de 4,23 gallons/min (16 l/min))	<ul style="list-style-type: none"> • Vérifier que toutes les vannes d'arrêt du circuit d'eau sont complètement ouvertes. • Vérifier si le filtre à eau doit être nettoyé. • Vérifier que l'unité fonctionne dans sa plage de fonctionnement (se reporter à "Spécifications techniques" à la page 44). • Se référer également à "Remplissage d'eau" à la page 17. • S'assurer qu'il n'y a pas d'air dans le système (purger l'air). • Vérifier sur le manomètre qu'il y a une pression d'eau suffisante. La pression d'eau doit être de >14,5 psi (>1 bar) (l'eau est froide) • Vérifier que le réglage de la vitesse de pompe est sur la vitesse maximale. • S'assurer que le vase d'expansion n'est pas cassé. • Vérifier que la résistance dans le circuit d'eau n'est pas trop élevée pour la pompe (se reporter à "Réglage de la vitesse de pompe" à la page 25). • Si cette erreur se produit lors du dégivrage (pendant le chauffage de locaux ou le chauffage d'eau domestique), s'assurer que l'alimentation électrique du chauffage d'appoint est raccordée correctement et que les fusibles ne sont pas grillés (ou que le disjoncteur n'est pas désactivé). • Vérifier que le fusible de pompe (FU2) n'est pas grillé.
8H	Température d'eau de sortie de l'unité intérieure trop haute (>149°F)(>65°C)	<ul style="list-style-type: none"> • Vérifier que le contacteur du chauffage d'appoint électrique n'est pas court-circuité. • Vérifier que la thermistance d'eau de sortie donne le relevé correct.

Code d'erreur	Cause de l'anomalie	Mesure corrective
R1	Carte de circuits imprimés de l'unité intérieure défectueuse	Prendre contact avec le revendeur le plus proche.
R5	Température de réfrigérant trop basse (pendant le fonctionnement en refroidissement) ou trop haute (pendant le fonctionnement en chauffage) (mesurée par R3T)	Prendre contact avec le revendeur le plus proche.
RR	Protection thermique du chauffage d'appoint ouverte	Réinitialiser la protection thermique en appuyant sur le bouton de réinitialisation (se reporter à "Principaux composants" à la page 10 pour connaître l'emplacement du bouton de réinitialisation)
	Vérifier le bouton de réinitialisation de la protection thermique. Si la protection thermique et le contrôleur sont réinitialisés, mais que le code d'erreur RR persiste, c'est que le fusible thermique du chauffage d'appoint a sauté.	Prendre contact avec le revendeur le plus proche.
CR	Protection thermique du surchauffage ouverte (s'applique uniquement aux installations avec ballon d'eau chaude domestique)	Réinitialiser la protection thermique
CO	Problème de contacteur de débit (le contacteur de débit reste fermé pendant que la pompe est à l'arrêt)	Vérifier que le contacteur de débit n'est pas obstrué par de la saleté.
C4	Problème de thermistance d'échangeur de chaleur (sonde de température d'échangeur de chaleur cassée)	Prendre contact avec le revendeur le plus proche.
E1	Carte de circuits imprimés de l'unité extérieure défectueuse	Prendre contact avec le revendeur le plus proche.
E3	Pression anormalement élevée	Vérifier que l'unité fonctionne dans sa plage de fonctionnement (se reporter à "Spécifications techniques" à la page 44). Prendre contact avec le revendeur le plus proche.
E4	Actionnement du capteur basse pression	Vérifier que l'unité fonctionne dans sa plage de fonctionnement (se reporter à "Spécifications techniques" à la page 44). Prendre contact avec le revendeur le plus proche.
E5	Activation de surcharge du compresseur	Vérifier que l'unité fonctionne dans sa plage de fonctionnement (se reporter à "Spécifications techniques" à la page 44). Prendre contact avec le revendeur le plus proche.
E7	Problème de blocage de ventilateur (le ventilateur est bloqué)	Vérifier si le ventilateur n'est pas obstrué par de la saleté. Si le ventilateur n'est pas obstrué, prendre contact avec le revendeur le plus proche.
E9	Dysfonctionnement de la soupape de détente électronique	Prendre contact avec le revendeur le plus proche.
EC	Température d'eau chaude domestique trop élevée (>192,2°F)(>89°C)	<ul style="list-style-type: none"> Vérifier que le contacteur du surchauffage électrique n'est pas court-circuité. Vérifier que la thermistance d'eau chaude domestique donne le relevé correct.
F3	Température de décharge trop élevée (par ex. en raison d'un colmatage du serpentin extérieur)	Nettoyer le serpentin extérieur. Si le serpentin est propre, contacter le revendeur le plus proche.
H3	Dysfonctionnement du système HPS	Prendre contact avec le revendeur le plus proche.
H9	Problème de thermistance de température extérieure (la thermistance extérieure est cassée)	Prendre contact avec le revendeur le plus proche.

Code d'erreur	Cause de l'anomalie	Mesure corrective
HC	Défaillance de la thermistance du ballon d'eau chaude domestique	Prendre contact avec le revendeur le plus proche.
J1	Dysfonctionnement de la sonde de pression	Prendre contact avec le revendeur le plus proche.
J3	Problème de thermistance du tuyau de décharge	Prendre contact avec le revendeur le plus proche.
J5	Problème de thermistance de l'unité extérieure de tuyau d'aspiration	Prendre contact avec le revendeur le plus proche.
J6	Problème de détection du givre de la thermistance Aircoil	Prendre contact avec le revendeur le plus proche.
J7	Problème de température moyenne de la thermistance Aircoil	Prendre contact avec le revendeur le plus proche.
J8	Problème de thermistance de l'unité extérieure de tuyau de liquide	Prendre contact avec le revendeur le plus proche.
L4	Problème de composant électrique	Prendre contact avec le revendeur le plus proche.
L5	Problème de composant électrique	Prendre contact avec le revendeur le plus proche.
L8	Problème de composant électrique	Prendre contact avec le revendeur le plus proche.
L9	Problème de composant électrique	Prendre contact avec le revendeur le plus proche.
LC	Problème de composant électrique	Prendre contact avec le revendeur le plus proche.
P1	Problème de carte de circuits imprimés	Prendre contact avec le revendeur le plus proche.
P4	Problème de composant électrique	Prendre contact avec le revendeur le plus proche.
PJ	Problème de réglage de capacité	Prendre contact avec le revendeur le plus proche.
U0	Problème de réfrigérant (en raison d'une fuite de réfrigérant)	Prendre contact avec le revendeur le plus proche.
U2	Problème de tension du circuit principal	Prendre contact avec le revendeur le plus proche.
U4	Panne de communication	Prendre contact avec le revendeur le plus proche.
U5	Panne de communication	Prendre contact avec le revendeur le plus proche.
U7	Panne de communication	Prendre contact avec le revendeur le plus proche.
UR	Panne de communication	Prendre contact avec le revendeur le plus proche.

SPÉCIFICATIONS TECHNIQUES

Généralités

		Modèles à chauffage/refroidissement (EKHBX)	Modèles à chauffage uniquement (EKHBH)
Capacité nominale			
• refroidissement		Se reporter aux Données techniques	
• chauffage		Se reporter aux Données techniques	
Dimensions H x L x P	(mm)	922 x 502 x 361	922 x 502 x 361
	(pouces)	36,3 x 19,8 x 14,2	36,3 x 19,8 x 14,2
Poids			
• poids de la machine	(kg)	55	55
	(lbs)	123	123
• poids en ordre de marche	(kg)	69	69
	(lbs)	152	152
Connexions			
• entrée/sortie d'eau		1-1/4" MBSP ^(a)	1-1/4" MBSP ^(a)
• purge d'eau		nipple de tuyau	nipple de tuyau
• côté liquide réfrigérant		Ø3/8 pouce (Ø9,5 mm)	Ø3/8 pouce (Ø9,5 mm)
• côté gaz réfrigérant		Ø5/8 pouce (Ø15,9 mm)	Ø5/8 pouce (Ø15,9 mm)
Vase d'expansion			
• volume	(l)	10	10
	(gallons)	2,6	2,6
• pression de service maximale (MWP)	(bar)	3	3
	(psi)	43,5	43,5
Pompe			
• type		refroidie par eau	refroidie par eau
• nbre de vitesses		3	3
Niveau de pression sonore		Se reporter aux caractéristiques techniques	Se reporter aux caractéristiques techniques
Volume d'eau interne	(l)	5,5	5,5
	(gallons)	1,45	1,45
Vanne de surpression du circuit d'eau	(bar)	3	3
	(psi)	43,5	43,5
Plage de fonctionnement – côté eau			
• chauffage	(°F)	+59~+131	+59~+131
	(°C)	+15~+55	+15~+55
• refroidissement	(°F)	+41~+71,6	—
	(°C)	+5~+22	—
Plage de fonctionnement – côté air			
• chauffage	(°F)	-4~+95	-4~+95
	(°C)	-20~+35	-20~+35
• refroidissement	(°F)	+50~+114,8	—
	(°C)	+10~+46	—
• eau chaude domestique par la pompe à eau	(°F)	-4~+95	-4~+95
	(°C)	-20~+35	-20~+35

(a) MBSP = Male British Standard Pipe (Conduite mâle norme anglaise)

Spécifications électriques

		Modèles à chauffage/refroidissement (EKHBX)	Modèles à chauffage uniquement (EKHBH)
Unité standard (alimentation électrique via l'unité extérieure)			
• alimentation		230 V 50 Hz 1P	
Chauffage d'appoint			
• alimentation		Voir "Connexion de l'alimentation électrique du chauffage d'appoint" à la page 19	
• courant de service maximal		Voir "Connexion de l'alimentation électrique du chauffage d'appoint" à la page 19	

CONTENIDOS

Página

Introducción.....	1
Información general.....	1
Ámbito de aplicación de este manual.....	2
Identificación de modelo.....	2
Accesorios.....	2
Accesorios suministrados con la unidad interior.....	2
Advertencias de seguridad.....	3
Ejemplos de aplicación típica.....	4
Aplicación 1.....	4
Aplicación 2.....	4
Aplicación 3.....	5
Aplicación 4.....	6
Aplicación 5.....	7
Aplicación 6.....	9
Descripción general de la unidad interior.....	10
Cómo abrir la unidad interior.....	10
Componentes principales.....	11
Componentes principales de la caja de conexiones.....	12
Diagrama de funcionamiento.....	13
Cómo instalar la unidad interior.....	13
Selección del lugar de instalación.....	13
Dimensiones y espacio para mantenimiento.....	13
Inspección, manipulación y desembalaje de la unidad.....	14
Montaje de la unidad interior.....	14
Instalación de la bandeja de drenaje EKHBDP (sólo para modelos EKHBX).....	15
Tubería de refrigerante.....	15
Tubería de agua.....	15
Carga de agua.....	17
Aislamiento de tuberías.....	17
Cableado de obra.....	18
Arranque y configuración.....	23
Descripción general de los ajustes del interruptor DIP.....	23
Configuración de la instalación del termostato de la habitación.....	24
Configuración de funcionamiento de la bomba.....	24
Configuración de la instalación del depósito de agua caliente sanitaria.....	25
Arranque inicial a bajas temperaturas ambiente exteriores.....	25
Comprobaciones previas al funcionamiento.....	25
Encendido de la unidad interior.....	25
Ajuste de la velocidad de la bomba.....	26
Configuración personalizada.....	26
Tabla de configuración personalizada.....	37
Prueba de funcionamiento e inspección final.....	40
Comprobación final.....	40
Prueba de funcionamiento automática.....	40
Prueba de funcionamiento (manual).....	40
Mantenimiento y servicio técnico.....	41
Solución de problemas.....	42
Instrucciones generales.....	42
Síntomas generales.....	42
Códigos de error.....	43
Especificaciones técnicas.....	45
Generalidades.....	45
Especificaciones eléctricas.....	45



LEA ESTAS INSTRUCCIONES ATENTAMENTE ANTES DE LA INSTALACIÓN. MANTENGA ESTE MANUAL A MANO PARA FUTURAS CONSULTAS.

LA INSTALACIÓN O COLOCACIÓN INADECUADA DEL EQUIPO O ACCESORIOS PODRÍA CAUSAR ELECTROCUCIÓN, CORTOCIRCUITO, FUGAS, INCENDIO U OTROS DAÑOS AL EQUIPO. ASEGÚRESE DE UTILIZAR SOLAMENTE ACCESORIOS FABRICADOS POR DAIKIN QUE FUERON DISEÑADOS ESPECÍFICAMENTE PARA USO CON ESTE EQUIPO Y HAGA QUE LOS INSTALE UN PROFESIONAL.

TODAS LAS ACTIVIDADES DESCRITAS EN ESTE MANUAL DEBERÁN SER REALIZADAS POR UN TÉCNICO AUTORIZADO.

ASEGÚRESE DE UTILIZAR UN EQUIPO DE PROTECCIÓN PERSONAL ADECUADO (GUANTES PROTECTORES, GAFAS DE SEGURIDAD,...) CUANDO REALICE LA INSTALACIÓN, MANTENIMIENTO O PUESTA EN MARCHA DE LA UNIDAD.

EN CASO DE DUDA SOBRE LOS PROCEDIMIENTOS DE INSTALACIÓN O USO DEL EQUIPO, SOLICITE SIEMPRE CONSEJO E INFORMACIÓN DE SU DISTRIBUIDOR DAIKIN.

LA UNIDAD QUE APARECE DESCRITA EN ESTE MANUAL HA SIDO DISEÑADA PARA SU INSTALACIÓN EXCLUSIVA EN INTERIORES Y SÓLO PARA FUNCIONAR EN UN RANGO DE TEMPERATURA AMBIENTE DE 39°F~95°F (4°C~35°C).

El texto en inglés constituye las instrucciones originales. El resto de los idiomas son traducciones de las instrucciones originales.

INTRODUCCIÓN**Información general**

La unidad interior es la parte interior de las bombas de calor ERLQ aire-agua. Estas unidades han sido diseñadas para su montaje sobre pared en interiores. Consulte la "Selección del lugar de instalación" en la página 13. Estas unidades pueden combinarse con unidades fancoil de Daikin, instalaciones de calefacción por suelo radiante, radiadores de baja temperatura e instalaciones de calefacción de agua sanitaria y kit solar para instalaciones de agua caliente sanitaria.

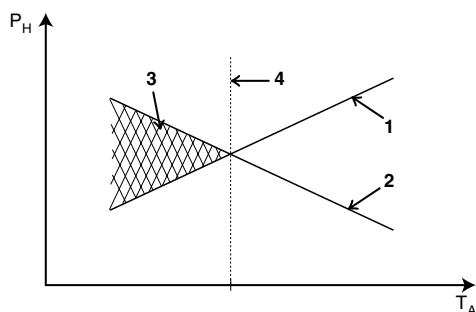
Unidades de sólo calefacción/refrigeración

La gama de unidades consta de dos versiones principales: Una versión de calefacción/refrigeración (EKHBX) y una versión de sólo calefacción (EKHBH).

Las dos versiones se suministran con un calefactor auxiliar integrado para proporcionar una capacidad de calefacción adicional cuando las temperaturas exteriores son bajas. El calefactor auxiliar también puede funcionar como calefactor de emergencia en caso de fallo de la unidad exterior. Los modelos con calefactor auxiliar están disponibles para una capacidad de calefacción de 3 y 6 kW dependiendo de la capacidad de calefacción.

Modelo de unidad interior	Capacidad del calefactor auxiliar	Tensión nominal del calefactor auxiliar
EKHB*054BA3VJU	3 kW	1x 230 V
EKHB*054BA6VJU	6 kW	1x 230 V

NOTA Una unidad exterior ERLQ0*BA sólo puede conectarse a una unidad interior EKHBH/X054BA (el calefactor de placas inferior en la unidad exterior deberá ser controlado por la unidad interior).



- 1 Capacidad de la bomba de calor
 - 2 Capacidad de calefacción requerida (dependiente del lugar)
 - 3 Capacidad de calefacción adicional proporcionada por el calefactor auxiliar
 - 4 Equilibrio de temperatura (puede ajustarse a través de la interfaz del usuario, consulte "Configuración personalizada" en la página 26)
- T_A Temperatura ambiente (exterior)
- P_H Capacidad de calefacción

Depósito de agua caliente sanitaria (opcional)

La unidad interior puede conectarse a un depósito de agua caliente sanitaria EKHW* opcional con una resistencia eléctrica integrada de 3 kW. El depósito de agua caliente sanitaria está disponible en dos tamaños: 50 y 80 galones (200 y 300 litros). Para obtener más información, consulte el manual de instalación del depósito de agua caliente sanitaria.

Kit de bandeja de drenaje (opcional)

En los modelos de calefacción/refrigeración (EKHBX), es necesario instalar el kit de bandeja de drenaje EKHBDP.

Para obtener información detallada acerca del kit de bandeja de drenaje consulte "Instalación de la bandeja de drenaje EKHBDP (sólo para modelos EKHBX)" en la página 15.

Kit solar para depósito de agua caliente sanitaria (opcional)

Para obtener información acerca del kit solar EKSOLHW consulte el manual de instalación que se suministra con el kit.

Kit de PCB de E/S digital (opcional)

A la unidad interior se puede conectar una PCB de E/S digital EKRP1HB y permite:

- salida de alarma remota
- salida de calefacción/refrigeración ON/OFF
- Funcionamiento bivalente (señal de autorización para la caldera auxiliar)

Consulte el manual de funcionamiento de la unidad interior y el manual de instalación de la PCB de E/S digital para obtener más información.

Consulte el diagrama de cableado o el diagrama de conexiones para conectar esta PCB a la unidad.

Kit de termostato remoto (opcional)

Se puede conectar un termostato de habitación opcional EKRTWA a la unidad interior. Consulte el manual de instalación del termostato de habitación para obtener más información.

Conexión a una fuente de alimentación de tarifa reducida

Este equipo permite conectarse a sistemas de suministro de alimentación a tarifa reducida. Seguirá siendo posible mantener el control total de la unidad sólo en caso de que el suministro de alimentación eléctrica a tarifa reducida sea del tipo en el que el suministro es ininterrumpido. Consulte el capítulo "Conexión a una fuente de alimentación de tarifa reducida" en la página 21 para obtener información detallada.

Ámbito de aplicación de este manual

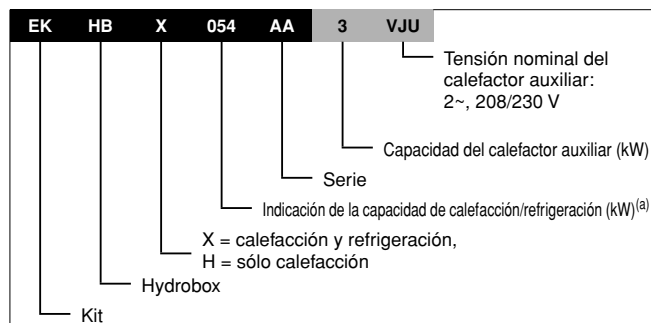
El manual de instalación describe los procedimientos para manejar, instalar y conectar todos los modelos de unidad interior EKHBH/X.

NOTA La instalación de la bomba de calor exterior ERLQ se explica en el manual de instalación de la unidad exterior.

La operación de la unidad interior se explica en el manual de operación de la unidad interior.

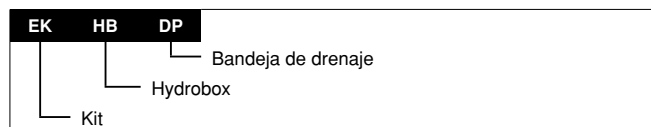
Identificación de modelo

Unidad interior



(a) Para obtener los valores exactos consulte el apartado "Especificaciones técnicas" en la página 45.

Kit de bandeja de drenaje (opcional)



ACCESORIOS

Accesorios suministrados con la unidad interior

Consulte la figura 1

- 1 Manual de instalación
- 2 Manual de operación
- 3 Válvula de cierre
- 4 Pegatina con el diagrama de cableado (al dorso de la tapa de la unidad interior)
- 5 Tornillo de fijación de la tapa de la unidad interior
- 6 Soporte de montaje sobre pared
- 7 Arandela de nailon

ADVERTENCIAS DE SEGURIDAD

Las indicaciones de precaución que aparecen en este manual pueden ser de cuatro tipos diferentes. Todas hacen referencia a aspectos importantes, de modo que asegúrese de que se cumplan estrictamente.

Significados de los símbolos **PELIGRO**, **ADVERTENCIA**, **PRECAUCIÓN** y **NOTA**.



PELIGRO

Indica una situación de peligro inminente que, si no se evita, puede causar lesiones graves o la muerte.

ADVERTENCIA

Indica una situación de peligro en potencia que, si no se evita, podría causar lesiones graves o la muerte.

PRECAUCIÓN

Indica una situación de peligro en potencia que, si no se evita, puede causar lesiones leves o moderadas. También puede servir para alertar frente a prácticas no seguras.

NOTA

Indica una situación que puede causar daños en el equipo u otros daños materiales.

Peligro

- Antes de tocar cualquier elemento o terminal eléctrico, desconecte el interruptor de alimentación.
- Al retirar el panel de servicio, las partes energizadas quedan al descubierto y pueden tocarse accidentalmente.
Nunca deje la unidad desprovista de vigilancia durante la instalación o durante los trabajos de mantenimiento cuando el panel de servicio esté retirado.
- No toque las tuberías de agua durante ni inmediatamente después de la operación porque pueden estar calientes. Puede sufrir quemaduras en las manos. Para evitar lesiones, deje que las tuberías vuelvan a su temperatura normal o utilice guantes protectores.
- No toque ningún interruptor con los dedos mojados. Tocar un interruptor con los dedos mojados puede provocar descargas eléctricas.
- Antes de tocar los componentes eléctricos, desconecte el suministro eléctrico.

Advertencia

- Desmante y deseche las bolsas de embalaje de plástico para que los niños no jueguen con ellas.
Los niños que juegan con bolsas de plástico corren peligro de muerte por asfixia.
- Elimine con seguridad los materiales de embalaje. Los materiales de embalaje, como las uñetas y cualquier otro componente de metal o madera podría causar cortes o lesiones de otro tipo.
- En caso de fuga accidental, nunca toque directamente el refrigerante. Podría sufrir heridas serias por congelamiento de los tejidos.
- No toque las tuberías de refrigerante durante ni inmediatamente después de la operación puesto que pueden estar calientes o frías, dependiendo del estado del refrigerante que fluye en la tuberías, el compresor u otras partes del ciclo de refrigerante. Sus manos pueden sufrir quemaduras por calor o frío si toca las tuberías de refrigerante. Para evitar lesiones, deje que las tuberías vuelvan a su temperatura normal y si tiene que tocarlas, utilice guantes protectores.

- No toque los componentes eléctricos (bomba, calefactor auxiliar, etc.) durante ni inmediatamente después de la operación.

Si toca los componentes internos, sus manos pueden sufrir quemaduras. Para evitar lesiones, deje que los componentes internos vuelvan a su temperatura normal y si tiene que tocarlos, utilice guantes protectores.

Cuidado

- Conecte a tierra la unidad.

La resistencia de tierra debería ajustarse a las normativas locales.

No conecte el cable de tierra a tuberías de gas o de agua, a conductores de pararrayos o a tomas de tierra telefónicas.



Si la conexión a tierra es incompleta, pueden producirse descargas eléctricas.

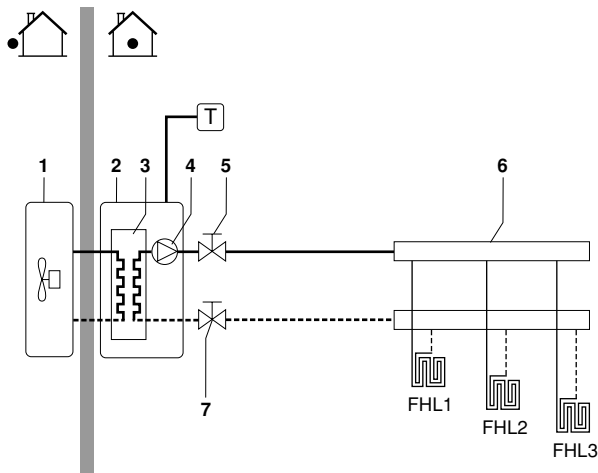
- Tubo del gas.
Puede producirse una ignición o explosión si se producen fugas de gas.
- Tubo de agua.
Los tubos de vinilo no son eficaces para la conexión a tierra.
- Varas de iluminación o cable de conexión a tierra en teléfonos.
El potencial eléctrico puede elevarse de forma anormal si resulta golpeado por una vara de iluminación.
- Instale el cableado de alimentación al menos a 3,28 pies (1 metro) de distancia de televisiones y radios para impedir interferencias o ruidos en la imagen.
(Dependiendo de las ondas de radio, una distancia de 3,28 pies (1 metro) podría no ser suficiente para eliminar el ruido).
- No lave con agua la unidad. Podría producirse una descarga eléctrica o un incendio.
- No instale la unidad:
 - En lugares con presencia de neblina de aceite mineral, spray de aceite o vapor.
Las piezas de plástico podrían deteriorarse y desprenderse o podrían producirse fugas de agua.
 - En lugares donde se produzca gas corrosivo como, por ejemplo, gas ácido sulfuroso.
La corrosión de los tubos de cobre o piezas soldadas podría causar una fuga de refrigerante.
 - En lugares con maquinaria que emita ondas electromagnéticas.
Las ondas electromagnéticas pueden causar interferencias en el sistema de control y hacer que el equipo no funcione correctamente.
 - En lugares con posible fuga de gas inflamable con fibra de carbono o polvo inflamable suspendido en el aire o en lugares en los que se manipulan elementos volátiles inflamables, tales como disolventes o gasolina.
Estos gases pueden provocar un incendio.
 - En lugares donde el aire contenga altos niveles de sal.
 - En lugares con grandes fluctuaciones de voltaje como fábricas.
 - En vehículos o embarcaciones.
 - Donde haya vapor ácido o alcalino.

EJEMPLOS DE APLICACIÓN TÍPICA

Los ejemplos de aplicación que se indican a continuación sólo son válidos con fines ilustrativos.

Aplicación 1

Instalación de sólo calefacción con un termostato instalado en la habitación conectado a la unidad interior.



1	Unidad exterior	6	Colector (suministro independiente)
2	Unidad interior	7	Válvula de cierre
3	Intercambiador de calor	FHL1..3	Circuito cerrado de calefacción de suelo
4	Bomba	T	Termostato de habitación (opcional)
5	Válvula de cierre		

Funcionamiento de la bomba y calefacción de habitaciones

Cuando el termostato de la habitación (T) está conectado a la unidad interior, la bomba (4) se activará cuando el termostato de la habitación envíe una petición de calefacción y la unidad exterior se activará para conseguir la temperatura deseada del agua de salida conforme al ajuste de la interfaz del usuario.

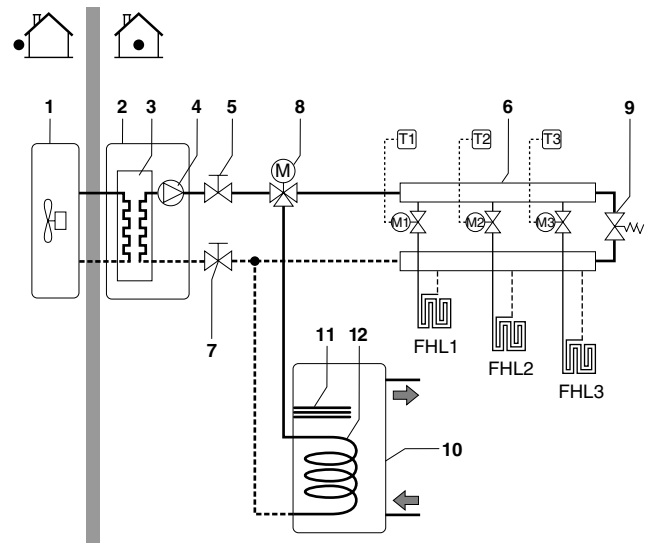
Cuando la temperatura de la habitación se encuentre por encima del punto de referencia del termostato, la unidad exterior y la bomba se apagarán.



Asegúrese de conectar los cables del termostato a los terminales correctos (véase "Conexión del cable del termostato" en la página 20) y de configurar el interruptor DIP para que se conmute correctamente (véase "Configuración de la instalación del termostato de la habitación" en la página 24).

Aplicación 2

Instalación de sólo calefacción sin un termostato instalado en la habitación conectado a la unidad interior. La temperatura de cada una de las habitaciones se controla mediante una válvula en cada circuito de agua. El depósito de agua caliente sanitaria conectado a la unidad interior suministra el agua caliente sanitaria.



1	Unidad exterior	10	Depósito de agua caliente sanitaria (opcional)
2	Unidad interior	11	Resistencia eléctrica
3	Intercambiador de calor	12	Serpentín del intercambiador de calor
4	Bomba	FHL1..3	Circuito cerrado de calefacción de suelo
5	Válvula de cierre	T1..3	Termostato de habitación individual (opcional)
6	Colector (suministro independiente)	M1..3	Válvula motorizada individual para controlar el circuito FHL1 (suministro independiente)
7	Válvula de cierre		
8	Válvula de 3 vías motorizada (se suministra con el depósito de agua caliente sanitaria)		
9	Válvula de by-pass (suministro independiente)		

Operación de la bomba

Sin termostato conectado a la unidad interior (2), la bomba (4) puede configurarse para que funcione sincronizada con la unidad interior, o bien, para que siga funcionando hasta alcanzar la temperatura del agua requerida.

NOTA



Encontrará información detallada sobre la configuración de la bomba en el apartado "Configuración de funcionamiento de la bomba" en la página 24.

Calefacción de habitaciones

La unidad exterior (1) se activará para alcanzar la temperatura de agua de salida deseada conforme al ajuste de la interfaz del usuario.

NOTA



Cuando la circulación en cada circuito de calefacción de habitaciones (FHL1..3) se controla mediante válvulas accionadas por control remoto (M1..3), es importante instalar una válvula de by-pass (9) para evitar que se active el dispositivo de seguridad del interruptor de flujo.

La válvula de by-pass deberá seleccionarse de forma que el caudal de agua mínimo quede garantizado de acuerdo con las especificaciones del apartado "Tubería de agua" en la página 15.

Se recomienda seleccionar una diferencia de presión controlada por la válvula de by-pass.

Calefacción del agua sanitaria

Cuando está activado el modo de calefacción del agua sanitaria (ya sea manualmente por el usuario o automáticamente mediante el temporizador de programación) la temperatura deseada del agua caliente sanitaria se alcanzará mediante una combinación del serpentín del intercambiador de calor y la resistencia eléctrica.

Cuando la temperatura del agua caliente sanitaria se encuentra por debajo del punto de referencia ajustado por el usuario, la válvula de 3 vías se activará para calentar el agua sanitaria mediante la bomba de calor. En caso de existir una gran demanda de agua caliente sanitaria, la resistencia eléctrica (11) puede proporcionar un calentamiento adicional auxiliar.

NOTA



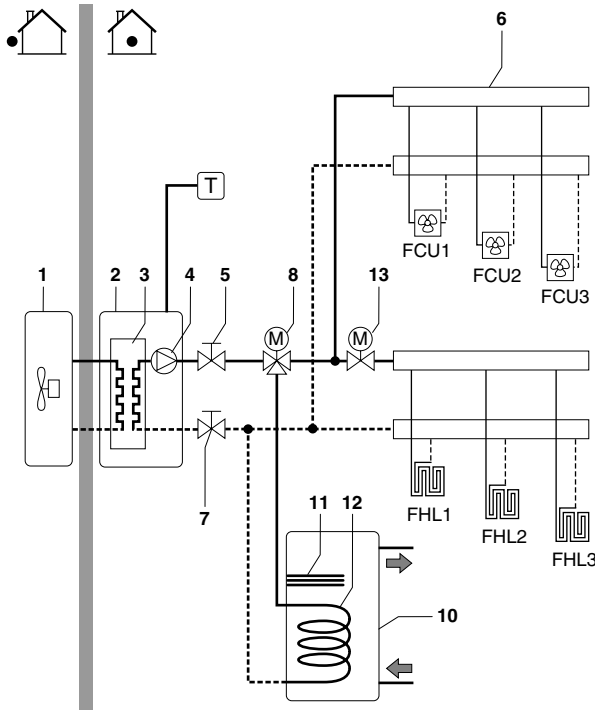
La unidad interior puede configurarse de forma que cuando la temperatura exterior sea baja el agua sanitaria sea calentada exclusivamente por la resistencia eléctrica. Actuando de este modo se garantizará la disponibilidad de la capacidad máxima de la bomba de calor para calentar las habitaciones.

Para obtener información detallada sobre la configuración del depósito de agua caliente sanitaria con temperatura exterior baja consulte "Configuración personalizada" en la página 26, ajustes de campo [5-02] a [5-04].

Aplicación 3

Instalación de calefacción y refrigeración de habitaciones con un termostato **adecuado para la conmutación calefacción/refrigeración**, conectado a la unidad interior. La calefacción se proporciona mediante circuitos cerrados de calefacción radiante de suelos y fancoils. La refrigeración se proporciona exclusivamente a través de los fancoils.

El depósito de agua caliente sanitaria conectado a la unidad interior suministra el agua caliente sanitaria.



1	Unidad exterior	10	Depósito de agua caliente sanitaria (opcional)
2	Unidad interior	11	Resistencia eléctrica
3	Intercambiador de calor	12	Serpentín del intercambiador de calor
4	Bomba	13	Válvula de 2 vías motorizada (suministro independiente)
5	Válvula de cierre	FCU1..3	Unidad fancoil (opcional)
6	Colector (suministro independiente)	FHL1..3	Circuito cerrado de calefacción de suelo
7	Válvula de cierre	T	Termostato con interruptor de calefacción/refrigeración (opcional)
8	Válvula de 3 vías motorizada (se suministra con el depósito de agua caliente sanitaria)		

Operación de la bomba y calefacción y refrigeración de las habitaciones

Dependiendo de la estación, el cliente seleccionará el modo de refrigeración o de calefacción en el termostato de la habitación (T). Esta selección no es posible operando la interfaz de usuario.

Cuando el termostato de la habitación (T) solicita la calefacción/refrigeración de la habitación, la bomba se pondrá en marcha y la unidad interior (2) cambiará a "modo de calefacción/modo de refrigeración". La unidad exterior (1) se pondrá en marcha para alcanzar la temperatura del agua deseada, ya sea fría o caliente.

En caso del modo de refrigeración, la válvula motorizada de 2 vías (13) se cerrará para impedir que el agua fría pase a través de los circuitos cerrados de calefacción de suelo radiante (FHL).

NOTA



Asegúrese de conectar los cables del termostato a los terminales correctos (véase "Conexión del cable del termostato" en la página 20) y de configurar el interruptor DIP para que se conmute correctamente (véase "Configuración de la instalación del termostato de la habitación" en la página 24).

NOTA



El cableado de la válvula de 2 vías (13) es diferente para una válvula normalmente cerrada que para una válvula normalmente abierta. Asegúrese de conectar a los números correctos de terminal tal y como aparece especificado en el diagrama de cableado.

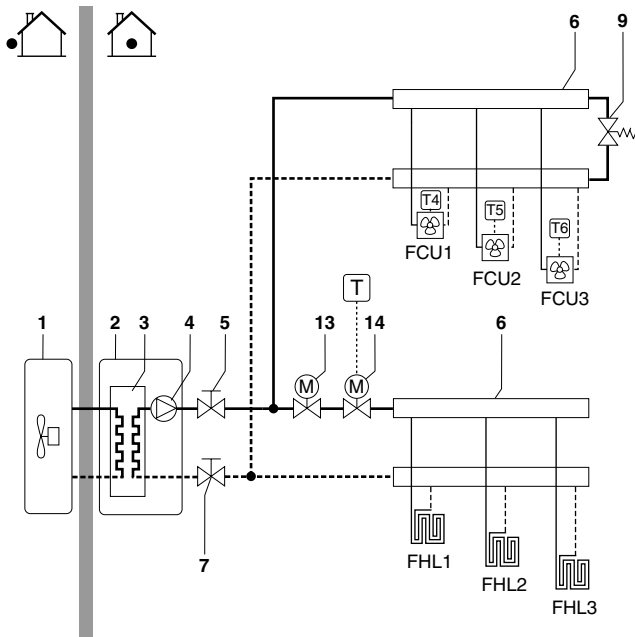
El ajuste ON/OFF de la función de calefacción/refrigeración se realiza mediante el termostato de la habitación y no puede realizarse a través de la interfaz de usuario de la unidad interior.

Calefacción del agua sanitaria

El calentamiento del agua caliente sanitaria tiene lugar como se explica en el apartado "Aplicación 2" en la página 4.

Aplicación 4

Instalación de refrigeración y calefacción de habitaciones **sin un termostato de habitación conectado a la unidad interior**, pero con un termostato de habitación de sólo calefacción que controla la calefacción de suelo radiante y un termostato de calefacción/refrigeración que controla los fancoils. La calefacción se proporciona mediante circuitos cerrados de calefacción radiante de suelos y fancoils. La refrigeración se proporciona exclusivamente a través de los fancoils.



1	Unidad exterior	14	Válvula motorizada de 2 vías para la activación del termostato de la habitación (suministro independiente)
2	Unidad interior	FCU1..3	Unidad fancoil (opcional)
3	Intercambiador de calor	FHL1..3	Circuito cerrado de calefacción de suelo
4	Bomba	T	Termostato interior para calefacción solamente (opcional)
5	Válvula de cierre	T4..6	Termostato individual para habitación calentada/enfriada por fancoil (opcional)
6	Colector (suministro independiente)		
7	Válvula de cierre		
9	Válvula de by-pass (suministro independiente)		
13	Válvula motorizada de 2 vías para cerrar los circuitos cerrados de calefacción de suelo radiante durante la función de refrigeración (suministro independiente)		

Operación de la bomba

Sin termostato conectado a la unidad interior (2), la bomba (4) puede configurarse para que funcione sincronizada con la unidad interior, o bien, para que siga funcionando hasta alcanzar la temperatura del agua requerida.

NOTA



Encontrará información detallada sobre la configuración de la bomba en el apartado "Configuración de funcionamiento de la bomba" en la página 24.

Calefacción y refrigeración de habitaciones

Dependiendo de la estación, el cliente seleccionará el modo de calefacción o refrigeración a través de la interfaz de usuario de la unidad interior.

La unidad exterior (1) funcionará en modo refrigeración o calefacción para alcanzar la temperatura deseada del agua de salida.

Con la unidad ajustada en modo calefacción, la válvula de 2 vías (13) está abierta. El agua caliente se suministra tanto a los fancoils como a los circuitos cerrados de calefacción de suelo radiante.

Con la unidad ajustada en modo de refrigeración, la válvula motorizada de 2 vías (13) se cerrará para impedir que el agua fría pase a través de los circuitos cerrados de calefacción de suelo radiante (FHL).



Cuando varios circuitos del sistema se cierran por la actuación de válvulas activadas por control remoto, podría ser necesario instalar una válvula de by-pass (9) para evitar la activación del dispositivo de seguridad del interruptor de flujo. Véase también "Aplicación 2" en la página 4.



El cableado de la válvula de 2 vías (13) es diferente para una válvula normalmente cerrada que para una válvula normalmente abierta. Asegúrese de conectar a los números correctos de terminal tal y como aparece especificado en el diagrama de cableado.

El ajuste ON/OFF de la función de calefacción/refrigeración se realiza a través de la interfaz de usuario de la unidad interior.

Aplicación 5

Calefacción de interiores con caldera auxiliar (funcionamiento alterno)

Calefacción de aplicación en interiores, bien mediante la unidad interior Daikin o mediante una caldera auxiliar conectada al sistema. La decisión sobre si la unidad interior EKHB o la caldera funcionará puede tomarse mediante un contacto auxiliar o un contacto controlado desde el interior EKHB*.*

Este contacto auxiliar puede ser, por ej., un termostato de temperatura exterior, un contacto de tarifa eléctrica nocturna, un contacto de accionamiento manual, etc. Consulte "Configuración del cableado de obra A" en la página 7.

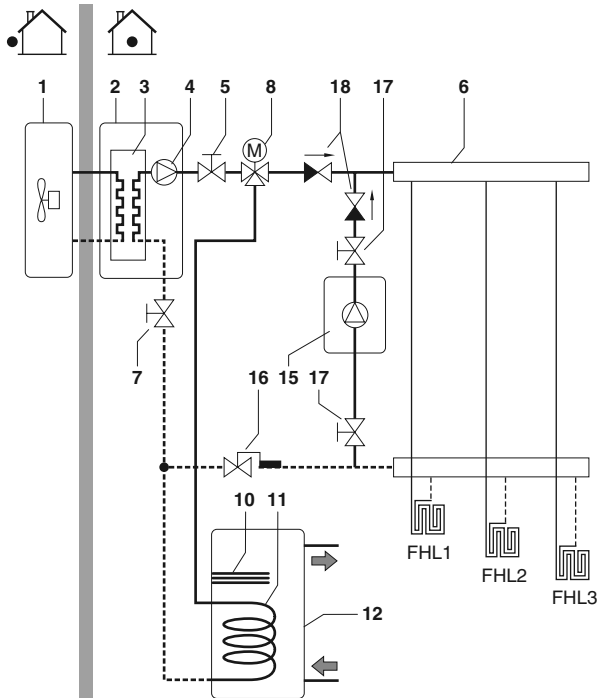
El contacto EKHB controlado desde la unidad interior (también llamado "señal de autorización para la caldera auxiliar") se determina mediante la temperatura exterior (termistor situado en la unidad exterior). Consulte "Configuración del cableado de obra B" en la página 7.*

El funcionamiento bivalente sólo es posible para la operación de calefacción de habitaciones, **no** para la operación de calentamiento de agua sanitaria. El agua caliente sanitaria en dicha aplicación siempre se suministra a través del depósito de agua caliente sanitaria conectado a la unidad interior Daikin.

Se puede integrar la caldera auxiliar en el sistema de tuberías y en el cableado de la obra de acuerdo con la ilustración que se muestra más abajo.

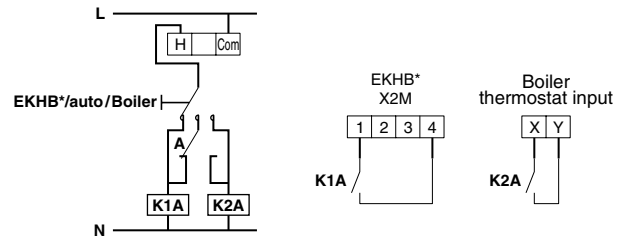
PRECAUCIÓN

- Asegúrese de que la caldera y la integración de la caldera en el sistema cumple con las correspondientes disposiciones europeas y nacionales.
- Daikin no se hace responsable de situaciones incorrectas o inseguras en el sistema de la caldera.



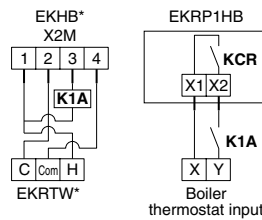
1	Unidad exterior	11	Serpentín del intercambiador de calor
2	Unidad interior	12	Depósito de agua caliente sanitaria (opcional)
3	Intercambiador de calor	15	Caldera (suministro independiente)
4	Bomba	16	Válvula Aquastat (suministro independiente)
5	Válvula de cierre	17	Válvula de cierre (suministrada independientemente)
6	Colector (suministro independiente)	18	Válvula antirretorno (suministrada independientemente)
7	Válvula de cierre	FHL1...3	Circuito cerrado de calefacción radiante en suelos (suministro independiente)
8	Válvula de 3 vías motorizada (se suministra con el depósito de agua caliente sanitaria)		
10	Resistencia eléctrica		

Configuración del cableado de obra A



Boiler thermostat input	Entrada del termostato de la caldera
A	Contacto auxiliar (normalmente cerrado)
H	Termostato para calefacción solamente (opcional)
K1A	Relé auxiliar de activación de la unidad EKHB* (suministrado independientemente)
K2A	Relé auxiliar de activación de la caldera (suministrado independientemente)

Configuración del cableado de obra B



Boiler thermostat input	Entrada del termostato de la caldera
C	Termostato para refrigeración solamente (opcional)
H	Termostato para calefacción solamente (opcional)
Com	Termosto de habitación común (opcional)
K1A	Relé auxiliar de activación de la unidad de caldera (suministrado independientemente)
KCR	Señal de autorización para la caldera auxiliar

Operación

■ Configuración A

Cuando el termostato de habitación interior solicita calefacción, la unidad EKHB* o la caldera se pondrán en marcha, en función de la posición del contacto auxiliar (A).

■ Configuración B

Cuando el termostato de habitación solicite calefacción, la unidad EKHB* o la caldera comenzarán a funcionar, en función de la temperatura exterior (estado de la "señal de autorización para la caldera auxiliar").

Cuando la caldera reciba autorización, el funcionamiento en modo calefacción mediante la unidad EKHB* se apagará automáticamente.

Para obtener más detalles, consulte el ajuste de campo [C-02~C-04].

NOTA



■ Configuración A

Asegúrese de que el contacto auxiliar (A) cuenta con un diferencial o un retardo suficiente para evitar el continuo cambio de funcionamiento entre la unidad EKHB* y la caldera. Si el contacto auxiliar (A) es un termostato de temperatura exterior, asegúrese de instalar el mismo a la sombra, de forma que no se vea afectado o activado/desactivado por el sol.

■ Configuración B

Asegúrese de que la histéresis bivalente [C-04] dispone de suficiente diferencial para evitar el continuo cambio de funcionamiento entre la unidad EKHB* y la caldera. Puesto que la temperatura exterior se mide a través del termistor de aire de la unidad exterior, asegúrese de instalar la unidad exterior en la sombra, para que no se vea afectada por el sol.

La frecuencia de conmutación excesiva puede causar corrosión prematura en la caldera. Consulte al fabricante de la caldera.

- Durante el funcionamiento de calefacción de la unidad EKHB*, la unidad funcionará con el objeto de mantener la temperatura de salida de agua establecida en la interfaz de usuario. Cuando está activado el control según las condiciones climáticas, la temperatura del agua es establecida automáticamente en función de la temperatura exterior.

Durante el funcionamiento de calefacción de la caldera, ésta funcionará con el objeto de mantener la temperatura de salida de agua establecida en el controlador de la caldera.

No establezca, en el controlador de la caldera, un punto de ajuste para la temperatura de salida de agua superior a 131°F (55°C).

- Asegúrese de que solamente hay 1 recipiente de expansión en el circuito de agua. La unidad interior Daikin ya viene con un recipiente de expansión montado.

NOTA



Asegúrese de configurar correctamente el conmutador DIP SS2-3 en la tarjeta PCB de la caja de conexiones de la unidad EKHB*. Consulte "Configuración de la instalación del termostato de la habitación" en la página 24.

Para la configuración B: Asegúrese de configurar los ajustes de campo [C-02, C-03 y C-04] correctamente. Consulte "Funcionamiento bivalente" en la página 34.



PRECAUCIÓN

Asegúrese de que la temperatura del agua de retorno al intercambiador de calor de la unidad EKHB* no exceda nunca de 131°F (55°C).

Por esta razón, no establezca nunca, en el controlador de la caldera, un punto de ajuste de temperatura de salida de agua superior a 131°F (55°C) y, si es preciso, instale una válvula^(a) aquastat en la tubería de retorno de agua de la unidad EKHB*.

Asegúrese de que las válvulas antiretro (suministradas independientemente) se instalan correctamente en el sistema.

Asegúrese de que el termostato para habitaciones (th) no se enciende ni se apaga muy a menudo.

Daikin no se hace responsable de ningún daño ocurrido como consecuencia del incumplimiento de esta instrucción.

- (a) La válvula aquastat deberá establecerse para 131°F (55°C) y funcionar para cerrar el caudal de agua de retorno a la unidad cuando la temperatura medida sea superior a 131°F (55°C). Cuando la temperatura descienda a un nivel inferior, la válvula aquastat deberá funcionar para volver a abrir el caudal de agua de retorno a la unidad EKHB*.



Autorización manual para la unidad EKHB* en la caldera.

En caso de que sólo deba funcionar la unidad EKHB* en modo calefacción, deshabilite el funcionamiento bivalente a través del ajuste [C-02].

En caso de que sólo la caldera deba funcionar en modo calefacción, aumente la temperatura de encendido bivalente [C-03] a 77°F (25°C).

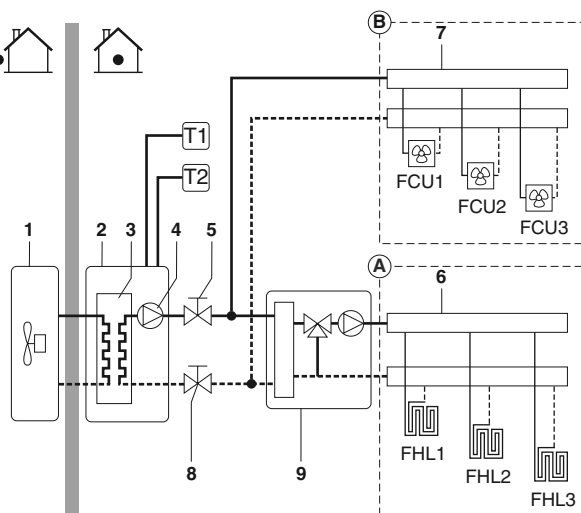
Aplicación 6

Calefacción de habitaciones con termostato de habitación a través de circuitos cerrados de calefacción de suelo radiante y unidades fancoil. Los circuitos cerrados de calefacción de suelo radiante y las unidades fancoil requieren distintas temperaturas de agua para su funcionamiento.

Los circuitos cerrados de calefacción de suelo radiante requieren una temperatura de agua menor en el modo calefacción en comparación con las unidades fancoil. Para lograr estos dos puntos de referencia, se utiliza una estación de mezcla para adaptar la temperatura del agua de acuerdo con los requisitos de los circuitos cerrados de calefacción de suelo radiante. Las unidades fancoil se conectan directamente al circuito de agua de la unidad interior y a los circuitos cerrados de calefacción de suelo radiante después de la estación de mezcla. La unidad interior no controla la estación de mezcla.

El funcionamiento y configuración del circuito de agua en la obra es responsabilidad del instalador.

Daikin sólo ofrece una función de control de punto de referencia doble. Mediante esta función se pueden generar dos puntos de referencia. Dependiendo de la temperatura de agua requerida (se requieren circuitos cerrados de calefacción de suelo radiante y/o unidades fancoil) se puede lograr un primer punto de referencia o un segundo punto de referencia.



1	Unidad exterior	8	Válvula de cierre
2	Unidad interior	9	Estación de mezcla (suministrada independientemente)
3	Intercambiador de calor		
4	Bomba	T1	Termostato de habitación para la zona A (opcional)
5	Válvula de cierre	T2	Termostato de habitación para la zona B (opcional)
6	Colector para zona A (suministro independiente)	FCU1...3	Unidad fancoil (opcional)
7	Colector para zona B (suministro independiente)	FHL1...3	Circuito cerrado de calefacción radiante en suelos (suministro independiente)



La ventaja de este control de punto de referencia doble es que la bomba funcionará/puede funcionar con la temperatura de agua de salida más baja cuando sólo es necesaria la calefacción de suelo radiante. Las temperaturas de agua de salida más altas sólo son necesarias en caso de que funcionen unidades fancoil.

Esto conlleva un mejor rendimiento de la bomba de calor.

Funcionamiento de la bomba y calefacción de habitaciones

Cuando el termostato para habitación del circuito cerrado de calefacción de suelo radiante (T1) y las unidades fancoil (T2) se conectan a la unidad interior, la bomba (4) funcionará cuando haya una demanda de calefacción de T1 y/o T2. La unidad exterior se pondrá en marcha para alcanzar la temperatura del agua de salida deseada. La temperatura de agua de salida deseada depende del termostato para habitación que requiera calefacción.

Zona	Valor de ajuste (punto de referencia)	Ajustes de obra	Estado del termostato			
			ON	OFF	ON	OFF
Zona A	Primero	UI	ON	OFF	ON	OFF
Zona B	Segundo	[7-03]	OFF	ON	ON	OFF
Temperatura del agua resultante			UI	[7-03]	[7-03]	—
Funcionamiento de la bomba resultante			ON	ON	ON	OFF

Cuando la temperatura de la habitación de ambas zonas se encuentre por encima del punto de referencia del termostato, la unidad exterior y la bomba se apagarán.

NOTA



- Asegúrese de conectar los cables del termostato a los terminales adecuados (consulte el apartado "Descripción general de la unidad interior" en la página 10).
- Asegúrese de configurar los ajustes de campo [7-02], [7-03] y [7-04] correctamente. Consulte "Control del punto de referencia doble" en la página 32.
- Asegúrese de configurar correctamente el conmutador DIP SS2-3 en la tarjeta PCB de la caja de conexiones de la unidad EKHBH. Consulte "Configuración de la instalación del termostato de la habitación" en la página 24.

NOTA



- Las señales de petición para la calefacción de habitaciones pueden implementarse de dos formas diferentes (elección del instalador).
 - Señal ON/OFF (encendido/apagado) del termostato de habitación
 - Señal de estado (activada/no activada) desde la estación de mezcla
- Es responsabilidad del instalador asegurarse de que no ocurran situaciones no deseadas (por ejemplo, temperaturas del agua de salida demasiado altas hacia los circuitos cerrados de calefacción de suelo radiante, etc.)
- Daikin no ofrece ningún tipo de estación de mezcla. El control de punto de referencia doble sólo ofrece la posibilidad de utilizar dos puntos de referencia.
- Cuando sólo la zona A solicita calefacción, la zona B recibirá agua a una temperatura igual a la del primer punto de referencia. Esto puede resultar en una calefacción no deseada de la zona B.
- Cuando sólo la zona B solicita calefacción, la estación de mezcla recibirá agua a una temperatura igual a la del segundo punto de referencia. Dependiendo del control de la estación de mezcla, el circuito cerrado de calefacción de suelo radiante puede recibir aún agua a una temperatura igual a la del punto de referencia de la estación de mezcla.

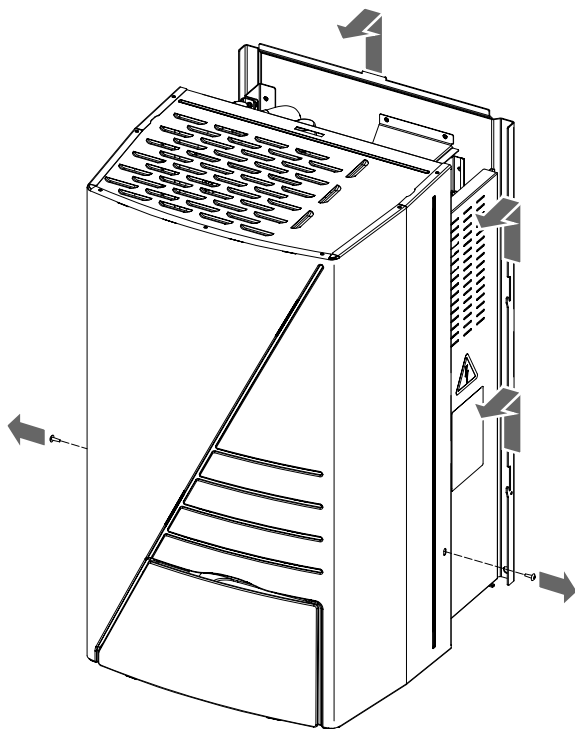


Tenga en cuenta que la temperatura de agua real a través de los circuitos cerrados de calefacción de suelo radiante depende del control y del ajuste de la estación de mezcla.

DESCRIPCIÓN GENERAL DE LA UNIDAD INTERIOR

Cómo abrir la unidad interior

- La aleta delantera de la tapa de la unidad interior permite el acceso al manómetro y a la interfaz del usuario.
- La tapa de la unidad interior puede extraerse desenroscando los 2 tornillos laterales y desenganchando la tapa.



Asegúrese de fijar la tapa mediante los tornillos y la arandela de nailon cuando instale la tapa (los tornillos vienen suministrados como accesorios).



Los componentes del interior de la unidad pueden estar calientes.

- Para acceder a los componentes de la caja de conexiones, p.ej., para conectar el cableado de campo, es posible retirar el panel de servicio de la caja de conexiones. Para ello afloje los tornillos delanteros y desenganche el panel de servicio de la caja de conexiones.



ADVERTENCIA

- Corte la alimentación, la alimentación de la unidad exterior y el calefactor auxiliar y, si procede, la alimentación del depósito de agua sanitaria), antes de extraer el panel de servicio de la caja de interruptores.
- No toque las tuberías de refrigerante durante ni inmediatamente después de la operación puesto que pueden estar calientes o frías, dependiendo del estado del refrigerante que fluye en la tuberías, el compresor u otras partes del ciclo de refrigerante. Sus manos pueden sufrir quemaduras por calor o frío si toca las tuberías de refrigerante. Para evitar lesiones, deje que las tuberías vuelvan a su temperatura normal y si tiene que tocarlas, utilice guantes protectores.
- No toque los componentes eléctricos (bomba, calefactor auxiliar, etc.) durante ni inmediatamente después de la operación.

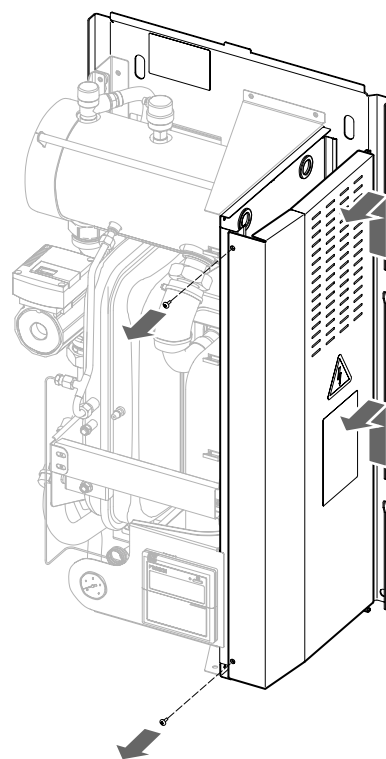
Si toca los componentes internos, sus manos pueden sufrir quemaduras. Para evitar lesiones, deje que los componentes internos vuelvan a su temperatura normal y si tiene que tocarlos, utilice guantes protectores.



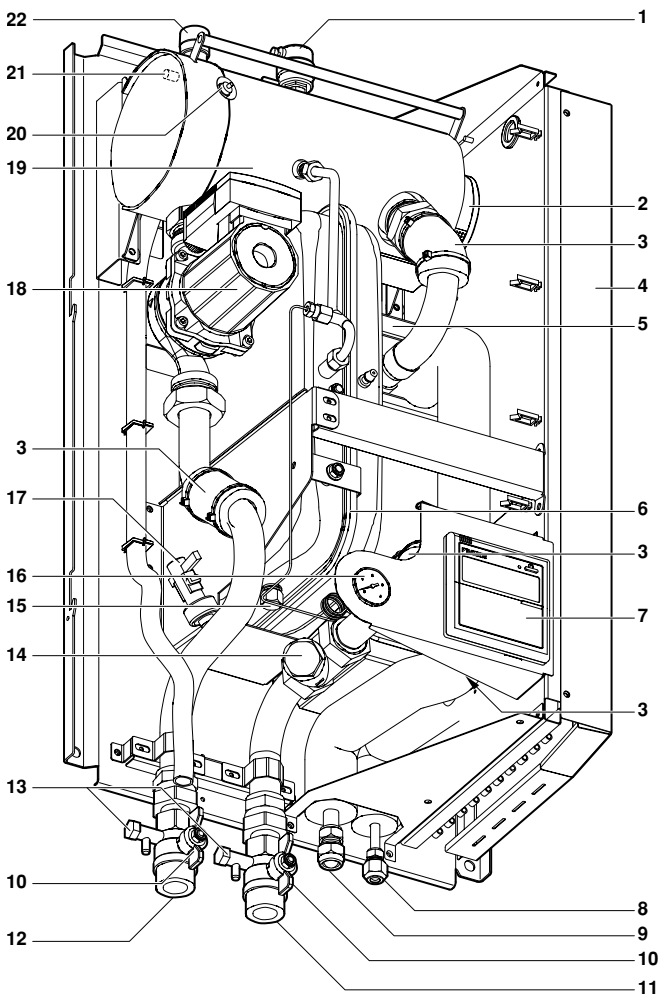
PELIGRO

- No toque las tuberías de agua durante ni inmediatamente después de la operación porque pueden estar calientes. Puede sufrir quemaduras en las manos. Para evitar lesiones, deje que las tuberías vuelvan a su temperatura normal o utilice guantes protectores.
- Al retirar el panel de servicio, las partes energizadas quedan al descubierto y pueden tocarse accidentalmente.

Nunca deje la unidad desprovista de vigilancia durante la instalación o durante los trabajos de mantenimiento cuando el panel de servicio esté retirado.



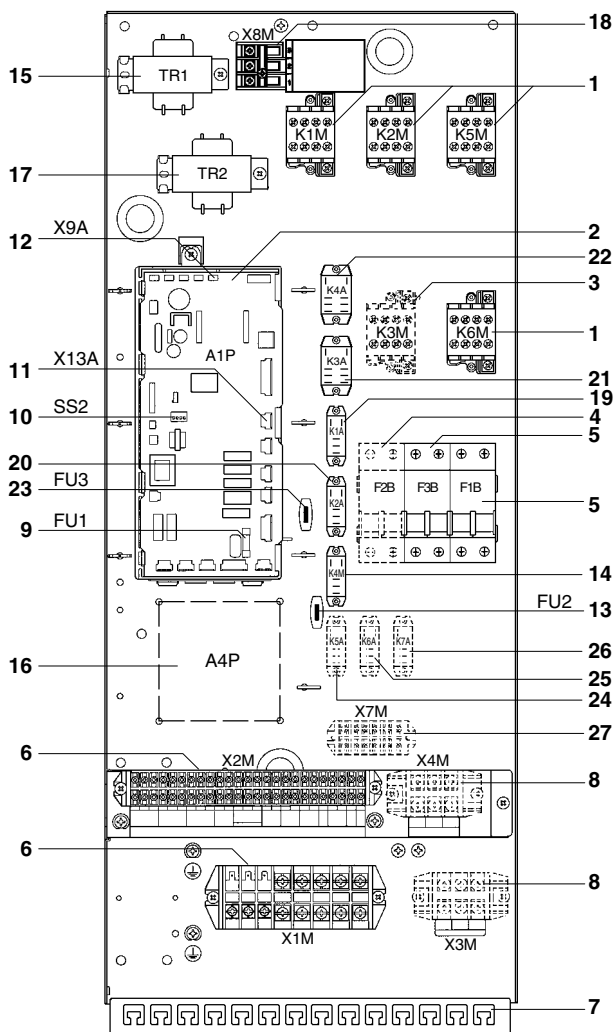
Componentes principales



1. **Válvula de purga de aire**
El aire que quede retenido en el circuito de agua se eliminará automáticamente a través de la válvula de purga de aire.
2. **Calefactor auxiliar**
El calefactor auxiliar consta de un elemento calefactor eléctrico en el calefactor auxiliar que proporciona una capacidad de calefacción adicional al circuito de agua si la capacidad de calefacción de la unidad exterior es insuficiente debido a las bajas temperaturas exteriores.
3. **Sensores de temperatura**
Tres sensores de temperatura determinan la temperatura del agua en varios puntos del circuito del agua.
4. **Caja de conexiones**
La caja de interruptores alberga los componentes electrónicos y eléctricos de la unidad interior.
5. **Intercambiador de calor**
6. **Recipiente de expansión (2,6 galones) [10 l]**
7. **Interfaz de usuario**
La interfaz de usuario permite al instalador y al usuario ajustar, operar y realizar las tareas de mantenimiento de la unidad.
8. **Conexión del líquido refrigerante**
9. **Conexión del gas refrigerante**
10. **Válvulas de cierre (accesorios)**
Las válvulas de cierre de las conexiones de entrada y de salida del agua permiten aislar el lado del circuito de agua de la unidad interior del lado del circuito de agua residencial. Esto facilita el drenaje y la sustitución del filtro de la unidad interior.
11. **Conexión para la entrada del agua**
12. **Conexión para la salida del agua**
13. **Válvulas de drenaje y de llenado**

14. **Filtro de agua**
El filtro de agua elimina la suciedad del agua para impedir que se produzcan daños en la bomba o evitar atascos en el evaporador. El filtro de agua deberá limpiarse regularmente. Consulte la "Mantenimiento y servicio técnico" en la página 41.
15. **Manómetro**
Mediante el manómetro es posible leer la presión del agua que circula por el circuito de agua.
16. **Interruptor de flujo**
El interruptor de flujo controla el caudal del circuito de agua y protege al intercambiador de calor frente a la congelación e impide que la bomba sufra daños.
17. **Bomba**
La bomba hace circular el agua por el circuito de agua.
18. **Protector térmico del calefactor auxiliar**
El calefactor auxiliar está equipado con una protección térmica. La protección térmica se activa cuando la temperatura es demasiado alta.
19. **Fusible térmico del calefactor auxiliar**
El calefactor auxiliar está equipado con una protección térmica. La protección térmica salta cuando la temperatura asciende de forma excesiva (más alta que la temperatura del protector térmico del calefactor auxiliar).
20. **Válvula de alivio de presión**
La válvula de alivio de presión impide que la presión del agua supere el nivel máximo admisible en el circuito de agua del sistema abriéndose a 43,5 psi (3 bares) y descargando un poco de agua.
21. **Tubo flexible de la válvula de alivio de presión**
La salida real de la válvula de alivio de presión. Asegúrese de proporcionar un drenaje adecuado.

Componentes principales de la caja de conexiones

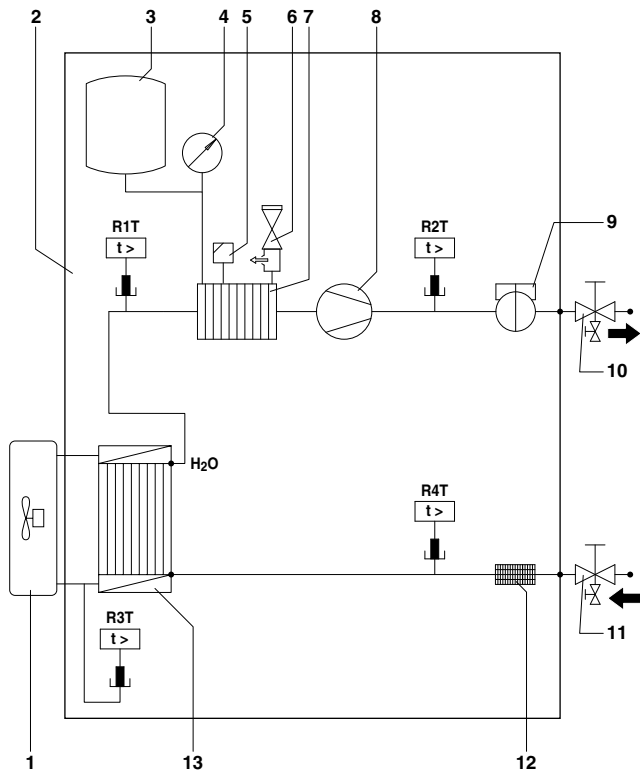


1. Contactores del calefactor auxiliar K1M, K2M, K5M y K6M.
2. Tarjeta de circuito impreso principal (PCB)
La tarjeta de circuito impreso principal controla el funcionamiento de la unidad.
3. Contactor K3M del calefactor (sólo para instalaciones con depósito de agua caliente sanitaria)
4. Disyuntor de la resistencia eléctrica F2B (sólo para instalaciones con depósito de agua caliente sanitaria)
Este disyuntor protege la resistencia eléctrica del depósito de agua caliente sanitaria frente a sobrecargas o cortocircuitos.
5. Disyuntor del calefactor auxiliar F1B, B3B
El disyuntor protege el circuito eléctrico del calefactor auxiliar frente a sobrecargas o cortocircuitos.
6. Bloques de terminales
Los bloques de terminales permiten conectar el cableado de obra con facilidad.
7. Sujetacables
Los sujetacables permiten fijar el cableado de obra a la caja de conexiones mediante sujetacables para asegurar el alivio de tracción de los cables.
8. Bloques de terminales X3M, X4M (sólo para instalaciones con depósito de agua caliente sanitaria)
9. Fusible, tarjeta PCB FU1
10. Interruptor DIP SS2
El interruptor DIP SS2 está provisto de 4 interruptores selectores para configurar determinados parámetros de instalación. Consulte la "Descripción general de los ajustes del interruptor DIP" en la página 23.

11. Toma X13A
La toma X13A recibe el conector K3M (sólo para instalaciones con depósito de agua caliente sanitaria).
12. Toma X9A
La toma X9A recibe el conector del termistor (sólo para instalaciones con depósito de agua caliente sanitaria).
13. Fusible de la bomba FU2 (fusible en serie)
14. Relé de la bomba K4M
15. Transformador TR1
16. A4P
PCB de E/S digital (sólo para instalaciones con kit solar o kit de PCB de E/S digital).
17. Transformador TR2 24 V CA para válvula y relés (grifos múltiples)
18. Bloque de terminales X8M
El bloque de terminales X8M se utiliza para seleccionar la tensión de alimentación al transformador TR2.
19. Relé de la válvula de 3 vías K1A
20. Relé de la válvula de 2 vías K2A
21. Relé de demanda de segundo punto de referencia/calefacción K3A
22. Relé de demanda de primer punto de referencia/refrigeración K4A
23. Fusible para válvulas y relés FU3
24. Relé de salida de alarma K5A (sólo para instalaciones con kit de PCB de E/S digital)
25. Relé de salida ON/OFF de calefacción/refrigeración K6A (sólo para instalaciones con kit de PCB de E/S digital)
26. Relé de entrada solar K7A (sólo para instalaciones con kit solar)
27. Bloque de terminales (sólo para instalaciones con kit de PCB de E/S digital)

NOTA El diagrama de cableado eléctrico figura en la parte interior de la tapa de la caja de interruptores.

Diagrama de funcionamiento



1	Unidad exterior	10	Válvula de cierre a la salida de agua con válvula de drenaje (instalación en campo)
2	Unidad interior	11	Válvula de cierre a la entrada de agua con válvula de drenaje (instalación en campo)
3	Recipiente de expansión	12	Filtro
4	Manómetro	13	Intercambiador de calor
5	Válvula de purga de aire	R1T	
6	Válvula de alivio de presión	R2T	Sensores de temperatura
7	Calefactor auxiliar	R3T	
8	Bomba	R4T	
9	Interruptor de flujo		

Requisito	Valor
Longitud máxima permisible de la tubería de refrigerante entre la unidad exterior y la unidad interior	246 pies (75 m)
Longitud mínima permisible de la tubería de refrigerante entre la unidad exterior y la unidad interior	9,8 pies ^(a) (3 m)
Altura máxima permisible entre la unidad exterior y la unidad interior	98,4 pies (30 m)
Máxima distancia admisible entre la válvula de 3 vías y la unidad interior (sólo para instalaciones con depósito de agua sanitaria)	9,8 pies (3 m)
Distancia máxima admisible entre el depósito de agua caliente sanitaria y la unidad (sólo para instalaciones con depósito de agua caliente sanitaria). El cable del termistor suministrado con el depósito de agua caliente sanitaria es de 12 m de longitud.	32,8 pies (10 m)

(a) Cuando se llegue a <16,4 pies (<5 m), es necesario recargar la unidad exterior. Consulte el manual de instalación de la unidad exterior.

- Durante el funcionamiento normal, la caja hidráulica emitirá sonidos que podrían considerarse ruidos. El origen de estos sonidos puede ser el funcionamiento de la bomba de agua y/o la activación del contactor. Por lo tanto, se recomienda instalar la caja hidráulica en una pared firme y lejos de entornos donde los sonidos puedan molestar (por ejemplo, el dormitorio).
- No instale una unidad en lugares con alta humedad (por ejemplo, el cuarto de baño).
- Seleccione el diámetro de las tuberías en relación con el flujo de agua requerido y la presión estática externa (EPS) de la bomba.
- El equipo no está previsto para su uso en atmósferas potencialmente explosivas.
- No instale la unidad en lugares que se utilicen para trabajar. En caso de trabajos de construcción (por ejemplo, trabajos de rectificado, donde se genera mucho polvo, cubra la unidad).
- Procure que en caso de fuga el agua no pueda causar daños al espacio de instalación y a todo lo que le rodea.
- No coloque ningún objeto ni equipo en la parte superior de la unidad.
- Asegúrese de tomar las precauciones suficientes, conforme a las leyes locales y nacionales, en caso de fuga de refrigerante.



PRECAUCIÓN

Si la instalación viene equipada con un depósito de agua caliente sanitaria (opcional) consulte el manual de instalación del depósito de agua caliente sanitaria.

CÓMO INSTALAR LA UNIDAD INTERIOR

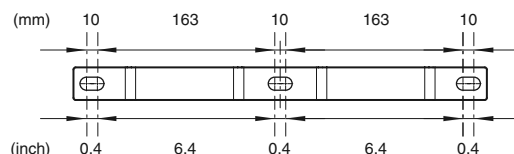
Selección del lugar de instalación

La unidad deberá montarse sobre pared, en interiores, cumpliendo los siguientes requisitos:

- Lugar de instalación libre de escarcha
- El espacio alrededor de la unidad es adecuado para las reparaciones. (Consulte figura 2).
- El espacio que rodea la unidad permitirá una suficiente circulación de aire
- Hay una bandeja de drenaje que recoge el agua de condensación (sólo en modelos EKHBX con kit de bandeja de drenaje EKHBDP) y una válvula de alivio de presión.
- La superficie de instalación es una pared plana, vertical y no combustible capaz de soportar el peso de la unidad en funcionamiento (consulte el apartado "Especificaciones técnicas" en la página 45).
- No debe haber peligro de incendio debido a fugas de gas inflamable.
- Deberá tener en cuenta las longitudes de tubo y distancias especificadas.

Dimensiones y espacio para mantenimiento

Dimensiones del soporte de pared



Unidad de medida: pulgadas (mm)

Para ver las dimensiones de la unidad, consulte la figura 3

1	Manguera flexible de purga	5	Conexión del gas refrigerante
2	Conexión para la salida del agua	FBSP	Female British Standard Pipe (tubo hembra BS)
3	Conexión para la entrada del agua	MBSP	Male British Standard Pipe (tubo macho BS)
4	Conexión del líquido refrigerante		

Para ver el espacio requerido para el mantenimiento consulte la figura 2

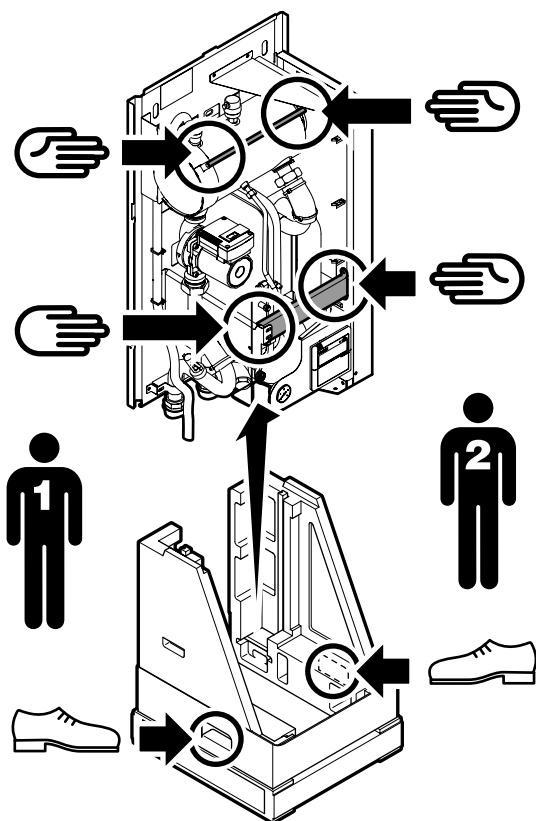
Inspección, manipulación y desembalaje de la unidad

- La unidad interior está embalada en una caja de cartón fijada mediante flejes a un palet de madera.
- Se debe comprobar la unidad en el momento de su entrega e informar inmediatamente sobre cualquier daño al agente de reclamaciones y al transportista.
- Compruebe todos los accesorios se adjuntan con la unidad interior (consulte "Accesorios" en la página 2).
- Para evitar daños durante el transporte, traslade la unidad lo más cerca posible de su lugar de instalación en el embalaje original.
- La unidad interior pesa aprox. 123 lbs (55 kg) y deberá ser levantada entre dos personas utilizando las dos barras de elevación acopladas a la unidad.



PRECAUCIÓN

No agarre la caja de interruptores ni la tubería para levantar la unidad. La unidad está equipada con dos barras de elevación para levantarla.



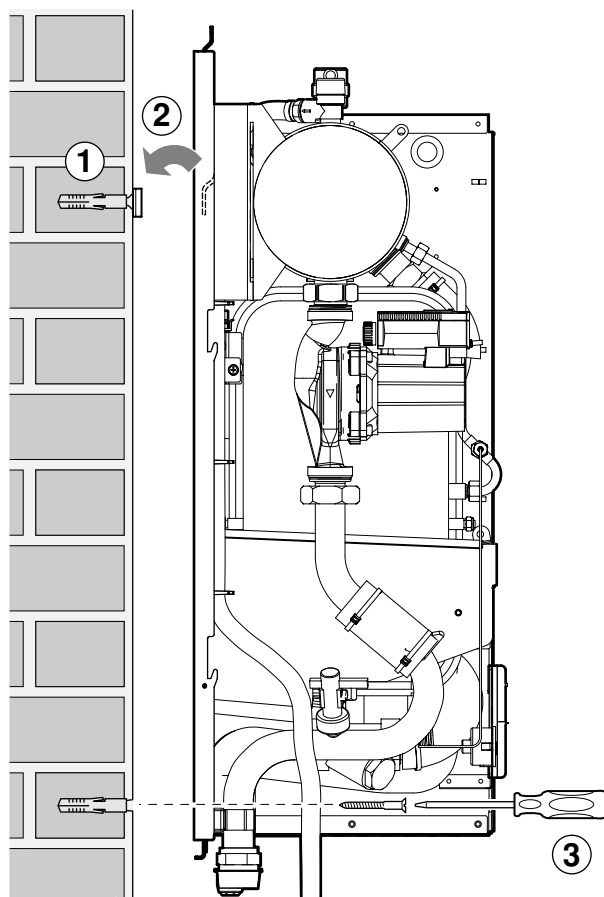
Montaje de la unidad interior



PRECAUCIÓN

El peso de la unidad interior es de aprox. 123 lbs (55 kg). Son necesarias dos personas para instalar la unidad.

- 1 Fije el soporte de montaje sobre pared a la pared mediante los conectores y tornillos adecuados.
Asegúrese de que el soporte de montaje de pared está completamente nivelado. Si la unidad no está instalada correctamente nivelada, puede quedar aire atrapado en el circuito de agua y ello puede tener como consecuencia fallos en el funcionamiento de la unidad.
Preste especial atención a esto cuando instale un modelo EKHBX para evitar el rebose de la bandeja de drenaje.
- 2 Cuelgue la unidad interior al soporte de montaje de pared.
- 3 Fije la unidad interior al lado inferior mediante los conectores y tornillos adecuados. Para ello, la unidad está equipada con 2 orificios en los bordes inferiores exteriores del bastidor.



Instalación de la bandeja de drenaje EKHBDP (sólo para modelos EKHBX)

En los modelos de calefacción/refrigeración es necesario instalar la bandeja de drenaje (consulte el apartado "Accesorios" en la página 2).

Durante el funcionamiento de la unidad en modo refrigeración el vapor de agua (humedad) en el aire podría convertirse en líquido y acumularse en las tuberías de agua y refrigerante frío. Este agua se recoge en la bandeja de drenaje, la cual debe estar conectada al drenaje.

Para la instalación del kit consulte el manual de instalación adjunto.



PRECAUCIÓN

Coloque el extremo de la manguera de la válvula de alivio de presión en la bandeja de drenaje. Si no lo hace así, el agua podría entrar en contacto con partes eléctricas y producir descargas eléctricas o cortocircuito de la instalación eléctrica.

Tubería de refrigerante

Para obtener información acerca de todas las directrices, instrucciones y especificaciones en relación a la tubería del refrigerante entre la unidad interior y la unidad exterior consulte el manual de instalación de la unidad exterior.

La ubicación de la tubería de gas y de la tubería de líquido de la unidad interior se muestra en el apartado "Componentes principales" en la página 11.

Especificaciones de la tubería de refrigerante	Unidad interior	Unidad exterior
Conexión de la tubería de gas	5/8 pulgadas (15,9 mm)	5/8 pulgadas (15,9 mm)
Conexión de la tubería de líquido	3/8 pulgadas (9,5 mm)	3/8 pulgadas (9,5 mm)



Utilice siempre dos llaves para apretar o aflojar las uniones que conectan los tubos de refrigerante. De lo contrario podrían derivarse daños a los componentes de la unidad o producirse fugas.

Tubería de agua

Verificación del circuito de agua

Las unidades están equipadas con una entrada y una salida de agua que se conectan al circuito de agua. Este circuito debe ser instalado por un técnico autorizado y debe cumplir con todas las leyes y disposiciones locales pertinentes.

NOTA



Esta unidad sólo se debe utilizar en circuitos de agua cerrados. La aplicación en un circuito de agua abierto puede llevar a una corrosión excesiva de las conducciones de agua.

NOTA



Antes de continuar la instalación de la unidad, verifique los puntos siguientes:

- Presión de agua máxima = 43,5 psi (3 bares) + presión estática de la bomba.
- La máxima temperatura del agua es 149°F (65°C) (ajuste del dispositivo de seguridad).
- Dos válvulas de cierre se suministran con la unidad. Para facilitar las tareas de conservación y mantenimiento de la unidad instale una válvula en la entrada del agua y otra en la salida del agua de la unidad interior. Tenga presente la posición de las válvulas de cierre. El posicionamiento de las válvulas de drenaje y de llenado integradas es importante con fines de mantenimiento. Consulte la figura 3.
- Se debe instalar tomas para drenaje en todos los puntos bajos del sistema para permitir el drenaje completo del circuito durante el mantenimiento. Hay dos válvulas de drenaje integradas en las válvulas de cierre para drenar el agua de la unidad interior.
- Asegúrese de realizar el drenaje correctamente en la válvula de alivio de presión, ya que el agua podría entrar en contacto con partes eléctricas.
- Se deben proporcionar válvulas de aireación para salida de aire en todos los puntos altos del sistema. Las salidas de aire deben colocarse en puntos fácilmente accesibles para el mantenimiento. Hay una válvula de purga de aire automática en el interior de la unidad interior. Asegúrese de que esta válvula de purga de aire no está demasiado apretada de forma que sea posible eliminar automáticamente el aire del circuito de agua.
- Procure que los componentes instalados en la tubería de obra puedan soportar la presión y la temperatura del agua.
- Utilice siempre materiales que sean compatibles con el agua utilizada en el sistema y con los materiales utilizados en la unidad interior.
- Seleccione el diámetro de las tuberías en relación con el flujo de agua requerido y la presión estática externa (EPS) de la bomba.
- El caudal de agua mínimo requerido para el funcionamiento de la unidad interior es de 4,23 galones/min (16 l/min). Cuando el caudal de agua sea inferior a este valor mínimo, se mostrará el error de caudal \mathcal{H} y el funcionamiento de la unidad interior se detendrá.

Comprobación del volumen de agua y de la presión de carga inicial del depósito de expansión

La unidad está equipada con un recipiente de expansión de 2,6 galones (10 litros) con una presión de carga inicial preajustada de 14,5 psi (1 bar).

Para asegurar el buen funcionamiento de la unidad podría ser necesario ajustar la presión de carga inicial del depósito de expansión y se deberá comprobar el volumen máximo y mínimo del agua.

- 1 Asegúrese de que caudal de agua total en la instalación, excluyendo el caudal de agua interno de la unidad interior sea de 5,3 galones (20 l) como mínimo. Consulte el apartado "Especificaciones técnicas" en la página 45 para conocer el caudal de agua interno de la unidad interior.



En la mayoría de los equipos, el volumen total de agua alcanzará unos resultados satisfactorios.

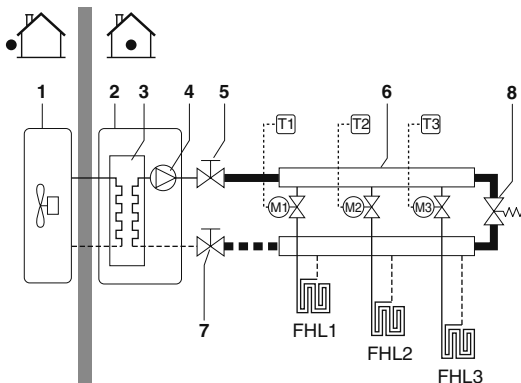
No obstante, en procesos críticos o en habitaciones con una elevada carga calorífica podría necesitarse un volumen de agua adicional.

NOTA



Cuando la circulación en cada circuito cerrado de calefacción de habitaciones es controlada mediante válvulas de control remoto es importante mantener este caudal mínimo de agua, incluso si las válvulas están cerradas.

Ejemplo



- | | | | |
|---|-------------------------------------|---------|--|
| 1 | Unidad exterior | 8 | Válvula de by-pass (suministro independiente) |
| 2 | Unidad interior | FHL1..3 | Circuito cerrado de calefacción radiante en suelos (suministro independiente) |
| 3 | Intercambiador de calor | T1..3 | Termosto de habitación individual (opcional) |
| 4 | Bomba | M1..3 | Válvula motorizada individual para controlar el circuito FHL1 (suministro independiente) |
| 5 | Válvula de cierre | | |
| 6 | Colector (suministro independiente) | | |
| 7 | Válvula de cierre | | |

- 2 A través de la siguiente tabla, compruebe si es necesario ajustar la presión de carga inicial del depósito de expansión.
- 3 Mediante la siguiente tabla y las instrucciones que aparecen a continuación compruebe si el volumen total de agua en la instalación está por debajo del volumen de agua máximo admisible.

Diferencia de altura de instalación (a)	Volumen de agua	
	≤74 galones (280 l)	>74 galones (280 l)
≤23 pies (≤7 m)	No se requiere ajuste de presión de carga inicial.	Acciones requeridas: <ul style="list-style-type: none"> • se debe reducir la presión de carga inicial; calcule la presión de carga inicial requerida conforme a las instrucciones del apartado "Cálculo de la presión de carga inicial del recipiente de expansión" • compruebe si el volumen de agua es inferior al volumen máximo admisible (utilice el siguiente gráfico)
>23 pies (>7 m)	Acciones requeridas: <ul style="list-style-type: none"> • se debe aumentar la presión de carga inicial; calcule la presión de carga inicial requerida conforme a las instrucciones del apartado "Cálculo de la presión de carga inicial del recipiente de expansión" • compruebe si el volumen de agua es inferior al volumen máximo admisible (utilice el siguiente gráfico) 	El depósito de expansión de la unidad es demasiado pequeño para la instalación.

(a) Diferencia de altura de instalación: Diferencia de altura (ft)(m) entre el punto más alto del circuito de agua y la unidad. Si la unidad está situada en el punto más alto de la instalación se considera que la altura de la instalación es de 0 ft (0 m).

Cálculo de la presión de carga inicial del recipiente de expansión

La presión de carga inicial (Pg) a ajustar depende de la diferencia de instalación máxima (H) y se calcula como se muestra a continuación:

$$Pg(\text{psi}) = (H(\text{pies})/32 + 0,3) \times 14,5 \text{ psi}$$

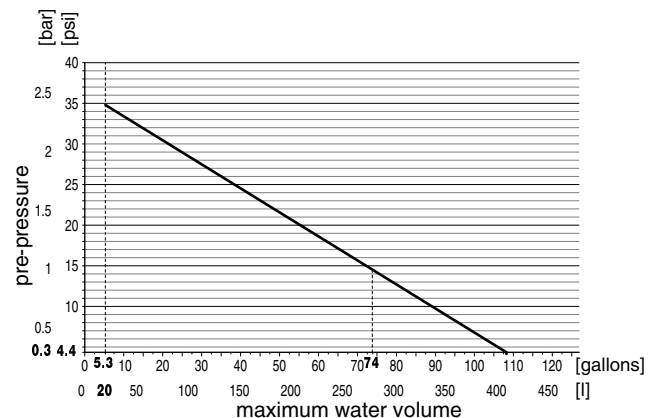
$$Pg(\text{bar}) = (H(\text{m})/10 + 0,3) \text{ bares}$$

Comprobación del volumen de agua máximo admisible

Para obtener el volumen de agua máximo admisible en todo el circuito proceda del siguiente modo:

- 1 Calcule el volumen de agua máximo para la presión de carga inicial (Pg) obtenida, utilizando el siguiente gráfico.
- 2 Compruebe si el volumen total de agua en todo el circuito de agua es inferior a este valor.

Si no es así, esto significa que el depósito de expansión del interior de la unidad es demasiado pequeño para la instalación.



pre-pressure = presión de carga inicial
maximum water volume = volumen máximo de agua

Ejemplo 1

La unidad está instalada a 16,4 pies (5 m) por debajo del punto más alto del circuito de agua. El volumen total de agua en el circuito de agua es de 26,4 galones (100 l).

En este ejemplo no se requiere realizar ninguna acción o ajuste.

Ejemplo 2

La unidad está instalada en el punto más alto del circuito de agua. El volumen total de agua en el circuito de agua es de 92,5 galones (350 l).

Resultado:

- Como 92,5 galones (350 l) es un volumen superior a 74,0 galones (280 l), deberá reducirse la presión de carga inicial (consulte la tabla de arriba).
- La presión de carga inicial requerida es de:
 $Pg_{(psi)} = (H_{(pies)}/32+0,3) \times 14,5 \text{ psi} = (0/32+0,3) \times 14,5 \text{ psi} = 4,4 \text{ psi}$
 $Pg_{(bar)} = (H_{(m)}/10+0,3) \text{ bar} = (0/10+0,3) \text{ bares} = 0,3 \text{ bares}$
- El volumen de agua máximo correspondiente puede observarse en la gráfica: aprox. 108,0 galones (410 l).
- Como el volumen total de agua (92,5 galones (350 l)) es inferior al volumen de agua máximo (108,0 galones (410 l)), el recipiente de expansión es suficiente para la instalación.

Ajuste de la presión de carga inicial del recipiente de expansión

Si es necesario cambiar la presión de carga inicial preajustada del recipiente de expansión (14,5 psi (1 bar)), tenga presente las siguientes directrices:

- Utilice sólo nitrógeno seco para ajustar la presión de carga inicial del depósito de expansión.
- Si el depósito de expansión no se ajusta adecuadamente, la presión de carga inicial causará un fallo de funcionamiento del sistema. Por lo tanto, la presión de carga inicial sólo deberá ser ajustada por un instalador autorizado.

Conexión del circuito de agua

Las conexiones de agua se deben hacer de acuerdo con las leyes y disposiciones locales y el diagrama general que se entrega con la unidad, respetando la entrada y salida de agua.

NOTA



Procure no deformar las tuberías de la unidad al emplear excesiva fuerza durante la conexión de los tubos. La deformación de los tubos puede causar que la unidad no funcione adecuadamente.

La entrada de aire, humedad o polvo en el circuito de agua puede ocasionar problemas. Por lo tanto, tenga siempre en cuenta lo siguiente cuando conecte el circuito de agua:

- Utilice solamente tubos limpios.
- Mantenga el extremo del tubo hacia abajo cuando quite las rebabas.
- Cubra el extremo del tubo cuando lo inserte a través de la pared para que no entren el polvo y la suciedad.
- Utilice un buen producto sellante para sellar las conexiones. El sellado deberá ser capaz de soportar las presiones y temperaturas del sistema.
- Si las tuberías instaladas no son de latón asegúrese de aislar los dos materiales entre sí para evitar la corrosión galvánica.
- Como el latón es un material dúctil, utilice una herramienta adecuada para conectar el circuito de agua. Una herramienta inadecuada causaría daños en las tuberías.

NOTA



- Esta unidad sólo se debe utilizar en circuitos de agua cerrados. La aplicación en un circuito de agua abierto puede llevar a una corrosión excesiva de las conducciones de agua.
- No utilice nunca componentes revestidos de Zn en el circuito de agua. Estas partes pueden sufrir una corrosión excesiva debido al uso de tuberías de cobre en el circuito interno de agua de la unidad.
- Cuando se utiliza una válvula de 3 vías en el circuito de agua.
Es muy importante garantizar la completa separación entre el circuito de agua caliente sanitaria y el de calefacción de suelo radiante.
- Cuando utilice una válvula de 3 vías o una válvula de 2 vías en el circuito de agua, el tiempo de cambio máximo de la válvula deberá ser inferior a 60 segundos.

Carga de agua

- 1 Conecte el suministro de agua a la válvula de drenaje y la válvula de llenado (véase "Componentes principales" en la página 11).
- 2 Asegúrese de que la válvula automática de purga de aire está abierta (al menos 2 vueltas).
- 3 Llene agua hasta que el manómetro indique una presión de 29 psi (2,0 bares) aproximadamente. Purgue la máxima cantidad de aire del circuito mediante las válvulas de purga de aire. El aire en el interior del circuito de agua podría provocar fallos de funcionamiento del calefactor auxiliar.
- 4 Asegúrese de que el recipiente del calefactor auxiliar está lleno de agua abriendo la válvula de alivio de presión. Debe salir agua de la válvula.

NOTA



- Durante el llenado podría no ser posible eliminar todo el aire del sistema. El aire residual se eliminará a través de las válvulas de purga automática de aire durante las primeras horas de funcionamiento del sistema. Es posible que sea necesario rellenar agua posteriormente.
- La presión del agua indicada en el manómetro variará en función de la temperatura del agua (mayor presión cuanto mayor sea la temperatura del agua).
No obstante, la presión del agua deberá permanecer siempre por encima de 4,3 psi (0,3 bares) para evitar que el aire penetre en el circuito.
- La unidad podría eliminar algo del agua sobrante a través de la válvula de alivio de presión.
- La calidad del agua debe cumplir los requisitos de la "Safe Drinking water Act (42 U.S.C. 300f)" (Reglamento Nacional Primario de Agua Potable).

Aislamiento de tuberías

Se debe aislar el circuito de agua completo, incluyendo todos los tubos, para evitar la condensación durante el funcionamiento en modo refrigeración y la reducción de la capacidad de refrigeración y calefacción.

Si la temperatura asciende por encima de los 86°F (30°C) y la humedad supera 80% de humedad relativa, el espesor del material sellante deberá ser de al menos 0,79 pulgadas (20 mm) para evitar que se forme condensación sobre la superficie de sellado.

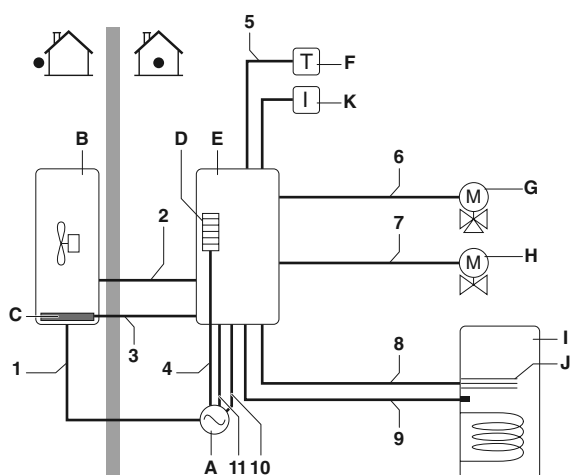


ADVERTENCIA

- En el cableado fijo deberá incorporarse, según las leyes y disposiciones locales y nacionales pertinentes, un interruptor principal u otro medio de desconexión que tenga una separación constante en todos los polos.
- Corte la alimentación antes de realizar ninguna conexión.
- Utilice sólo cables de cobre.
- Nunca estruje el mazo de cables y asegúrese de que no entra en contacto con las tuberías ni con bordes afilados.
- Asegúrese de que no se aplica presión externa a las conexiones de los terminales.
- Todo el cableado en obra y los componentes deben ser instalados por un electricista autorizado y deben cumplir con las leyes y disposiciones locales y nacionales pertinentes.
- El cableado de obra debe realizarse según el diagrama de cableado suministrado con la unidad y las instrucciones proporcionadas a continuación.
- Asegúrese de utilizar un circuito propio de alimentación eléctrica. Nunca utilice una fuente de energía eléctrica compartida con otro aparato.
- Asegúrese de realizar una conexión a tierra. No conecte la unidad a una tubería de uso general, a un captador de sobretensiones o a líneas de tierra de teléfonos. Si la conexión a tierra no se ha realizado correctamente, pueden producirse descargas eléctricas.
- Asegúrese de utilizar un disyuntor de fugas (30 mA) a tierra de acuerdo con las regulaciones locales y nacionales aplicables. Si no obedece estas indicaciones podría sufrir una electrocución o se podría producir un incendio.
- Asegúrese de instalar los fusibles o disyuntores que sean necesarios.

Vista general

La siguiente ilustración muestra el cableado de campo requerido entre varios componentes de la instalación. Consulte también "Ejemplos de aplicación típica" en la página 4.



- | | | | |
|----------|---|----------|--|
| A | Alimentación independiente para la unidad exterior, el calefactor auxiliar y la resistencia eléctrica | G | Válvula de 3 vías para el depósito de agua caliente sanitaria (opcional) |
| B | Unidad exterior | H | Válvula de 2 vías para el modo refrigeración (suministro independiente) |
| C | Calefactor de placas inferior EKBPH ^(a) | I | Depósito de agua caliente sanitaria (opcional) |
| D | Calefactor auxiliar | J | Resistencia eléctrica (opcional) |
| E | Unidad interior | K | Interfaz de usuario (controlador digital) |
| F | Termostato de habitación (opcional) | | |

(a) El calefactor de placas inferior sólo es aplicable con la unidad ERLQ o en caso de utilizar un kit opcional EKBPH.

Modelo	Descripción	Número de conductores requerido	Corriente máxima de funcionamiento
1	Cable de alimentación para la unidad exterior	2+GND	(a)
2	Alimentación de la unidad interior y cable de comunicaciones	3+GND	(b)
3	Cable de alimentación para el calefactor de placas inferior	2	(c)
4	Cable de alimentación del calefactor auxiliar	2+GND o 3+GND	(d)
5	Cable del termostato de la habitación	3 ó 4	100 mA ^(e)
6	Cable de control de la válvula de 3 vías	2+GND	100 mA ^(e)
7	Cable de control de la válvula de 2 vías	2+GND	100 mA ^(e)
8	Alimentación de la resistencia eléctrica y el cable de protección térmica	4+GND	(b)
9	Cable del termistor	2	(f)
10	Cable de alimentación de la resistencia eléctrica	2+GND	13 A
11	Cable de suministro de alimentación a tarifa reducida (contacto desenergizado)	2	(g)
12	Cable de la interfaz del usuario	2	(h)

- (a) Consulte la placa de especificaciones técnicas de la unidad exterior.
- (b) Sección de cable AWG13 (2,5 mm²)
- (c) Sección de cable mínima AWG18 (0,75 mm²)
- (d) Consulte la tabla del apartado "Conexión de la alimentación del calefactor auxiliar" en la página 20.
- (e) Sección de cable mínima AWG18 (0,75 mm²)
- (f) El termistor y cable de conexión (39,4 pies)(12 m) se suministran con el depósito de agua caliente sanitaria.
- (g) Sección del cable de AWG18 hasta AWG16 (0,75~1,25 mm²), longitud máxima: 164 pies (50 m). Un contacto sin tensión debe asegurar la carga mínima aplicable de 15 V de CC, 10 mA
- (h) Sección del cable de AWG18 hasta AWG16 (0,75~1,25 mm²), longitud máxima: 1640 pies (500 m).



PRECAUCIÓN

Seleccione los tamaños de los cables en función de las leyes y disposiciones locales y nacionales pertinentes.



ADVERTENCIA

Después de terminar los trabajos eléctricos, confirme que cada pieza eléctrica y cada terminal dentro de la caja eléctrica está conectado fijamente.

Cableado interno - Tabla de componentes

Consulte el diagrama de cableado interior suministrado con la unidad (al dorso de la tapa de la caja de interruptores de la unidad interior). Las abreviaturas utilizadas se relacionan a continuación:

A1P	PCB principal
A2P	PCB de controlador digital (interfaz de usuario)
A3P	* Termostato (EKRTWA) (PC= circuito de alimentación interno) (opcional)
A4P	* PCB de E/S digital (EKRP1HB) (opcional)
E1H	Elemento del calefactor auxiliar 1
E2H	Elemento del calefactor auxiliar 2
E4H	# Resistencia eléctrica (3 kW)
F1B, F3B	Fusible del calefactor auxiliar
F2B.....	# Fusible de la resistencia eléctrica
F1T.....	Calefactor auxiliar con fusible térmico (250 V, 201,2°F (94°C))
FU1	Fusible 3,15 A T 250 V para PCB
FU2	Fusible 5 A T 250 V
FU3	Fusible 1 A T 250 V
FuR,FuS.....	Fusible 5 A 250 V para PCB de E/S digital
K1A~K4A.....	Relés para válvulas y termostato
K5A~K7A.....	Relés para el kit de PCB de E/S digital
K1M.....	Contactador del calefactor auxiliar, paso 1
K2M.....	Contactador del calefactor auxiliar, paso 2
K3M.....	# Contactador de la resistencia eléctrica
K4M.....	Relé de la bomba
K5M,K6M	Contactador para la desconexión omnipolar del calefactor auxiliar
M1P.....	Bomba
M2S.....	## Válvula de 2 vías para el modo refrigeración (suministro independiente)
M3S.....	# Válvula de 3 vías: para calefacción por suelo radiante/depósito de agua caliente sanitaria
PHC1.....	Circuito de entrada del optoacoplador
Q1DI.....	Interruptor automático de fugas de tierra (suministro independiente)
Q1L	Protección térmica del calefactor auxiliar
Q2L,Q3L..#	Protección térmica de la resistencia eléctrica
R1T	* Sensor ambiente (EKRTWA) (opcional)
R1T	Termistor del intercambiador de calor del agua de salida
R2T	Termistor del calefactor auxiliar del agua de salida
R3T	Termistor del lado de líquido refrigerante
R4T	Termistor de agua de entrada
R5T	# Termistor de agua caliente sanitaria
S1L.....	Interruptor de flujo
S1S	Relé de estación de bomba solar
S2S	Contacto de suministro eléctrico a tarifa reducida
S3S	Contacto del punto de referencia doble 2
S4S	Contacto del punto de referencia doble 1
SS1	Interruptor DIP
TR1,TR2.....	Transformador 24 V para PCB, relés y válvulas
V1S	Supresor de chispas 1
V2S	Supresor de chispas 2
X1M~X9M	Bloques de terminales

- * Opcional
- # Sólo aplicaciones con depósito de agua caliente sanitaria
- ## Instalaciones de sólo calefacción/refrigeración

Instrucciones acerca del cableado de obra

- La mayor parte del cableado de obra de la unidad interior debe realizarse en el bloque de terminales del interior de la caja de conexiones. Para acceder al bloque de terminales extraiga la tapa de la unidad interior y el panel de mantenimiento de la caja de conexiones; consulte al respecto el apartado "Cómo abrir la unidad interior" en la página 10.



ADVERTENCIA

Corte la alimentación, la alimentación de la unidad exterior y el calefactor auxiliar y, si procede, la alimentación del depósito de agua sanitaria), antes de extraer el panel de servicio de la caja de interruptores.

- Los sujetacables se encuentran en la parte inferior de la caja de conexiones. Fije todos los cables mediante sujetacables (suministro independiente).
- Es necesario utilizar un circuito de alimentación independiente para el calefactor auxiliar.
- Las instalaciones equipadas con depósito de agua caliente sanitaria (opcional) necesitan un circuito de alimentación independiente para la **resistencia eléctrica**.
Consulte el manual de instalación del depósito de agua caliente sanitaria.

Conexión del cable de alimentación y del cable de comunicaciones para la unidad interior

Requisitos del circuito y del cableado de alimentación

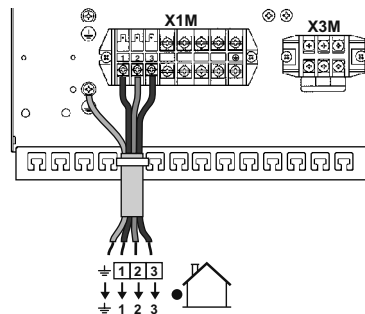
El cable de alimentación para la unidad interior viene de la unidad exterior. La comunicación de datos a la unidad exterior tiene lugar a través del mismo cable.

Para obtener información acerca de todas las directrices y especificaciones en relación al cableado de campo entre la unidad interior y la unidad exterior consulte el manual de instalación de la unidad exterior.

Procedimiento

- 1 Tomando el cable adecuado conecte el circuito de alimentación a los terminales correspondientes tal y como se indica en el diagrama de cableado y en la siguiente ilustración.
- 2 Conecte el conductor de tierra (amarillo/verde) al tornillo de tierra en la placa de montaje de la caja de conexiones.
- 3 Fije el cable mediante los sujetacables a sus dispositivos de sujeción para garantizar el alivio de tracción.
- 4 Cuando instale los cables, asegúrese de que éstos no obstaculicen el montaje de la tapa de la unidad interior, consulte la figura 3.

Nota: sólo se muestra el cableado de obra relevante.



Conexión de la alimentación del calefactor auxiliar

Requisitos del circuito de alimentación y del cableado



Utilice un circuito de alimentación dedicado para el calentador auxiliar y la resistencia eléctrica. Nunca utilice un circuito de alimentación compartido con otro aparato.

Este circuito de alimentación deberá estar protegido mediante los dispositivos de seguridad requeridos de conformidad con las leyes y disposiciones locales vigentes.

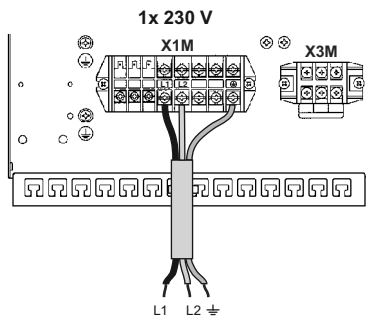
Seleccione un cable de alimentación eléctrica que cumpla con las leyes y disposiciones locales pertinentes. Para saber cuál es la corriente de funcionamiento máxima para el calefactor auxiliar consulte la siguiente tabla.

Modelo de unidad interior	Capacidad del calefactor auxiliar	Tensión nominal del calefactor auxiliar	Amperaje mínimo del circuito	Protección contra sobrecorriente máxima
EKHB*054BA3V3	3 kW	1x 230 V	14,3 A	20 A
EKHB*054BA6V3	6 kW	1x 230 V	28,6 A	30 A

Procedimiento

- Tomando el cable adecuado conecte el circuito de alimentación al interruptor automático o disyuntor principal tal y como se indica en el diagrama de cableado y en la siguiente ilustración.
- Conecte el conductor de tierra (amarillo/verde) al tornillo de tierra del terminal X1M.
- Fije el cable mediante los sujetacables a sus dispositivos de sujeción para garantizar el alivio de tracción.

Nota: sólo se muestra el cableado de obra relevante.



Conexión del cable del termostato

La conexión del cable del termostato depende de la instalación.

Consulte también "Ejemplos de aplicación típica" en la página 4 y "Configuración de la instalación del termostato de la habitación" en la página 24 para obtener más información y ver más opciones de configuración para que la bomba funcione en combinación con un termostato de habitación.

Requisitos del termostato

- Alimentación eléctrica: con baterías
- Tensión de contacto: 24 V.

Procedimiento

- Conecte el cable del termostato a los terminales apropiados tal y como se muestra en el diagrama de cableado y el manual de instalación del kit de termostato para habitación.
- Fije el cable mediante los sujetacables a sus dispositivos de sujeción para garantizar el alivio de tracción.
- Ajuste el interruptor DIP SS2-3 de la tarjeta de circuito impreso (PCB) en ON. Consulte "Configuración de la instalación del termostato de la habitación" en la página 24 para obtener más información.

Conexión de los contactos del primer punto de referencia y del segundo punto de referencia

La conexión del contacto del punto de referencia sólo es importante en caso de que el punto de referencia doble esté habilitado.

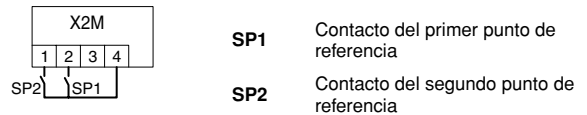
Consulte también "Ejemplos de aplicación típica" en la página 4 y "Control del punto de referencia doble" en la página 32.

Requisitos del contacto

Este contacto deberá ser un contacto sin tensión que garantice 24 V (100 mA).

Procedimiento

- Conecte el contacto del primer punto de referencia y del segundo punto de referencia a los terminales adecuados tal y como se muestra en la siguiente figura



- Fije los cables mediante los sujetacables a sus dispositivos de sujeción para garantizar el alivio de tracción.
- Dependiendo del funcionamiento de bomba necesario, ajuste el interruptor DIP SS2-3 y el ajuste de campo [F-00]. Consulte "Configuración de funcionamiento de la bomba" en la página 24 y el ajuste de campo [F-00] en "[F] Configuración de opciones" en la página 36.

Conexión de los cables de control de la válvula

Requisitos de la válvula

- Alimentación eléctrica: 24 V CA
- Corriente máxima de funcionamiento: 100 mA

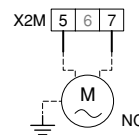
Cableado de la válvula de 2 vías

- Utilizando el cable adecuado conecte el cable de control de la válvula al terminal X2M, tal y como se indica en el diagrama de cableado.

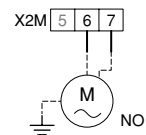


NOTA El cableado es diferente para una válvula normalmente cerrada que para una válvula normalmente abierta. Asegúrese de conectar a los números correctos de terminal tal y como aparece especificado en el diagrama de cableado y las ilustraciones que aparecen a continuación.

Válvula de 2 vías normalmente cerrada (NC)



Válvula de 2 vías normalmente abierta (NO)



- Fije el cable o los cables mediante los sujetacables a sus dispositivos de sujeción para garantizar el alivio de tracción.

Cableado de la válvula de 3 vías

- 1 Utilizando el cable adecuado conecte el cable de control de la válvula a los terminales adecuados, tal y como se indica en el diagrama de cableado.

NOTA

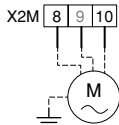


Tipo de válvula de 3 vías para conectar. (Se suministra con el depósito de agua caliente sanitaria opcional)

- Válvula de 3 vías con "3 conductores y contacto unipolar de una vía".

La válvula de 3 vías debería estar instalada de forma que cuando las conexiones de terminal 9 y 10 estén energizadas, se seleccione el circuito de caldeo de agua caliente sanitaria.

Válvula "de 3 conductores y contacto unipolar de una vía"



- 2 Fije el cable o los cables mediante los sujetacables a sus dispositivos de sujeción para garantizar el alivio de tracción.

Selección de tensión de alimentación para el transformador TR2

Esta selección es necesaria para garantizar una entrada estable de 24 V CA.

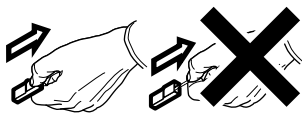
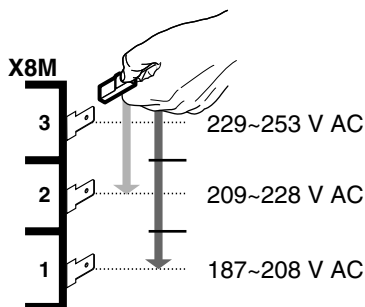
Procedimiento



PELIGRO

Desconecte todos los suministros eléctricos pertinentes (unidad exterior, calefactor auxiliar, resistencia eléctrica) antes de cambiar el conector.

- 1 Mida la tensión de alimentación principal.
- 2 Vuelva a conectar el cable en función del resultado de la medición.



Conexión a una fuente de alimentación de tarifa reducida

Las compañías eléctricas de todo el mundo trabajan con empeño para proporcionar un servicio fiable a precios competitivos y, con frecuencia, son autorizados a facturar a sus clientes a tarifas reducidas. Por ejemplo, tarifas por tiempo de uso, tarifas estacionales, tarifas de bomba de calor en Alemania y Austria, etc.

Este equipo permite una conexión a este tipo de conexiones a tarifa reducida.

Consulte con su compañía eléctrica para saber si puede conectar el equipo a una conexión de suministro a tarifa reducida.

Si el equipo se conecta a esta conexión de suministro a tarifa reducida, la compañía eléctrica podrá:

- interrumpir el suministro al equipo durante determinados períodos de tiempo;
- exigir que el equipo sólo consuma una cantidad de energía eléctrica limitada durante determinados períodos de tiempo.

La unidad interior ha sido diseñada para recibir una señal de entrada que la unidad conmuta al modo de apagado forzado. Durante ese intervalo de tiempo, el compresor de la unidad exterior no funcionará.



PRECAUCIÓN

Para obtener suministro de alimentación a tarifa reducida como el que se ilustra a continuación como tipo 1

- Si el suministro eléctrico a tarifa reducida es del tipo en que el suministro eléctrico es ininterrumpido es posible controlar los calefactores.

Para obtener información sobre las diferentes posibilidades de controlar calefactores en períodos de tiempo en los que la tarifa reducida está activada, consulte el apartado "[D] Suministro eléctrico a tarifa reducida/Valor de desviación local dependiente de las condiciones climáticas" en la página 35.

Si es necesario controlar los calefactores en los intervalos de tiempo en los que el suministro eléctrico a tarifa reducida está desconectado, éstos calefactores deberán conectarse a una fuente de alimentación separada.

- Durante el período en el que la tarifa reducida está activada y el suministro eléctrico es continuo, es posible el consumo de potencia en standby (PCB, controlador, bomba, etc.).

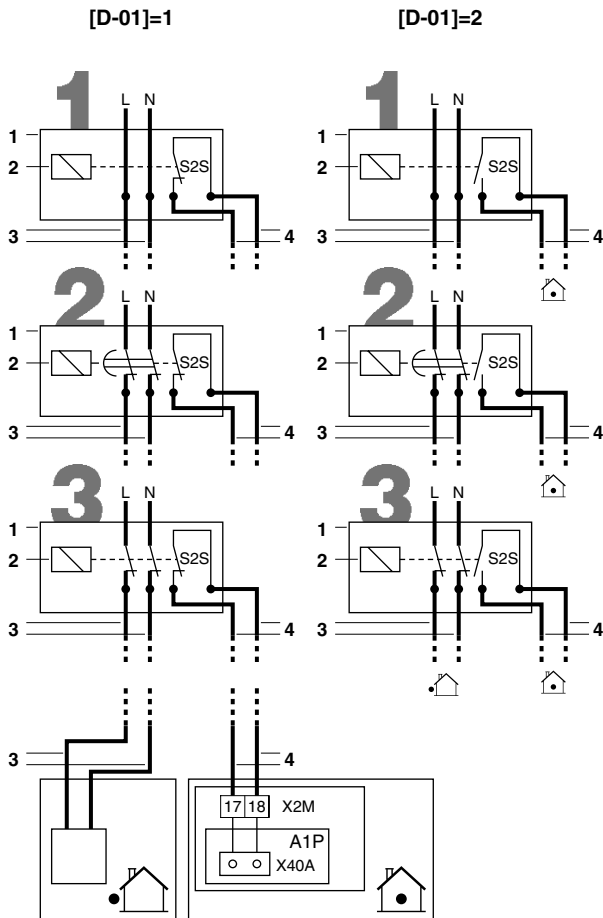
Para obtener suministro de alimentación a tarifa reducida como el que se ilustra a continuación en los tipos 2 ó 3

Si durante la tarifa reducida se produce un corte de suministro eléctrico no podrán controlarse los calefactores.

- Este corte de suministro no debe ser superior a 2 horas de duración o de lo contrario se reseteará el reloj de tiempo real.
- Durante el corte de suministro la pantalla del controlador se mostrará en blanco.

Posibles tipos de suministro a tarifa reducida

Las posibles conexiones y requisitos para conectar el equipo a esta conexión de suministro eléctrico se muestran en la siguiente ilustración:



- 1 Caja de suministro eléctrico a tarifa reducida
- 2 Receptor que controla la señal de la compañía eléctrica
- 3 Suministro de alimentación a la unidad exterior (consulte el manual de instalación que se suministra con la unidad exterior)
- 4 Contacto desenergizado a la unidad interior

Cuando la unidad exterior está conectada a una conexión de suministro a tarifa reducida, el contacto desenergizado del receptor que controla la señal a tarifa reducida de la compañía eléctrica debe conectarse a las abrazaderas 17 y 18 de X2M (tal y como se muestra en la ilustración de arriba).

Cuando el parámetro [D-01]=1 en el momento en que la compañía eléctrica envía la señal de tarifa reducida, ese contacto se abrirá y la unidad se conmutará en modo de apagado forzado⁽¹⁾.

Cuando el parámetro [D-01]=2 en el momento en que la compañía eléctrica envía la señal de tarifa reducida, ese contacto se cerrará y la unidad se conmutará en modo de apagado forzado⁽²⁾.

Tipo 1

Este tipo de suministro eléctrico a tarifa reducida no se interrumpe.

Tipo 2

Este tipo de suministro eléctrico a tarifa reducida se interrumpe de después de que transcurra el tiempo.

Tipo 3

Este tipo de suministro eléctrico a tarifa reducida se interrumpe inmediatamente.

- (1) Cuando la señal se emite de nuevo, el contacto desenergizado se cerrará y la unidad reiniciará el funcionamiento. Por lo tanto, es importante dejar activada la función de reinicio automático. Consulte "[3] Reinicio automático" en la página 28.
- (2) Cuando la señal se emite de nuevo, el contacto desenergizado se abrirá y la unidad reiniciará el funcionamiento. Por lo tanto, es importante dejar activada la función de reinicio automático. Consulte "[3] Reinicio automático" en la página 28.



Cuando conecte el equipo a un suministro eléctrico de tarifa reducida, cambie el ajuste de campo [D-01]. En caso del que el suministro eléctrico de tarifa reducida sea del tipo en el que el suministro eléctrico no se interrumpe (como el que se describe anteriormente como tipo 1) cambie los dos ajustes de campo [D-01] y [D-00]. Consulte el apartado "[D] Suministro eléctrico a tarifa reducida/Valor de desviación local dependiente de las condiciones climáticas" en la página 35 del capítulo "Configuración personalizada".



Si el suministro a tarifa reducida es del tipo en que el suministro eléctrico es ininterrumpido, la unidad entrará en modo de apagado forzado. Aún es posible controlar la bomba solar.

Cuando se envíe la señal a tarifa reducida, el indicador de control centralizado parpadeará para indicar que el suministro a tarifa reducida está activado.

Cambio de ubicación del controlador digital

El controlador digital viene ubicado desde fábrica en la unidad interior. (Consulte "Componentes principales" en la página 11 para conocer la posición real). Si es necesario, se puede cambiar la ubicación del controlador digital.

Tenga en cuenta que sólo se puede conectar un controlador digital a la unidad interior.

Especificaciones del cable

Especificaciones del cable	Valor
Tipo	2 hilos
Sección	AWG18 - AWG16 (0,75~1,25 mm ²)
Longitud máxima	1640 pies (500 m).

NOTA El cableado de conexión no viene incluido.



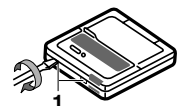
Montaje

NOTA El controlador digital debe montarse en el interior:

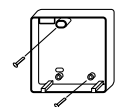


- 1 Retire el panel frontal del controlador digital.

Inserte el destornillador ranurado en las ranuras (1) del panel trasero del controlador digital y extraiga el panel delantero del controlador digital.



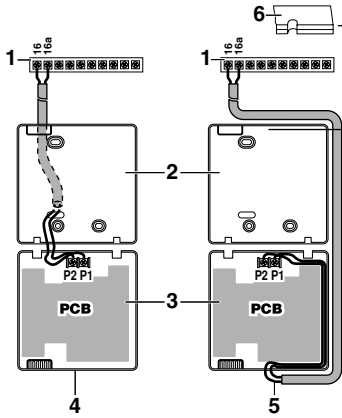
- 2 Fije el controlador digital sobre una superficie plana.



NOTA Tenga la precaución de no deformar la parte inferior del controlador digital por apretar demasiado los tornillos de montaje.



3 Instale el cableado de la unidad.



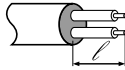
- 1 Unidad
- 2 Panel trasero del controlador digital
- 3 Panel delantero del controlador digital
- 4 Cableado desde la parte posterior
- 5 Cableado desde la parte superior
- 6 Practique una ranura en la pieza para pasar los cables, valiéndose de unos alicates, etc.

Conecte los terminales en la parte superior del panel delantero del controlador digital y los terminales del interior de la unidad (P1 a 16, P2 a 16a).



NOTA

- Cuando instale los cables, tienda éstos lejos del cableado de alimentación para evitar la recepción de ruido eléctrico (ruido externo).
- Retire el blindaje exterior de la parte de cable que ha de pasar al interior de la caja del controlador digital (✓).



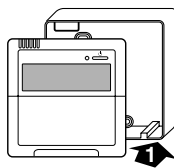
4 Reponga la parte superior del controlador digital.



PRECAUCIÓN

Tenga cuidado de no pellizcar ningún cable durante la colocación.

Empiece la colocación por las pinzas de la parte de abajo.



ARRANQUE Y CONFIGURACIÓN

El instalador debería configurar la unidad interior para ajustarla al entorno de instalación (clima exterior, accesorios instalados, etc.), así como a los conocimientos del usuario.



Es importante que el instalador lea **toda** la información de este capítulo en el orden correcto y que el sistema se configure debidamente.

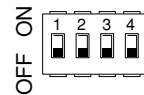
Descripción general de los ajustes del interruptor DIP

El interruptor DIP SS2 está ubicado en la tarjeta de circuito impreso del cuadro de interruptores (véase "Componentes principales de la caja de conexiones" en la página 12) y permite configurar la instalación del depósito de agua sanitaria, la conexión del termostato de la habitación y el funcionamiento de la bomba.



ADVERTENCIA

Apague la alimentación antes de abrir el panel de mantenimiento de la caja de interruptores y realizar cambios en la configuración del interruptor DIP.

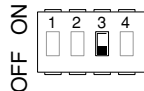
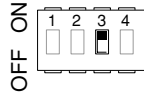


Inter-ruptor DIP SS2	Descripción	ON	OFF
1	No aplicable para el instalador	—	(Por defecto)
2	Instalación del depósito de agua caliente sanitaria (consulte "Configuración de la instalación del depósito de agua caliente sanitaria" en la página 25)	Instalado	No instalado (por defecto)
3	Conexión del termostato de la habitación (consulte "Configuración de la instalación del termostato de la habitación" en la página 24)	Termostato de la habitación conectado	No hay ningún termostato de habitación conectado (por defecto)
4	Este ajuste ^(a) determina el modo de funcionamiento de la bomba cuando existe una mayor demanda de calefacción/refrigeración de la habitación y del calentamiento del agua sanitaria al mismo tiempo.	Prioridad de calefacción/refrigeración	Prioridad en el lado de más demanda ^(b)

(a) Sólo es aplicable si el interruptor DIP 2 = ON

(b) El modo de calefacción/refrigeración o calefacción de agua sanitaria puede restringirse mediante un temporizador de programación y/o los ajustes de campo (4, 5, 8).

Configuración de la instalación del termostato de la habitación

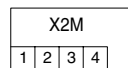
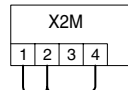
- Cuando **ningún termostato de la habitación** está conectado a la unidad interior, el interruptor de conmutación SS2-3 deberá ajustarse en **OFF**.
 
- Cuando el **termostato de la habitación** está conectado a la unidad interior, el interruptor de conmutación SS2-3 deberá ajustarse en **ON**.
 
- En el termostato de habitación, confirme los ajustes correctos ($b-r02=1$, $b-r05=9$, $b-r06=3$) para evitar que la bomba se encienda y se apague repetidamente y afecte a la vida útil de ésta.



- Cuando un termostato de habitación está conectado a la unidad interior, los temporizadores de programación de calefacción y refrigeración permanecerán deshabilitados. El resto de los temporizadores de programación no se verán afectados. Para obtener más información acerca de los temporizadores de programación consulte el manual de operación.
- Cuando un termostato de habitación está conectado a la unidad interior y el botón o el botón están presionados, el indicador de control centralizado parpadeará para indicar que el termostato de la habitación tiene prioridad y controla el encendido/apagado de la unidad y la función de cambio de modo.

La siguiente tabla resume la configuración requerida y el cableado del termostato en el bloque de terminales (X2M: 1, 2, 3, 4) en la caja de interruptores. El funcionamiento de la bomba aparece relacionado en la tercera columna. Las tres últimas columnas indican si la siguiente función está disponible en la interfaz de usuario (UI) o si está operada por el termostato (T):

- Calefacción o refrigeración de la habitación ON/OFF (
- Cambio de modo calefacción/refrigeración o viceversa (
- Temporizadores de programación de calefacción y refrigeración (

Termostato	Configuración	Operación de la bomba			
Sin termostato	<ul style="list-style-type: none"> SS2-3 = OFF cableado: (no) 	Determinado por la temperatura del agua de salida ^(a)	UI	UI	UI
	<ul style="list-style-type: none"> SS2-3 = ON cableado: 	Encendido cuando el modo calefacción o refrigeración está encendido (UI	UI	UI
Termostato de sólo calefacción	<ul style="list-style-type: none"> SS2-3 = ON cableado: (consulte el manual de instalación del kit de termostato de habitación) 	Encendido cuando el termostato de habitación envía la señal de calefacción	T	—	—
Termostato con interruptor de calefacción/refrigeración	<ul style="list-style-type: none"> SS2-3 = ON cableado: (consulte el manual de instalación del kit de termostato de habitación) 	Encendido cuando el termostato de habitación envía la señal de calefacción o de refrigeración	T	T	—

(a) La bomba se detendrá cuando la calefacción/refrigeración de la habitación se apague o cuando el agua alcance la temperatura deseada conforme al ajuste realizado a través de la interfaz del usuario. Con el modo calefacción/refrigeración encendido, la bomba se activará cada 5 minutos durante 3 minutos para comprobar la temperatura del agua.

Configuración de funcionamiento de la bomba

NOTA



Para ajustar la velocidad de la bomba consulte el apartado "Ajuste de la velocidad de la bomba" en la página 26.

Sin termostato de habitación: Interruptor DIP SS2-3 = OFF

Si no hay ningún termostato conectado a la unidad interior, el funcionamiento de la bomba vendrá determinado por la temperatura del agua de salida.

Para forzar el funcionamiento de la bomba en modo continuo cuando no hay termostato conectado proceda del siguiente modo:

- Ajuste el interruptor SS2-3 en ON,
- Cortocircuite los terminales 1-2-4 en el bloque de terminales de la caja de interruptores.

Con el interruptor DIP del termostato de habitación: SS2-3 = ON

Cuando hay un termostato conectado a la unidad interior, la bomba funcionará de manera continua siempre que el termostato envíe la señal de demanda de calefacción o de refrigeración.

Punto de referencia doble

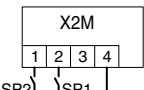
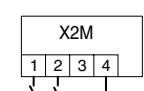
Cuando el punto de referencia doble está habilitado, el funcionamiento de la bomba se determinará en función del estado del interruptor DIP SS2-3 y los contactos de selección del punto de referencia. Consulte las configuraciones de funcionamiento de la bomba cuando el termostato esté conectado o no, tal y como se describe anteriormente



Cuando el punto de referencia doble está habilitado, el "funcionamiento continuo forzado de la bomba" no será posible. Cuando SS2-3 esté en ON mientras que SP1 y SP2 están cerrados, el funcionamiento de la bomba será el mismo que "con el termostato de habitación" y el segundo punto de referencia será el punto de referencia aplicable. Consulte "Control del punto de referencia doble" en la página 32.

La siguiente tabla resume la configuración requerida y el cableado en el bloque de terminales (X2M: 1, 2, 4) en la caja de interruptores. El funcionamiento de la bomba aparece relacionado en la tercera columna. Las tres últimas columnas indican si la siguiente función está disponible en la interfaz de usuario (UI) o si está operada por los contactos de selección de punto de referencia SP1 y SP2:

- Calefacción o refrigeración de la habitación ON/OFF (
- Cambio de modo calefacción/refrigeración o viceversa (
- Temporizadores de programación de calefacción y refrigeración (

Punto de referencia doble					
Configuración	Operación de la bomba				
<ul style="list-style-type: none"> [7-02]=1 SS2-3 = OFF cableado: 	Determinado por la temperatura del agua de salida ^(a)	UI	UI	UI	
<ul style="list-style-type: none"> [7-02]=1 SS2-3 = ON cableado: 	O cuando se solicite un punto de referencia principal o secundario	SP2/SP1	UI	—	

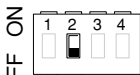
SP1 = Contacto del primer punto de referencia

SP2 = Contacto del segundo punto de referencia

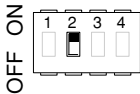
(a) La bomba se detendrá cuando la calefacción/refrigeración de la habitación se apague o cuando el agua alcance la temperatura deseada conforme al ajuste realizado a través de la interfaz del usuario. Con el modo calefacción/refrigeración encendido, la bomba se activará cada 5 minutos durante 3 minutos para comprobar la temperatura del agua.

Configuración de la instalación del depósito de agua caliente sanitaria

- Si no hay ningún **depósito de agua sanitaria** instalado, el interruptor de conmutación SS2-2 deberá ajustarse en **OFF** (ajuste por defecto).



- Si hay un **depósito de agua sanitaria** instalado, el interruptor de conmutación SS2-2 deberá ajustarse en **ON**.



Cuando SS2-3 se establece en ON y las conexiones de cableado entre la unidad interior y la caja de interruptores del depósito de agua caliente sanitaria no son correctas, se mostrará el código de error \overline{R} en la interfaz de usuario.

Arranque inicial a bajas temperaturas ambiente exteriores

Durante la puesta en marcha inicial y si la temperatura del agua es baja, es importante que ésta se caliente gradualmente. De lo contrario, podrían producirse grietas en los suelos de hormigón debido al cambio brusco de temperatura. Para obtener información detallada, póngase en contacto con el contratista de construcción responsable del cemento armado.

Para ello, es posible reducir la temperatura de ajuste mínima del agua de salida hasta alcanzar un valor entre 59°F (15°C) y 77°F (25°C) regulando el ajuste de campo [9-01] (límite inferior del punto de referencia de calefacción). Consulte "Configuración personalizada" en la página 26.



El modo de calefacción entre 59°F (15°C) y 77°F (25°C) sólo se realiza mediante el calefactor auxiliar.

Comprobaciones previas al funcionamiento

Comprobaciones antes del arranque inicial



PELIGRO

Corte la alimentación antes de realizar ninguna conexión.

Después de la instalación de la unidad, antes de conectar el interruptor automático del circuito, compruebe lo siguiente:

1 Cableado de obra

Asegúrese de que el cableado de conexión entre el panel de alimentación local y la unidad interior, entre la unidad exterior y la unidad interior, entre la unidad interior y las válvulas (si procede), entre la unidad interior y el termostato de habitación (si procede) y entre la unidad interior y el depósito de agua sanitaria hayan sido instalados conforme a las instrucciones descritas en el capítulo "Cableado de obra" en la página 18, conforme a los diagramas de cableado y las leyes y disposiciones locales y nacionales vigentes.

2 Fusibles, disyuntores o dispositivos de protección

Compruebe que los fusibles, disyuntores u otros dispositivos de protección instalados localmente son del tamaño y tipo especificados en el capítulo "Especificaciones técnicas" en la página 45. Asegúrese de que no se ha puenteado ningún fusible ni dispositivo de protección.

3 Disyuntor del calefactor auxiliar F1B/F3B

No olvide encender el disyuntor del calefactor auxiliar F2B en la caja de interruptores (F1B/F3B depende del tipo de calefactor auxiliar). Consulte el diagrama de cableado.

4 Disyuntor de la resistencia eléctrica F2B

No olvide encender el disyuntor F2B del circuito de la resistencia eléctrica en la caja de interruptores (sólo se aplica en unidades con depósito de agua caliente sanitaria opcional instalado).

5 Cableado a tierra

Asegúrese de que los cables para toma de tierra han sido conectados correctamente y de que los terminales de toma de tierra están apretados.

6 Cableado interno

Realice una comprobación visual del cuadro eléctrico para verificar que no hay conexiones sueltas o componentes eléctricos dañados.

7 Fijación

Compruebe que la unidad está fijada correctamente para evitar ruidos y vibraciones anormales cuando ponga en marcha la unidad.

8 Daños en el equipo

Compruebe en el interior de la unidad si hay componentes dañados o tubos aplastados.

9 Fugas de refrigerante

Compruebe en el interior de la unidad que no hay fugas de refrigerante. Si las hubiese, póngase en contacto con el distribuidor local.

10 Voltaje de la alimentación eléctrica

Compruebe el voltaje de la alimentación eléctrica en el panel de alimentación local. El voltaje debe corresponder al de la etiqueta de identificación de la unidad.

11 Válvula de purga de aire

Asegúrese de que la válvula de purga de aire está abierta (al menos 2 vueltas).

12 Válvula de alivio de presión

Asegúrese de que el calefactor auxiliar está lleno de agua abriendo la válvula de alivio de presión. Debería evacuar agua en lugar de aire.

NOTA



La operación del sistema con el calefactor auxiliar completamente lleno de agua causará daños en el calefactor auxiliar.

13 Válvulas de cierre

Asegúrese de que las válvulas de cierre están correctamente instaladas y completamente abiertas.

NOTA



Hacer funcionar el sistema con las válvulas cerradas dañaría la bomba.

Encendido de la unidad interior

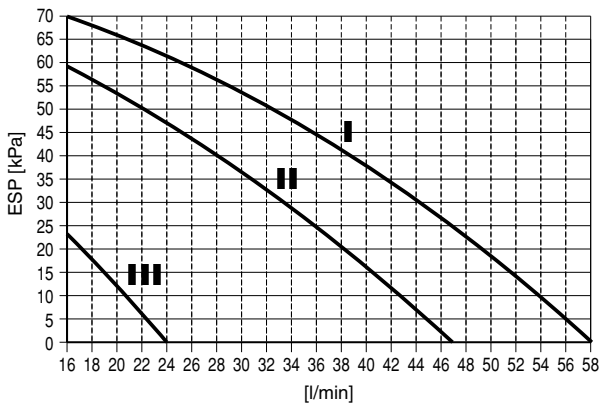
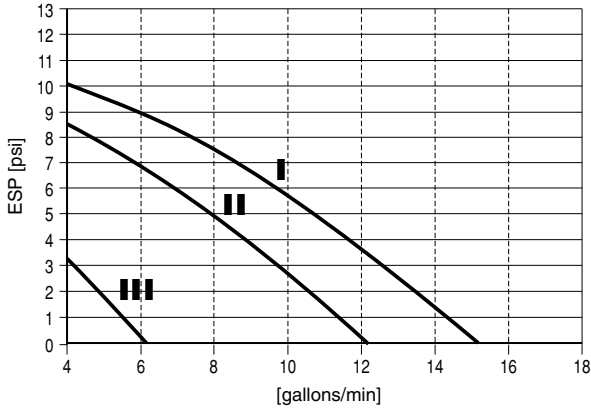
Cuando la unidad está encendida, "88" aparece en la interfaz del usuario durante su inicialización, la cual podría durar un tiempo total de 30 segundos. Durante este proceso, la interfaz del usuario no puede operarse.

Ajuste de la velocidad de la bomba

La velocidad de la bomba puede seleccionarse en la bomba (véase "Componentes principales" en la página 11).

El ajuste por defecto es la velocidad alta (I). Si el caudal de agua en el sistema es demasiado elevado (p.ej. ruido del agua que circula por la instalación) su velocidad puede reducirse a velocidad media (II) o velocidad baja (III).

La presión estática exterior disponible (ESP, expresado en kPa) en función del flujo de agua (galones/min (l/min)) se indica en la siguiente gráfica.



Configuración personalizada

El instalador deberá configurar la unidad interior para ajustarla al entorno de instalación (clima exterior, accesorios instalados, etc.), así como a las necesidades del usuario. Para ello hay varios ajustes de obra disponibles. Es posible acceder a estos ajustes de campo y programarlos a través de la interfaz del usuario de la unidad interior.

Para cada ajuste de obra viene asignado un número o código de 3 dígitos, por ejemplo [1-03], lo que se indica en la pantalla de la interfaz del usuario. El primer dígito [1] indica el "primer código" o grupo de ajustes de obra. El segundo y tercer dígito [03] juntos indican el "segundo código".

En el apartado "Tabla de configuración personalizada" en la página 37 se proporciona una lista de todos los ajustes de obra y valores por defecto. En esta misma lista hemos añadido 2 columnas para registrar la fecha y el valor de los ajustes de campo que difieran del valor por defecto.

En el apartado "Descripción detallada" en la página 27 aparece una descripción detallada de cada ajuste de obra.

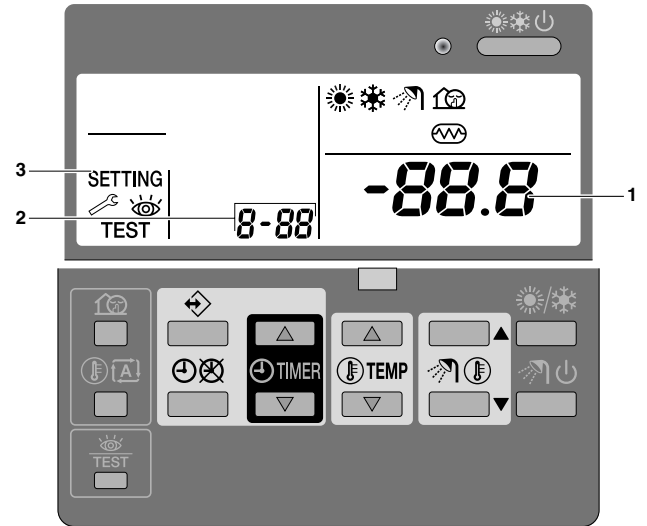
Procedimiento

Para cambiar uno o varios ajustes de obra siga las instrucciones que se proporcionan a continuación.



Los valores de temperatura mostrados en el controlador digital (interfaz de usuario) están en °C.

Los valores de temperatura en °C están entre paréntesis. La conversión de °C a °F es sólo de carácter informativo.



- 1 Pulse el botón durante un mínimo de 5 segundos para introducir FIELD SET MODE [MODO DE AJUSTE DE OBRA]. El icono SETTING (3) se mostrará en la pantalla. Se muestra el código de ajuste de obra seleccionado 8-88 (2), con el valor de ajuste indicado a la derecha -88.8 (1).
- 2 Pulse el botón para seleccionar el primer código de ajuste de obra adecuado.
- 3 Pulse el botón para seleccionar el segundo código de ajuste de obra adecuado.
- 4 Pulse el botón y el botón para modificar el ajuste de obra realizado.
- 5 Guarde el nuevo valor ajustado pulsando el botón .
- 6 Repita los pasos 2 a 4 para cambiar otros ajustes de obra según sea necesario.
- 7 Cuando finalice, pulse el botón para salir del FIELD SET MODE [MODO DE AJUSTE DE OBRA].

NOTA



Los cambios realizados en un ajuste de obra determinado sólo se guardarán si se pulsa el botón . Si se desplaza hasta un nuevo código de ajuste de obra o pulsa el botón se descartarán los cambios realizados.



- Antes del envío, los valores ajustados han sido configurados conforme a las instrucciones que se proporcionan en el apartado "Tabla de configuración personalizada" en la página 37.
- Al salir del FIELD SET MODE [MODO DE AJUSTE DE OBRA], en la pantalla LCD de la interfaz del usuario puede aparecer "88" al inicializarse la unidad.

Descripción detallada

[0] Nivel de autorización del usuario

Si fuera necesario, los botones de la interfaz del usuario pueden deshabilitarse para el usuario.

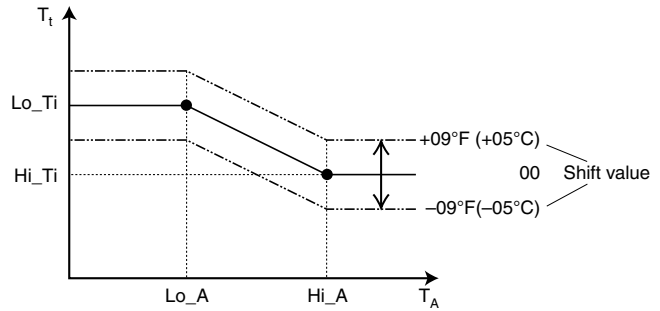
Hay tres niveles de autorización disponibles (véase la siguiente tabla). El cambio entre el nivel 1 y el nivel 2/3 se realiza pulsando los botones \ominus TIMER \blacktriangle y \ominus TIMER \blacktriangledown simultáneamente, inmediatamente seguido por los botones Lo_A y Hi_A , durante al menos 5 segundos (en modo normal). Tenga presente que no se proporciona ninguna indicación en la interfaz de usuario cuando el nivel 2/3 está seleccionado, el nivel de autorización real, ya sea el nivel 2 o el 3, viene determinado por el ajuste de campo [0-00].

Botón	Nivel de autorización		
	1	2	3
Botón de modo de funcionamiento susurrante		operable	—
Botón de punto de referencia dependiente de las condiciones climáticas	Lo_A / Hi_A	operable	—
Botón de activación/desactivación del temporizador	TIMER	operable	operable
Botón de programación	PROG	operable	—
Botones de ajuste de hora	TIMER \blacktriangle / \blacktriangledown	operable	—
Botón de inspección/prueba de funcionamiento	TEST	operable	—

[1] Punto de referencia en función de la temperatura exterior (sólo modo calefacción)

La configuración del punto de referencia dependiente de las condiciones climáticas define los parámetros para el funcionamiento de la unidad de forma dependiente de las condiciones climáticas. Cuando el modo de funcionamiento dependiente de las condiciones climáticas está activado, la temperatura del agua se determina automáticamente dependiendo de la temperatura exterior: si la temperatura exterior es fría el agua se calentará y viceversa. Durante el funcionamiento dependiente de las condiciones climáticas, el usuario tiene la posibilidad de elevar o reducir la temperatura pretendida del agua a un máximo de 9°F (5°C). Consulte el manual de funcionamiento para obtener más detalles sobre el funcionamiento dependiente de las condiciones climáticas.

- [1-00] Temperatura ambiente baja (Lo_A): temperatura exterior baja.
- [1-01] Temperatura ambiente alta (Hi_A): temperatura exterior alta.
- [1-02] Punto de referencia a temperatura ambiente baja (Lo_Ti): es la temperatura pretendida del agua de salida cuando la temperatura exterior equivale o es inferior a la temperatura ambiente baja (Lo_A). Tenga presente que el valor Lo_Ti debería ser superior al valor Hi_Ti, ya que es necesario poseer agua caliente para temperaturas exteriores más bajas (Lo_A).
- [1-03] Punto de referencia a temperatura ambiente alta (Hi_Ti): es la temperatura pretendida del agua de salida cuando la temperatura exterior equivale o es superior a la temperatura ambiente alta (Hi_A). Tenga presente que el valor Hi_Ti debería ser inferior al valor Lo_Ti, ya que para temperaturas exteriores más cálidas (Hi_A) se requiere menos agua caliente.



T_t Temperatura pretendida del agua

T_A Temperatura ambiente (exterior)

Shift value = Valor de desviación

[2] Función de desinfección

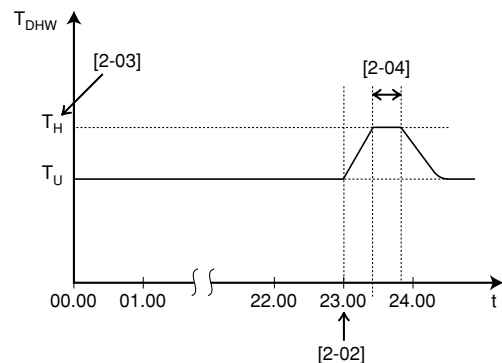
Sólo disponible en las instalaciones con depósito de agua caliente sanitaria.

La función de desinfección desinfecta el depósito de agua sanitaria calentando periódicamente el agua sanitaria a una temperatura determinada.

PRECAUCIÓN

Los ajustes de configuración de la función de desinfección deben ser configurados por el instalador, conforme a las leyes y disposiciones locales.

- [2-00] Intervalo de funcionamiento: día(s) de la semana en los que el agua sanitaria debe calentarse.
- [2-01] Estado: define si la función de desinfección está activada (1) o desactivada (0).
- [2-02] Hora de arranque: hora del día a la que el agua sanitaria debe calentarse.
- [2-03] Punto de referencia: temperatura del agua caliente deseada.
- [2-04] Intervalo: intervalo de tiempo que define el tiempo que debe mantenerse la temperatura de referencia.



T_{DHW} Temperatura del agua caliente sanitaria

T_U Temperatura de referencia ajustada por el usuario (equivalente a la temperatura ajustada en la interfaz del usuario)

T_H Alta temperatura de referencia [2-03]

t Tiempo



ADVERTENCIA

Tenga en cuenta que la temperatura del agua caliente sanitaria en el grifo de agua caliente será igual al valor seleccionado en el ajuste de campo [2-03] después de la operación de desinfección.

Si esta alta temperatura del agua caliente sanitaria supone un riesgo potencial de lesiones, deberá instalarse una válvula de mezcla (suministrada en la obra) en la conexión de salida del agua caliente del depósito de agua caliente sanitaria. Esta válvula de mezcla deberá asegurar que la temperatura del agua caliente en el grifo de agua caliente nunca suba por encima del valor máximo establecido. Esta temperatura máxima permisible del agua caliente deberá seleccionarse en función de las leyes y disposiciones locales.

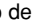
[3] Reinicio automático

Cuando la alimentación vuelve después de un fallo de alimentación, la función de reinicio automático volverá a aplicar los ajustes de interfaz del usuario que estaban ajustados antes de dicho fallo.

NOTA



Por lo tanto, se recomienda dejar activada la función de reinicio automático.

Tenga presente que con la función desactivada, el temporizador de programación no se activará cuando la alimentación vuelva a la unidad después de un fallo de alimentación. Pulse el botón  para volver a activar el temporizador de programación.

- [3-00] Estado: determina si la función de autoreinicio se ajusta en **ON (0)** u **OFF (1)**.

NOTA



Si el suministro de alimentación a tarifa reducida es del tipo en que el suministro eléctrico ininterrumpido, permita siempre la función de reinicio automático.

[4] Funcionamiento del calefactor auxiliar/resistencia eléctrica y ajuste de temperatura de apagado de calefacción de la habitación

Funcionamiento del calefactor auxiliar

El calefactor auxiliar puede activarse o desactivarse, o bien, puede desactivarse dependiendo de la operación de la resistencia eléctrica.

- [4-00] Estado: define si el calefactor auxiliar está activado (1) o desactivado (0).
- [4-01] Prioridad: define si la resistencia eléctrica puede funcionar simultáneamente (0), o si el funcionamiento de la resistencia eléctrica tiene prioridad sobre el funcionamiento del calefactor auxiliar (1), o bien, si el funcionamiento del calefactor auxiliar tiene prioridad sobre el funcionamiento de la resistencia eléctrica (2).

NOTA



Cuando el ajuste de campo de prioridad está en ON (1), la capacidad de calefacción de la habitación del sistema puede verse reducida cuando la temperatura exterior es baja, ya que en caso de existir demanda de calefacción del agua sanitaria, el calefactor auxiliar no estaría disponible para proporcionar apoyo a la calefacción de la habitación (aunque la calefacción de la habitación sería proporcionada por la bomba de calor).

Cuando el ajuste de campo de prioridad está ajustado en ON (2), el rendimiento de calefacción de agua caliente sanitaria del sistema puede descender cuando la temperatura exterior es baja, ya que en caso de demanda de calefacción de habitaciones la resistencia eléctrica no estaría disponible para calentar el agua sanitaria. Sin embargo, la bomba de calor sí que estaría disponible para la calefacción del agua caliente sanitaria.

Cuando el ajuste de campo de prioridad está en OFF (0), asegúrese de que el consumo de alimentación no supera los límites de suministro.

Temperatura de calefacción de habitaciones OFF

- [4-02] Temperatura de la calefacción de habitaciones en OFF: es la temperatura exterior por encima de la cual se apaga la calefacción de las habitaciones para evitar el sobrecalentamiento.

Función de resistencia eléctrica

Sólo disponible en las instalaciones con depósito de agua caliente sanitaria.

El funcionamiento de la resistencia eléctrica puede habilitarse o restringirse en función de la temperatura exterior (T_A), la temperatura del agua caliente doméstica (T_{DHW}) o el modo de funcionamiento de la bomba de calor.

- [4-03] Función de resistencia eléctrica: establece si la función de resistencia eléctrica opcional está activada (1) o restringida (0/2/3).

Explicación de los ajustes [4-03]

La resistencia eléctrica funcionará o sólo podrá funcionar si el modo de agua caliente doméstica está activado (☞).

- [4-03]=0, entonces, el funcionamiento de la resistencia eléctrica sólo estará permitido durante "[2] Función de desinfección" y "Calefacción de agua doméstica de alta potencia" (consulte el manual de funcionamiento). Este ajuste sólo se recomienda en el caso de que la bomba de calor pueda abarcar los requisitos de calefacción de la casa y del agua caliente sanitaria en toda la temporada de calefacción. El resultado de este ajuste es que el agua caliente sanitaria nunca será calentada por la resistencia eléctrica excepto para "[2] Función de desinfección" y "Calentamiento de agua sanitaria de alta potencia" (consulte el manual de funcionamiento).



Si el funcionamiento de la resistencia eléctrica está restringido ([4-03]=0) y la temperatura exterior T_A es inferior al ajuste de campo al que se ajusta el parámetro [5-03] y [5-02]=1, el agua caliente sanitaria no se calentará.

El resultado de este ajuste es que la temperatura del agua caliente sanitaria (T_{DHW}) puede ser la máxima de la temperatura de apagado de la bomba de calor ($T_{HP\ OFF}$). Consulte el ajuste [6-00] y [6-01] en "[6]" en la página 30.

- [4-03]=1, entonces, el funcionamiento de la resistencia eléctrica sólo se determina mediante la temperatura OFF de la resistencia eléctrica ($T_{BH\ OFF}$), la temperatura ON de la resistencia eléctrica ($T_{BH\ ON}$) y/o el temporizador de programación. Consulte el ajuste "[7-00]" en la página 31 y "[7-01]" en la página 31.
- [4-03]=2, entonces, el funcionamiento de la resistencia eléctrica sólo se permite si la bomba de calor está fuera del "rango de funcionamiento" del modo de calefacción de agua caliente sanitaria de la bomba de calor ($T_A < [5-03]$ o $T_A > 95^\circ\text{F}(35^\circ\text{C})$) o la temperatura del agua caliente sanitaria es de $3,6^\circ\text{F}(2^\circ\text{C})$ inferior a la temperatura de apagado de la bomba de calor ($T_{HP\ OFF}$) para el modo de agua caliente sanitaria ($T_{DHW} > T_{HP\ OFF} - 3,6^\circ\text{F}(2^\circ\text{C})$). (Consulte el ajuste [5-03] en página 29, [6-00] en la página 30 y [6-01] en la página 30). Tiene como resultado la cobertura más óptima del agua caliente sanitaria calentada por la bomba.
- [4-03]=3, entonces, el funcionamiento de la resistencia eléctrica es el mismo que en el ajuste 1, excepto que la resistencia eléctrica está en OFF cuando la bomba de calor está activada en el modo de agua caliente sanitaria. El resultado de esta función es que el ajuste [8-03] no es relevante. Tiene como resultado la cobertura óptima del agua caliente sanitaria calentada por la bomba de calor en relación con [8-04].



- Con el ajuste [4-03]=1/2/3, el funcionamiento de la resistencia eléctrica puede también limitarse con el temporizador de programación. Por ejemplo, cuando el funcionamiento de la resistencia eléctrica tiene prioridad durante cierto periodo del día. (Consulte el manual de funcionamiento)
- Con el ajuste [4-03]=2, la resistencia eléctrica podrá funcionar con $T_A < [5-03]$ independientemente del estado de [5-02]. Si se activa el funcionamiento bivalente y la señal de autorización para el calefactor auxiliar está en ON, la resistencia eléctrica estará limitada incluso con $T_A < [5-03]$. (Consulte la "[C-02]" en la página 34).
- La resistencia eléctrica siempre puede funcionar durante las funciones de desinfección y de alta potencia, excepto cuando se requiere el funcionamiento del calefactor auxiliar por motivos de seguridad y [4-02]=1.

[5] Temperatura de equilibrio y temperatura de prioridad de calefacción de habitaciones

Equilibrio de temperatura: el ajuste 'equilibrio de temperatura' se aplica al funcionamiento del **calefactor auxiliar**.

Cuando la función de equilibrio de temperatura está activada el funcionamiento del calefactor auxiliar está restringido a temperaturas exteriores bajas, es decir, cuando la temperatura exterior equivale o desciende por debajo de la temperatura de equilibrio especificada. Cuando la función está desactivada el calefactor auxiliar puede funcionar independientemente de la temperatura exterior. Cuando se activa esta función se reduce el tiempo de trabajo del calefactor auxiliar.

- [5-00] Estado de la temperatura de equilibrio: especifica si la función de temperatura de equilibrio está activada (1) o desactivada (0).
- [5-01] Temperatura de equilibrio: temperatura exterior por debajo del ajuste de temperatura a partir del cual está permitido el uso del calefactor auxiliar.

Temperatura de prioridad de calefacción de habitaciones — Sólo es aplicable en instalaciones con depósito de agua caliente sanitaria. — El ajuste "temperatura de prioridad de calefacción de habitaciones" se aplica al funcionamiento de la válvula de 3 vías y a la **resistencia eléctrica** del depósito de agua caliente sanitaria.

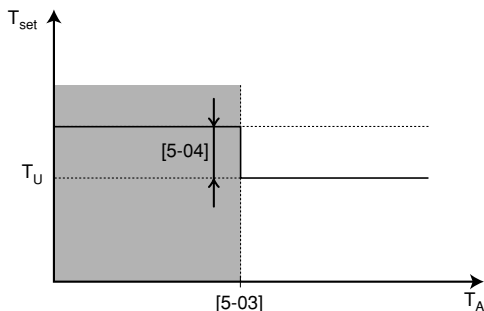
Cuando la función de prioridad de calefacción de habitaciones está activada sólo se garantiza el empleo de la capacidad total de la bomba de calor para calentar la habitación cuando la temperatura exterior equivale o desciende por debajo de la temperatura de prioridad de calefacción de habitaciones especificada, es decir, cuando la temperatura exterior es baja. En este caso el agua caliente sanitaria sólo se calentará mediante la resistencia eléctrica.

- [5-02] Estado de prioridad de la calefacción de habitaciones: especifica si la prioridad de calefacción de habitaciones está activada (1) o desactivada (0).
- [5-03] Temperatura de prioridad de calefacción de habitaciones: temperatura exterior por debajo de la cual el agua sanitaria será calentada sólo por la resistencia eléctrica, es decir en condiciones de bajas temperaturas exteriores.



Si el funcionamiento de la resistencia eléctrica está restringido ([4-03]=0) y la temperatura exterior T_A es inferior al ajuste de campo al que se ajusta el parámetro [5-03] y [5-02]=1, el agua caliente sanitaria no se calentará.

- [5-04] Corrección de la temperatura de referencia del agua sanitaria: corrección de la temperatura de referencia deseada del agua sanitaria que deberá ser aplicada al activarse la prioridad de calefacción de habitaciones en condiciones de bajas temperaturas exteriores. El punto de referencia (superior) corregido asegurará que la capacidad calorífica *total* del agua del depósito permanezca aproximadamente invariable compensando la capa de agua inferior del depósito, más fría (debido a que el serpentín del intercambiador de calor está desactivado), mediante una capa superior más caliente.



T_{set} Temperatura de referencia del agua caliente sanitaria
 T_U Punto de referencia ajustado por el usuario (equivalente al ajustado en la interfaz del usuario)
 T_A Temperatura ambiente (exterior)
 ■ Prioridad de calefacción de habitaciones



ADVERTENCIA

Tenga en cuenta que la temperatura del agua caliente sanitaria aumentará automáticamente con el valor seleccionado en el ajuste de campo [5-04] (si la temperatura exterior cae por debajo del ajuste de campo [5-03]) compare con el punto de referencia de usuario para el agua caliente sanitaria (T_U). Consulte los ajustes de campo [5-03], [7-00] y el manual de funcionamiento para seleccionar el punto de referencia deseado.

Si esta alta temperatura del agua caliente sanitaria supone un riesgo potencial de lesiones, deberá instalarse una válvula de mezcla (suministrada en la obra) en la conexión de salida del agua caliente del depósito de agua caliente sanitaria. Esta válvula de mezcla deberá asegurar que la temperatura del agua caliente en el grifo de agua caliente nunca suba por encima del valor máximo establecido. Esta temperatura máxima permisible del agua caliente deberá seleccionarse en función de las leyes y disposiciones locales.

[6] DT (diferencia de temperatura) para el modo de calefacción de agua sanitaria de la bomba de calor

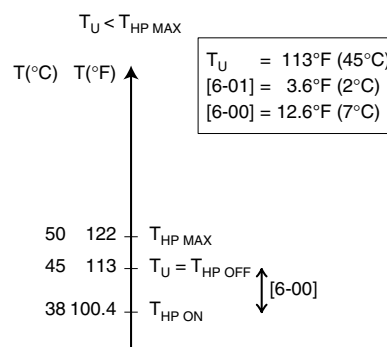
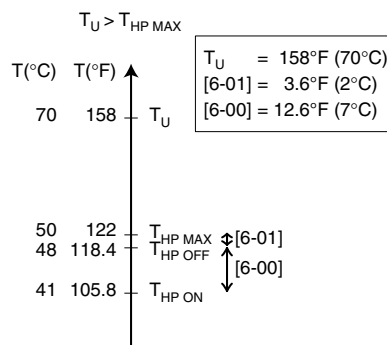
Sólo disponible en las instalaciones con depósito de agua caliente sanitaria.

El ajuste "diferencia de temperatura de calentamiento del agua caliente sanitaria" (DT) determina a qué temperaturas se iniciará el calentamiento del agua caliente sanitaria por la acción de la bomba de calor (es decir, la temperatura a la que la bomba de calor se encenderá) y a qué temperaturas se detendrá (es decir, la temperatura a la que la bomba de calor se apagará).

Cuando la temperatura del depósito de agua caliente sanitaria desciende por debajo de la temperatura a la que debe encenderse la bomba de calor ($T_{HP ON}$), la bomba de calor comenzará a calentar el agua sanitaria. En cuanto la temperatura del depósito de agua caliente sanitaria alcanza la temperatura a la que la bomba de calor debe apagarse ($T_{HP OFF}$) o la temperatura ajustada por el usuario (T_U), la bomba de calor se apagará y dejará de calentar el agua sanitaria (mediante la conmutación de la válvula de 3 vías).

La temperatura a la que se apaga la bomba de calor y la temperatura a la que se enciende y su relación con los ajustes de campo [6-00] y [6-01] aparece explicada en la siguiente ilustración.

- [6-00] Arranque: diferencia de temperatura que determina la temperatura de encendido de la bomba ($T_{HP ON}$). Consulte la ilustración.
- [6-01] Parada: diferencia de temperatura que determina la temperatura de apagado de la bomba ($T_{HP OFF}$). Consulte la ilustración.



T_U Temperatura de referencia ajustada por el usuario (equivalente a la temperatura ajustada en la interfaz del usuario)
 $T_{HP MAX}$ Máxima temperatura de la bomba de calor en el sensor del depósito del agua caliente sanitaria (122°F)(50°C) (dependiendo de T_A)^(a)
 $T_{HP OFF}$ Temperatura de apagado de la bomba de calor
 $T_{HP ON}$ Temperatura de encendido de la bomba de calor

(a) 122°F (50°C) = $T_{HP MAX}$ a $T_A \leq 77°F$ (25°C).
 118,4°F (48°C) = $T_{HP MAX}$ a $T_A > 77°F$ (25°C).



La temperatura máxima de agua caliente sanitaria que puede alcanzarse con la bomba de calor es 122°F (50°C). Se recomienda seleccionar $T_{HP OFF}$ no superior a 118,4°F (48°C) para mejorar el rendimiento de la bomba de calor durante el modo de calentamiento de agua sanitaria.

Con el ajuste [4-03]=0 o 2 se recomienda prestar especial atención a [6-00]. Es imprescindible un buen equilibrio entre la temperatura del agua caliente sanitaria y la temperatura de encendido ($T_{HP ON}$).

[7] Diferencia de temperatura para la resistencia eléctrica y el control de punto de referencia doble

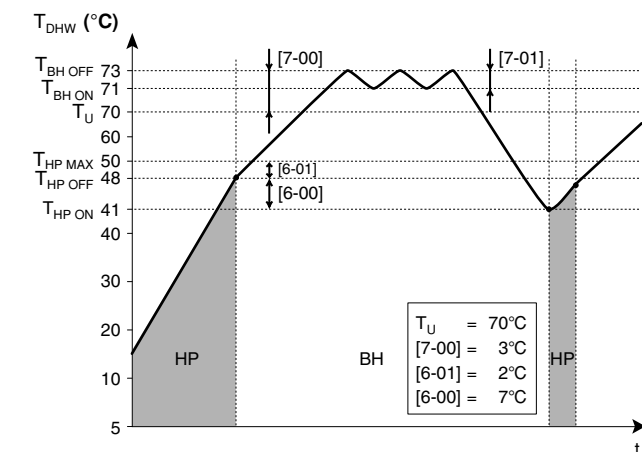
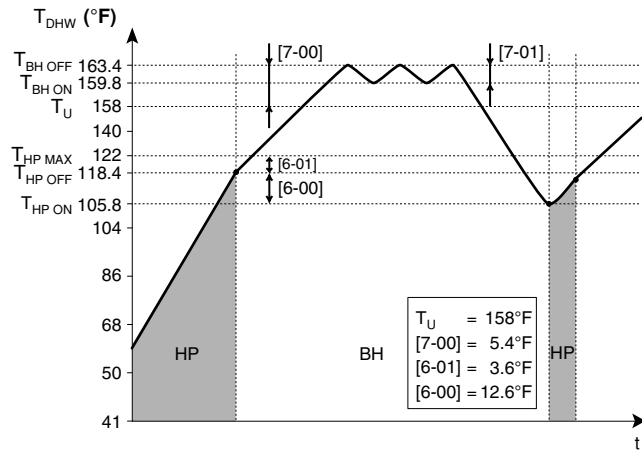
Diferencia de temperatura para la resistencia eléctrica

Sólo disponible en las instalaciones con depósito de agua caliente sanitaria.

Cuando el agua caliente sanitaria se calienta y se alcanza la temperatura de referencia (ajustada por el usuario) del agua caliente sanitaria, la resistencia eléctrica seguirá calentando el agua caliente sanitaria a una temperatura unos grados por encima de la temperatura de referencia, es decir a la temperatura de apagado de la resistencia eléctrica. Estos grados adicionales vienen determinados por el ajuste de campo de la longitud de escalonamiento del agua caliente sanitaria. El ajuste correcto impide que la resistencia eléctrica se encienda y apague continuamente (p.ej. oscilando) y permite mantener la temperatura de referencia del agua caliente sanitaria. Nota: la resistencia eléctrica retornará cuando la temperatura del agua caliente sanitaria descienda [7-01] (valor fijo) por debajo de la temperatura de apagado de la resistencia térmica.

! Si el temporizador de programación de la resistencia eléctrica (véase el manual de funcionamiento) está en funcionamiento, la resistencia eléctrica sólo se activará si recibe permiso del temporizador de programación.

- [7-00] Amplitud del escalonamiento del agua caliente sanitaria: diferencia de temperatura por encima de la temperatura de referencia del agua caliente sanitaria antes de apagarse la resistencia eléctrica.



BH	Resistencia eléctrica
HP	Bomba de calor. Si el tiempo de calentamiento por bomba de calor es excesivo puede activarse la resistencia eléctrica para proporcionar un calentamiento adicional.
$T_{BH OFF}$	Temperatura de apagado de la resistencia eléctrica ($T_U + [7-00]$)
$T_{BH ON}$	Temperatura de encendido de la resistencia eléctrica ($T_{BH OFF} - [7-01]$)
$T_{HP MAX}$	Máxima temperatura de la bomba de calor en el sensor del depósito de agua caliente sanitaria
$T_{HP OFF}$	Temperatura de apagado de la bomba de calor ($T_{HP MAX} - [6-01]$)
$T_{HP ON}$	Temperatura de encendido de la bomba de calor ($T_{HP OFF} - [6-00]$)
T_{DHW}	Temperatura del agua caliente sanitaria
T_U	Temperatura de referencia ajustada por el usuario (equivalente a la temperatura ajustada en la interfaz del usuario)
t	Tiempo

! ADVERTENCIA

Tenga en cuenta que la temperatura del agua caliente sanitaria aumentará automáticamente (siempre) con el valor seleccionado en el ajuste de campo [7-00], compare con el punto de referencia ajustado por el usuario para el agua caliente sanitaria (T_U). Consulte el ajuste de campo [7-00] y el manual de funcionamiento para seleccionar el punto de referencia deseado.

Si esta alta temperatura del agua caliente sanitaria supone un riesgo potencial de lesiones, deberá instalarse una válvula de mezcla (suministrada en la obra) en la conexión de salida del agua caliente del depósito de agua caliente sanitaria. Esta válvula de mezcla deberá asegurar que la temperatura del agua caliente en el grifo de agua caliente nunca suba por encima del valor máximo establecido. Esta temperatura máxima permisible del agua caliente deberá seleccionarse en función de las leyes y disposiciones locales.

! Si el funcionamiento de la resistencia eléctrica está restringido ([4-03]=0) el punto de referencia del parámetro [7-00] no tiene ninguna relevancia para el calentamiento del agua sanitaria de alta potencia.

- [7-01] Valor de histéresis de la resistencia eléctrica: diferencia de temperatura que determina la temperatura de encendido de la resistencia eléctrica ($T_{BH ON}$). $T_{BH ON} = T_{BH OFF} - [7-01]$

! El valor mínimo para la temperatura de encendido de la resistencia eléctrica ($T_{BH ON}$) es 3,6°F (2°C) (fijo) por debajo de la temperatura de apagado de la bomba de calor ($T_{HP OFF}$).

Control del punto de referencia doble

Se aplica sólo a instalaciones con diferente emisor de calor que requieran puntos de referencia distintos.

El control de punto de referencia doble hace posible generar 2 puntos de referencia distintos.

NOTA ¡No se indica qué punto de referencia está activo!

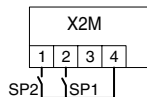


- [7-02] Estado de control del punto de referencia doble: define si el control de punto de referencia doble está activado (1) o desactivado (0).
- [7-03] Segundo punto de referencia en calefacción: especifica la temperatura del segundo punto de referencia en el modo de calefacción.
- [7-04] Segundo punto de referencia de refrigeración: especifica la temperatura del segundo punto de referencia en el modo de refrigeración.

NOTA



- El primer punto de referencia de calefacción/refrigeración es el punto de referencia seleccionado en la interfaz de usuario.
 - En el modo de calefacción, el primer punto de referencia puede ser un valor fijo o dependiente de las condiciones climáticas.
 - En el modo de refrigeración el primer punto de referencia siempre es un valor fijo.
- El segundo punto de referencia de calefacción [7-03] deberá vincularse a los emisores de calor que requieran el punto de referencia más alto en el modo de calefacción. Ejemplo: unidad fancoil
- El segundo punto de referencia de refrigeración [7-04] deberá vincularse a los emisores de calor que requieran el punto de referencia más bajo en el modo de refrigeración. Ejemplo: unidad fancoil.
- El valor real del punto de referencia de calefacción depende del valor seleccionado en el ajuste [7-03].
 - En el caso de [7-03]=1,8~43,2°F (1~24°C), el segundo punto de referencia real será el primer punto de referencia de calefacción aumentado con [7-03] (el máximo es 131°F (55°C)). De esta forma, el segundo punto de referencia de calefacción se vincula al primer punto de referencia de calefacción.
 - En el caso de [7-03]=77~131°F (25~55°C), el segundo punto de referencia de calefacción real será igual a [7-03].
- La selección del segundo punto de referencia o del primer punto de referencia se determina mediante los terminales (X2M: 1, 2, 4). El segundo punto de referencia siempre tiene prioridad sobre el primer punto de referencia.



SP1 Contacto del primer punto de referencia

SP2 Contacto del segundo punto de referencia



Cuando se active el control de punto de referencia doble, la selección de calefacción/refrigeración siempre debe realizarse en la interfaz de usuario.

NOTA



Es responsabilidad del instalador asegurarse de que no ocurran situaciones no deseadas.

Es muy importante que la temperatura del agua en los circuitos cerrados de calefacción de suelo radiante no sea demasiado alta en el modo de calefacción, ni demasiado baja en el modo de refrigeración. No cumplir esta norma puede resultar en daños en la construcción o incomodidad. Por ejemplo, en el modo de refrigeración, se puede formar condensación en el suelo cuando el agua en los circuitos cerrados de calefacción de suelo radiante es demasiado baja (punto de rocío).

[8] Temporizador del modo de calentamiento del agua caliente sanitaria

Sólo disponible en las instalaciones con depósito de agua caliente sanitaria.

El ajuste de campo "temporizador del modo de calentamiento de agua caliente sanitaria" define los tiempos de calentamiento máximo y mínimo del agua caliente sanitaria y el tiempo mínimo entre dos ciclos de calentamiento del agua caliente sanitaria por la acción de la bomba de calor y el tiempo de retardo de la resistencia eléctrica.

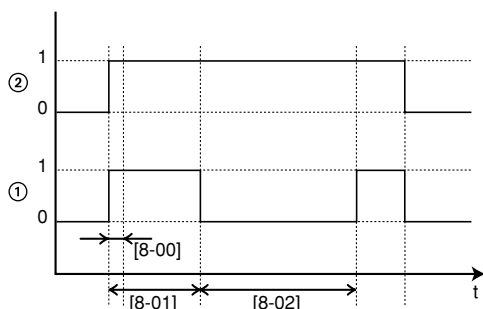
- [8-00] Tiempo mínimo de funcionamiento: especifica el periodo de tiempo mínimo en el que el modo de calefacción del agua caliente sanitaria por la acción de la bomba de calor debe activarse, incluso cuando la temperatura objetivo de agua caliente sanitaria para la bomba de calor (T_{HP OFF}) ya se ha alcanzado.
- [8-01] Tiempo máximo de funcionamiento: especifica el periodo de tiempo máximo en el que el modo de calefacción del agua caliente sanitaria por la acción de la bomba de calor debe activarse, incluso cuando la temperatura objetivo de agua caliente sanitaria para la bomba de calor (T_{HP OFF}) no se ha alcanzado.

El tiempo máximo de funcionamiento real variará automáticamente entre [8-01] y [8-01]+[8-04] dependiendo de la temperatura exterior. Consulte la figura en el capítulo "[8-04]" en la página 33.



Tenga presente que cuando la unidad está configurada para funcionar conectada a un termostato de habitación (consulte "Configuración de la instalación del termostato de la habitación" en la página 24), el tiempo máximo de funcionamiento sólo se tendrá en cuenta cuando el temporizador envíe una señal de demanda de refrigeración o de calefacción. Cuando no exista una señal de demanda de refrigeración o calefacción de la habitación, la bomba de calor seguirá calentando el agua caliente sanitaria hasta que se alcance la "temperatura de apagado de la bomba de calor" (consulte los ajustes de campo [6] on página 30). Cuando no haya instalado un termostato siempre se obedecerá el ajuste del temporizador.

- [8-02] Tiempo anticiclaje: especifica el intervalo mínimo requerido entre dos ciclos de calentamiento del agua caliente sanitaria por la acción de la bomba de calor. El tiempo real de anticiclaje variará automáticamente entre [8-02] y 0 dependiendo de la temperatura exterior. Consulte la figura en el capítulo "[8-04]" en la página 33.



- 1 Calentamiento del agua caliente sanitaria por bomba de calor (1 = activada, 0 = desactivada)
- 2 Señal de demanda de agua caliente para la bomba de calor (1 = demanda, 0 = no hay demanda)
- t Tiempo

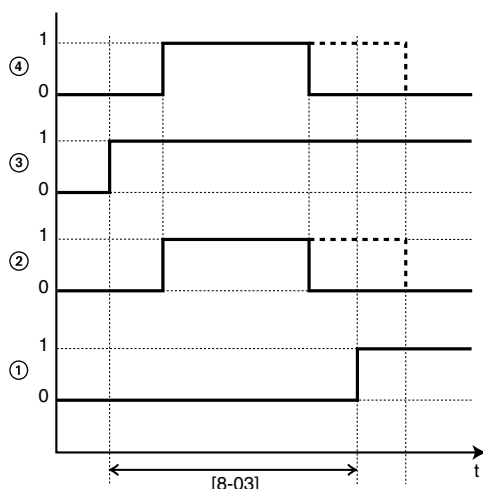


Si la temperatura exterior es superior al ajuste del parámetro [4-02] no se tiene en cuenta el ajuste de los parámetros [8-01] y [8-02] y [8-04].

- [8-03] Tiempo de retardo de la resistencia eléctrica: especifica el tiempo de retardo de arranque del funcionamiento de la resistencia eléctrica cuando el modo de calefacción del agua caliente sanitaria está activado.



- Cuando la bomba de calor está activada en el modo de calefacción de agua sanitaria, el tiempo de retardo de la resistencia eléctrica es [8-03].
- Cuando la bomba de calor no está activada en el modo de calefacción de agua sanitaria, el tiempo de retardo es 20 min.
- El tiempo de retardo comienza a partir de la temperatura de encendido de la resistencia eléctrica ($T_{BH ON}$)



- 1 Funcionamiento de la resistencia eléctrica (1 = activada, 0 = desactivada)
- 2 Calentamiento del agua caliente sanitaria por bomba de calor (1 = activada, 0 = desactivada)
- 3 Señal de demanda de agua caliente para la resistencia eléctrica (1 = demanda, 0 = no hay demanda)
- 4 Señal de demanda de agua caliente para la bomba de calor (1 = demanda, 0 = no hay demanda)
- t Tiempo

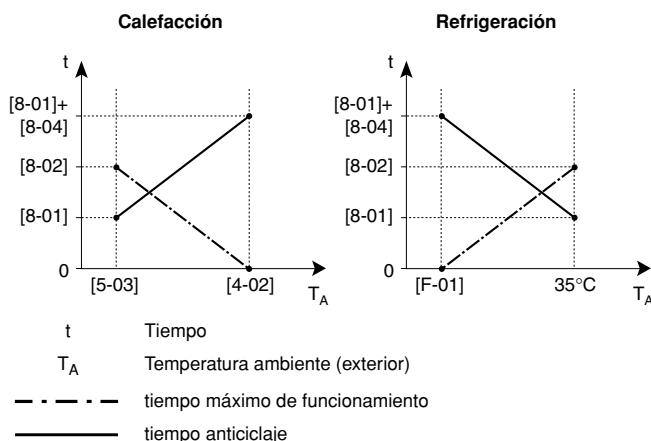


- Adaptando el tiempo de retardo de la resistencia eléctrica en relación al tiempo de funcionamiento máximo es posible obtener un equilibrio opcional entre la eficiencia energética y el tiempo de calentamiento.
- Sin embargo, si el intervalo de retardo del calefactor auxiliar se ajusta demasiado alto puede ser necesario un tiempo considerable hasta que el agua caliente sanitaria alcance su temperatura de referencia tras la petición del modo de agua caliente sanitaria.
- El propósito de [8-03] es retardar la resistencia eléctrica en relación con el tiempo de funcionamiento de la bomba de calor en el modo de calefacción de agua sanitaria.
- El ajuste [8-03] sólo tiene importancia si el ajuste [4-03]=1. El ajuste [4-03]=0/2/3 limita la resistencia eléctrica automáticamente en relación al tiempo de funcionamiento de la bomba de calor en el modo de calefacción del agua sanitaria.
- Procure que [8-03] siempre esté en relación con que el tiempo máximo de funcionamiento [8-01].

Ejemplo: [4-03]=1

	Configuración de ahorro de energía	Configuración de calentamiento rápido (por defecto)
[8-01]	20~95 min	30 min
[8-03]	[8-01] + 20 min	20 min

- [8-04] Tiempo de funcionamiento adicional en [4-02]/[F-01]: especifica el tiempo de funcionamiento adicional en el tiempo de funcionamiento máximo a una temperatura exterior [4-02] o [F-01]. Consulte la siguiente figura.



El máximo beneficio de [8-04] se aplicará si el ajuste [4-03] no es 1.

[9] Rangos de punto de referencia de refrigeración y calefacción

La finalidad de este ajuste de obra es impedir que el usuario seleccione una temperatura incorrecta del agua que sale de la unidad (= demasiado caliente o demasiado fría). Para ello el usuario puede configurar el rango del punto de referencia de la temperatura de calefacción y el rango del punto de referencia de la temperatura de refrigeración.



PRECAUCIÓN

- En instalaciones de calefacción de suelo radiante es importante limitar la temperatura máxima del agua de salida durante el modo de calefacción de acuerdo con las especificaciones de la instalación de calefacción de suelo radiante.
- En instalaciones de refrigeración de suelo radiante es importante limitar la temperatura mínima del agua de salida durante el modo frío (parámetro [9-03] ajustado a 60,8~64,4°F (16~18°C) durante el funcionamiento de refrigeración para impedir la formación de condensación en el suelo.

- [9-00] Límite superior del punto de referencia de calefacción: temperatura máxima del agua de salida para el funcionamiento en modo de calefacción.
- [9-01] Límite inferior del punto de referencia de calefacción: temperatura mínima del agua de salida para el funcionamiento en modo de calefacción.
- [9-02] Límite superior del punto de referencia de refrigeración: temperatura máxima del agua de salida para el funcionamiento en modo de refrigeración.
- [9-03] Límite inferior del punto de referencia de refrigeración: temperatura mínima del agua de salida para el funcionamiento en modo de refrigeración.
- [9-04] Ajuste de sobreimpulso: define el punto máximo que la temperatura del agua puede alcanzar por encima del punto de referencia antes de que el compresor se detenga. Esta función sólo es aplicable en modo calefacción.

[A] Modo de funcionamiento susurrante

Este ajuste de campo permite seleccionar el modo operativo de bajo nivel de ruido deseado. Hay dos modos de bajo ruido: el modo susurrante A y el modo susurrante B.

En el modo susurrante A se da prioridad al hecho de que la unidad exterior funcione a un bajo nivel de ruido en **cualquier** situación. La velocidad del ventilador y del compresor (y su rendimiento) se verán limitados a un determinado porcentaje de la velocidad durante el funcionamiento normal. En determinados casos esto podría tener como consecuencia un bajo rendimiento.

En el modo susurrante B podría anularse el funcionamiento a bajo nivel de ruido cuando se requiera un rendimiento superior. En determinados casos, esto podría tener como consecuencia un funcionamiento a un nivel de ruido más alto de la unidad exterior, con el fin de cumplir con el rendimiento requerido.

- [A-00] Tipo de modo susurrante: define si está seleccionado el modo susurrante A (0) o el modo susurrante B (2).
- [A-01] Parámetro 01: no cambia este ajuste. Deje ajustado el valor por defecto.

NOTA

No utilice unos valores distintos de los que se especifican.



[C] Configuración de la PCB de E/S digital EKR1HB

Modo de prioridad solar

- [C-00] Ajuste de modo de prioridad solar: para obtener información acerca del kit solar EKSOLHW consulte el manual de instalación que se suministra con el kit.

Lógica de salida de alarma

- [C-01] Lógica de salida de alarma: define la lógica de la salida de alarma en la PCB de E/S digital EKR1HB. Si [C-01]=0, la salida de alarma se activará cuando se produzca una situación de alarma (por defecto). Si [C-01]=1, la salida de alarma no se activará cuando se produzca una situación de alarma. Este ajuste de campo permite distinguir entre la detección de una alarma y la detección de un fallo de alimentación a la unidad.

[C-01]	Alarma	No hay alarma	No hay suministro eléctrico a la unidad
0 (defecto)	Salida cerrada	Salida abierta	Salida abierta
1	Salida abierta	Salida cerrada	Salida abierta

Funcionamiento bivalente

Sólo se aplica a instalaciones con calefactor auxiliar (funcionamiento alterno, conexión en paralelo). El propósito de esta función es determinar, en base a la temperatura exterior, qué fuente de calor puede o podrá proporcionar la calefacción de habitación, la unidad interior Daikin o un calefactor auxiliar.

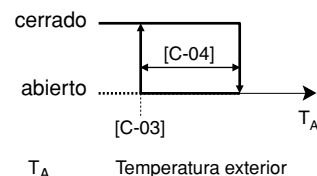
El ajuste de campo "funcionamiento bivalente" sólo se aplica al funcionamiento de calefacción de habitaciones y a la señal de autorización de la caldera auxiliar.

Cuando el "funcionamiento bivalente" está activado, la unidad interior se detendrá automáticamente en función de la calefacción de habitaciones cuando la temperatura exterior caiga por debajo de la "temperatura de encendido bivalente" y la señal de autorización para el calefactor auxiliar se activa.

Cuando el funcionamiento bivalente está desactivado, la calefacción de habitaciones por la acción de la unidad interior es posible a cualquier temperatura exterior (consulte los rangos de funcionamiento) y la señal de autorización para el calefactor auxiliar siempre está desactivada.

- [C-02] Estado del funcionamiento bivalente: define si el funcionamiento bivalente está activado (1) o desactivado (0).
- [C-03] Temperatura de encendido bivalente: define la temperatura exterior por debajo de la cual, la señal de autorización del calefactor auxiliar estará active (cerrada, KCR en EKR1HB) y la calefacción de habitaciones por la acción de la unidad interior se detendrá.
- [C-04] Histerésis bivalente: define la diferencia de temperatura entre la señal de encendido bivalente y la señal de apagado bivalente.

Señal de autorización X1-X2 (EKR1HB)



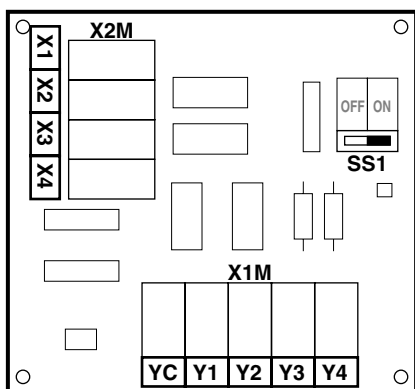
PRECAUCIÓN

Asegúrese de cumplir todas las reglas que se mencionan en la aplicación 5 cuando el funcionamiento bivalente esté activado.

Daikin no se hace responsable de ningún daño ocurrido como consecuencia del incumplimiento de esta instrucción.



- En caso de que la unidad interior sea monofásica, la combinación del ajuste [4-03]=0/2 con el funcionamiento bivalente a baja temperatura puede resultar en una falta de agua caliente sanitaria.
- El funcionamiento bivalente no tiene efecto en el modo de calefacción de agua caliente sanitaria. El agua caliente sanitaria sólo se calienta por la acción de la unidad interior.
- La señal de autorización para el calefactor auxiliar está situada en EKRP1HB (PCB de E/S digital). Cuando está activada el contacto X1, X2 se cierra y se abre cuando está desactivada. Consulte la figura para la ubicación esquemática de este contacto.



[D] Suministro eléctrico a tarifa reducida/Valor de desviación local dependiente de las condiciones climáticas

Suministro eléctrico a tarifa reducida

- [D-00] Apagado de calefactores: define qué calefactores están apagados cuando se recibe la señal a tarifa reducida de la compañía eléctrica. Si [D-01]=1 ó 2 y se recibe la señal de tarifa reducida de la compañía eléctrica, los siguientes dispositivos permanecerán desconectados:

[D-00]	Compresor	Calefactor auxiliar	Resistencia eléctrica
0 (defecto)	Sin forzar	Sin forzar	Sin forzar
1	Sin forzar	Sin forzar	Permitida
2	Sin forzar	Permitida	Sin forzar
3	Sin forzar	Permitida	Permitida



[D-00] los ajustes 1, 2 y 3 sólo tienen relevancia si el suministro eléctrico a tarifa reducida es del tipo en que el suministro es ininterrumpido.

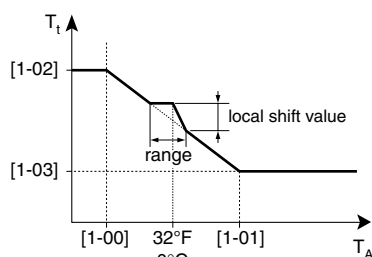
- [D-01] Conexión de la unidad a una fuente de alimentación de tarifa reducida define si la unidad exterior está o no conectada a una conexión de suministro a tarifa reducida. Si [D-01]=0, la unidad está conectada a una conexión de suministro normal (valor por defecto). Si [D-01]=1 ó 2, la unidad está conectada a una conexión de alimentación a tarifa reducida. En este caso, el cableado requiere una instalación específica como la que se explica en el apartado "Conexión a una fuente de alimentación de tarifa reducida" en la página 21. Cuando el parámetro [D-01] = 1 en el momento en que la señal de tarifa reducida es enviada por la compañía eléctrica, ese contacto se abrirá y la unidad se ajustará en modo de apagado forzado⁽¹⁾. Cuando el parámetro [D-01] = 2 en el momento en que la señal de tarifa reducida es enviada por la compañía eléctrica, ese contacto se cerrará y la unidad se ajustará en modo de apagado forzado⁽²⁾.

(1) Cuando la señal se emite de nuevo, el contacto desenergizado se cerrará y la unidad reiniciará el funcionamiento. Por lo tanto, es importante dejar activada la función de reinicio automático. Consulte "[3] Reinicio automático" en la página 28.

Valor de desviación local dependiente de las condiciones climáticas

El ajuste de campo del valor de desviación local dependiente de las condiciones climáticas sólo es importante en caso de que se seleccione el punto de referencia dependiente de las condiciones climáticas (consulte el ajuste de campo "[1] Punto de referencia en función de la temperatura exterior (sólo modo calefacción)" en la página 27).

- [D-03] Valor de desviación local dependiente de las condiciones climáticas: determina el valor de desviación del punto de referencia dependiente de las condiciones climáticas alrededor de una temperatura exterior de 32°F (0°C).



T_t Temperatura pretendida del agua
 T_A Temperatura exterior
 range Rango
 local shift value Valor de desviación local
 [1-00], [1-01], [1-02], [1-03] Ajuste de campo aplicable del punto de referencia dependiente de las condiciones climáticas [1]

[D-03]	Rango de temperatura exterior (T_A)	Valor de desviación local
0	—	—
1	28,4°F~35,6°F -2°C~2°C	2
2		4
3	24,8°F~39,2°F -4°C~4°C	2
4		4

[E] Lectura de información de la unidad

- [E-00] Lectura de la versión del software (ejemplo: 23)
- [E-01] Lectura de la versión de la EEPROM (ejemplo: 23)
- [E-02] Lectura de la identificación de modelo de la unidad (ejemplo: 11)
- [E-03] Lectura de la temperatura del refrigerante líquido
- [E-04] Lectura de la temperatura del agua a la entrada

NOTA



Las lecturas [E-03] y [E-04] no se actualizan continuamente. Las lecturas de temperatura sólo se actualizan después de que se hayan mostrado ya todos los códigos de ajuste (después de haber avanzado hasta alcanzar de nuevo los primeros códigos de ajuste).

(2) Cuando la señal se emite de nuevo, el contacto desenergizado se abrirá y la unidad reiniciará el funcionamiento. Por lo tanto, es importante dejar activada la función de reinicio automático. Consulte "[3] Reinicio automático" en la página 28.

[F] Configuración de opciones

Operación de la bomba

El ajuste de campo de funcionamiento de la bomba se aplica a la lógica de funcionamiento de la bomba cuando el interruptor DIP SS2-3 está apagado.

Cuando el funcionamiento de la bomba esté desactivado, la bomba se detendrá si la temperatura exterior es mayor que el valor establecido por [4-02] o si la temperatura exterior cae por debajo del valor establecido por [F-01]. Cuando el funcionamiento de la bomba está activado, el funcionamiento de la bomba será posible con cualquier temperatura exterior. Consulte "Configuración de funcionamiento de la bomba" en la página 24.

- [F-00] Funcionamiento de la bomba: define si el funcionamiento de la bomba está activado (1) o desactivado (0).

Autorización de refrigeración de habitaciones

- [F-01] Temperatura de autorización de refrigeración de habitaciones: define la temperatura exterior por debajo de la cual la refrigeración de habitaciones se apaga.



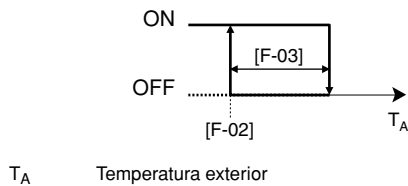
Esta función sólo es válida para EKHBX cuando se selecciona refrigeración de habitaciones.

Control de calefactor de placas inferior

Sólo se aplica a instalaciones con una unidad exterior ERLQ o en caso de que se instale el kit de calefactor de placas inferior.

- [F-02] Temperatura de encendido del calefactor de placas inferior: define la temperatura por debajo de la cual se activará el calefactor de placas inferior por la acción de la unidad interior a fin de evitar la acumulación de hielo en la placa inferior de la unidad exterior a bajas temperaturas exteriores.
- [F-03] Histéresis del calefactor de placas inferior: define la diferencia de temperatura entre la temperatura de encendido del calefactor de placas inferior y la temperatura de apagado del calefactor de placas inferior.

Calefactor de placas inferior



PRECAUCIÓN

El calefactor de placas inferior se controla a través de X14A. Asegúrese de que [F-04] está correctamente ajustado.

Función de X14A

- [F-04] Función de X14A: especifica si la lógica de X14A sigue la señal de salida del modelo de kit solar (EKSOLHW) EKHBH/X_AA/AB (0) o si la lógica de X14A sigue la salida para el calefactor de placas inferior (1).

NOTA



Independientemente del ajuste [F-04], el contacto X3-X4 (EKR11HB) sigue la lógica de la señal de salida para el modelo de kit solar (EKSOLHW). Consulte la siguiente figura para la ubicación esquemática de este contacto.

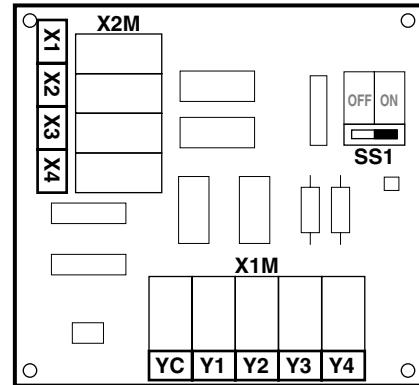


Tabla de configuración personalizada



Los valores de temperatura mostrados en el controlador digital (interfaz de usuario) están en °C.

Los valores de temperatura en °C están entre paréntesis. La conversión de °C a °F es sólo de carácter informativo.

Primer código	Segundo código	Nombre de configuración	Ajuste del instalador a un valor distinto al valor predeterminado				Valor por defecto	Rango	Paso	Unidad
			Fecha	Valor	Fecha	Valor				
0	Nivel de autorización del usuario									
00	Nivel de autorización del usuario						3	2/3	1	—
1	Punto de referencia dependiente de las condiciones climatológicas									
00	Temperatura ambiente baja (Lo_A)						14 (-10)	-4~41 (-20~5)	1,8 (1)	°F (°C)
01	Temperatura ambiente alta (Hi_A)						59 (15)	50~68 (10~20)	1,8 (1)	°F (°C)
02	Punto de referencia a temperatura ambiente baja (Lo_Ti)						104 (40)	77~131 (25~55)	1,8 (1)	°F (°C)
03	Punto de referencia a temperatura ambiente alta (Hi_Ti)						77 (25)	77~131 (25~55)	1,8 (1)	°F (°C)
2	Función de desinfección									
00	Intervalo de funcionamiento						Fri	Mon-Sun, Todos	—	—
01	Estado						1 (ON)	0/1	—	—
02	Hora de inicio						23:00	0:00~23:00	1:00	hora
03	Valor de ajuste (punto de referencia)						158 (70)	104~176 (40~80)	9 (5)	°F (°C)
04	Intervalo						10	5~60	5	min.
3	Reinicio automático									
00	Estado						0 (ON)	0/1	—	—
4	Funcionamiento del calefactor auxiliar/resistencia eléctrica y ajuste de temperatura de apagado de calefacción de la habitación									
00	Estado						1 (ON)	0/1	—	—
01	Prioridad						0 (OFF)	0/1/2	—	—
02	Temperatura de calefacción de habitaciones OFF						95 (35)	57,2~95 (14~35)	1,8 (1)	°F (°C)
03	Función de resistencia eléctrica						3	0/1/2/3	—	—
04	No aplicable						2	Sólo lectura	—	—
5	Temperatura de equilibrio y temperatura de prioridad de calefacción de habitaciones									
00	Estado de temperatura de equilibrio						1 (ON)	0/1	—	—
01	Temperatura de equilibrio						32 (0)	5~95 (-15~35)	1,8 (1)	°F (°C)
02	Estado de prioridad de la calefacción de habitaciones						0 (OFF)	0/1	—	—
03	Temperaturas de prioridad de calefacción de habitaciones						32 (0)	5~68 (-15~20)	1,8 (1)	°F (°C)
04	Corrección del punto de referencia para la temperatura del agua caliente sanitaria						18 (10)	0~36 (0~20)	1,8 (1)	°F (°C)
6	DT (diferencia de temperatura) para el modo de calefacción de agua sanitaria de la bomba de calor									
00	Arranque						9 (5)	3,6~36 (2~20)	1,8 (1)	°F (°C)
01	Parada						3,6 (2)	0~18 (0~10)	1,8 (1)	°F (°C)
02	No aplicable						0	Sólo lectura	—	—

Primer código	Segundo código	Nombre de configuración	Ajuste del instalador a un valor distinto al valor predeterminado				Valor por defecto	Rango	Paso	Unidad
			Fecha	Valor	Fecha	Valor				
7	Diferencia de temperatura para la resistencia eléctrica y el control de punto de referencia doble									
00	Amplitud del escalonamiento del agua caliente sanitaria					0	0~7,2 (0~4)	1,8 (1)	°F (°C)	
01	Valor de histéresis de la resistencia eléctrica					3,6 (2)	3,6~72 (2~40)	1,8 (1)	°F (°C)	
02	Estado del control del punto de referencia doble					0	0/1	—	—	
03	Segundo punto de referencia de calefacción					18 (10)	1,8~43,2 / 77~131 (1~24 / 25~55)	1,8 (1)	°F (°C)	
04	Segundo punto de referencia de refrigeración					44,6 (7)	41~71,6 (5~22)	1,8 (1)	°F (°C)	
8	Temporizador del modo de calentamiento del agua caliente sanitaria									
00	Tiempo mínimo de funcionamiento					5	0~20	1	min.	
01	Tiempo máximo de funcionamiento					30	5~60	5	min.	
02	Tiempo anticiclaje					3	0~10	0,5	hora	
03	Tiempo de retardo de la resistencia eléctrica					50	20~95	5	min.	
04	Tiempo de funcionamiento adicional en [4-02]/ [F-01]					95	0~95	5	min.	
9	Rangos de punto de referencia de refrigeración y calefacción									
00	Límite superior del punto de referencia de calefacción					131 (55)	98,6~131 (37~55)	1,8 (1)	°F (°C)	
01	Límite inferior del punto de referencia de calefacción					77 (25)	59~98,6 (15~37)	1,8 (1)	°F (°C)	
02	Límite superior del punto de referencia de refrigeración					71,6 (22)	64,4~71,6 (18~22)	1,8 (1)	°F (°C)	
03	Límite inferior del punto de referencia de refrigeración					41 (5)	41~64,4 (5~18)	1,8 (1)	°F (°C)	
04	Ajuste de sobreimpulso ^(a)					1,8 (1)	1,8~7,2 (1~4)	1,8 (1)	°F (°C)	
A	Modo de funcionamiento susurrante									
00	Tipo con modo de funcionamiento susurrante					0	0/2	—	—	
01	Parámetro 01					3	—	—	—	
02	No aplicable					1	Sólo lectura	—	—	
03	No aplicable					0	Sólo lectura	—	—	
04	No aplicable					0	Sólo lectura	—	—	
b	No aplicable									
00	No aplicable					0	Sólo lectura	—	—	
01	No aplicable					0	Sólo lectura	—	—	
02	No aplicable					0	Sólo lectura	—	—	
03	No aplicable					0	Sólo lectura	—	—	
04	No aplicable					0	Sólo lectura	—	—	
C	Configuración de la PCB de E/S digital EGRP1HB									
00	Ajuste del modo de prioridad solar					0	0/1	1	—	
01	Lógica de salida de alarma					0	0/1	—	—	
02	Estado del funcionamiento bivalente					0	0/1	—	—	
03	Temperatura de encendido de funcionamiento bivalente					32 (0)	-13~77 (-25~25)	1,8 (1)	°F (°C)	
04	Histéresis bivalente					5,4 (3)	3,6~18 (2~10)	1,8 (1)	°F (°C)	

Primer código	Segundo código	Nombre de configuración	Ajuste del instalador a un valor distinto al valor predeterminado				Valor por defecto	Rango	Paso	Unidad
			Fecha	Valor	Fecha	Valor				
D Suministro eléctrico a tarifa reducida/Valor de desviación local dependiente de las condiciones climáticas										
	00	Apagado de calefactores					0	0/1/2/3	—	—
	01	Conexión de la unidad a una fuente de alimentación de tarifa reducida					0 (OFF)	0/1/2	—	—
	02	No aplicable No cambie el valor por defecto.					0	—	—	—
	03	Valor de desviación local dependiente de las condiciones climáticas					0	0/1/2/3/4	—	—
E Lectura de información de la unidad										
	00	Versión del software					Sólo lectura	—	—	—
	01	Versión de la EEPROM					Sólo lectura	—	—	—
	02	Identificación de modelo de unidad					Sólo lectura	—	—	—
	03	Temperatura del refrigerante líquido					Sólo lectura	—	—	°F (°C)
	04	Temperatura del agua de entrada					Sólo lectura	—	—	°F (°C)
F Configuración de opciones										
	00	Operación de la bomba					0	0/1	—	—
	01	Temperatura de autorización de refrigeración de habitaciones					68 (20)	50~95 (10~35)	1,8 (1)	°F (°C)
	02	Temperatura de encendido del calefactor de placas inferior					37,4 (3)	37,4~50 (3~10)	1,8 (1)	°F (°C)
	03	Histéresis del calefactor de placas inferior					9 (5)	3,6~9 (2~5)	1,8 (1)	°F (°C)
	04	Función de X14A					1	0/1	—	—

(a) Sólo es posible modificar los primeros 3 minutos después del encendido.

PRUEBA DE FUNCIONAMIENTO E INSPECCIÓN FINAL


El instalador está obligado a verificar el correcto funcionamiento de la unidad interior y exterior después de la instalación.

Comprobación final

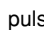
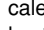
Antes de arrancar la unidad, lea las siguientes recomendaciones:

- Cuando hayan finalizado la instalación y todos los ajustes, cierre todos los paneles frontales de la unidad y vuelva a colocar la tapa de la unidad interior.
- El panel de servicio del cuadro eléctrico sólo puede ser abierto por un electricista autorizado, y únicamente para realizar operaciones de mantenimiento.

Prueba de funcionamiento automática

Cuando la unidad se pone en funcionamiento (pulsando el botón ) por primera vez, el sistema realizará automáticamente una prueba de funcionamiento en modo refrigeración. La prueba de funcionamiento durará unos 3 minutos como máximo, durante los cuales no se proporciona ninguna indicación específica sobre la interfaz de usuario.

Durante la prueba de funcionamiento automática, es importante asegurarse de que la temperatura del agua no descienda por debajo de los 50°F (10°C), lo que podría activar la protección antiescarcha e impedir la finalización de la prueba de funcionamiento.

Si la temperatura del agua cayera por debajo de los 50°F (10°C), pulse el botón  y se mostrará el símbolo . Así se activará el calefactor auxiliar durante la prueba de funcionamiento automática y hará aumentar la temperatura del agua hasta alcanzar unos niveles suficientes.

Si la prueba de funcionamiento automática finaliza con éxito el sistema reanudará el funcionamiento normal automáticamente.

Si las conexiones son erróneas o se produce algún fallo de funcionamiento se mostrará un código de error en la interfaz de usuario. Para solucionar los códigos de error consulte "Códigos de error" en la página 43.

NOTA














Cuando la unidad exterior funciona en modo de recogida de refrigerante (consulte el manual de instalación de la unidad exterior) se borrará la indicación de prueba de funcionamiento automática. La próxima vez que el sistema se ponga en funcionamiento, la prueba de funcionamiento automática se ejecutará de nuevo.

Después de completar la prueba de funcionamiento o el apagado/encendido de suministro eléctrico, el compresor funcionará en el modo seleccionado y continuará durante un tiempo (el punto de referencia en el mando a distancia se anula durante esta operación).

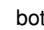

Prueba de funcionamiento (manual)

Si es necesario, el instalador puede realizar una prueba de funcionamiento manual en cualquier momento para comprobar el correcto funcionamiento del modo de refrigeración, calefacción y calentamiento del agua caliente sanitaria.

Procedimiento

- 1 Pulse el botón  4 veces para visualizar el símbolo **TEST**.
- 2 Dependiendo del modelo de la unidad interior será necesario comprobar el funcionamiento en modo calefacción, modo refrigeración o en ambos modos, como se indica a continuación (si no se registra actividad, la interfaz de usuario volverá al modo de funcionamiento normal después de 10 segundos o pulsando el botón  una vez):
 - Para comprobar el funcionamiento en modo calefacción pulse el botón  hasta que aparezca el símbolo . Para activar la prueba de funcionamiento pulse el botón .
 - Para comprobar el funcionamiento en modo refrigeración pulse el botón  hasta que aparezca el símbolo . Para activar la prueba de funcionamiento pulse el botón .
 - Para comprobar el funcionamiento del calentamiento del agua caliente sanitaria pulse el botón . La prueba de funcionamiento arrancará sin pulsar el botón .
- 3 La prueba de funcionamiento finalizará automáticamente en 30 minutos o al alcanzar la temperatura ajustada. La prueba de funcionamiento puede pararse manualmente pulsando el botón  una vez. Si las conexiones son erróneas o se produce algún fallo de funcionamiento se mostrará un código de error en la interfaz de usuario. De lo contrario, la interfaz del usuario volverá al modo de funcionamiento normal.
- 4 Para solucionar los códigos de error consulte "Códigos de error" en la página 43.



Para visualizar el último código de error resuelto, pulse el botón  1 vez. Vuelva a pulsar el botón  4 veces para volver al modo de funcionamiento normal.

NOTA



No será posible realizar la prueba de funcionamiento si el funcionamiento forzado activado desde la unidad exterior se encuentra en curso. Si arrancara el funcionamiento forzado durante una prueba de funcionamiento, la prueba será cancelada.

MANTENIMIENTO Y SERVICIO TÉCNICO

Para asegurar una disponibilidad óptima de la unidad, se deben realizar una serie de comprobaciones e inspecciones en la propia unidad y en la instalación eléctrica de obra a intervalos regulares.

Esta tarea de mantenimiento deberá ser realizada por su instalador local.

Para ejecutar las actividades de mantenimiento tal y como se describe a continuación, sólo es necesario retirar la tapa de la unidad interior. Consulte la "Cómo abrir la unidad interior" en la página 10.

Actividades de mantenimiento



PELIGRO: DESCARGA ELÉCTRICA



- Antes de realizar cualquier reparación o tarea de mantenimiento, desconecte siempre el interruptor automático del panel de alimentación eléctrica, retire los fusibles (o apague los disyuntores) o abra los dispositivos de seguridad de la unidad.
- Asegúrese de cortar la alimentación a la unidad exterior antes de comenzar los trabajos de mantenimiento o reparación
- No toque partes energizadas hasta transcurridos 10 minutos después de cortar el suministro eléctrico a la unidad, pues existe riesgo por alta tensión.
- El cárter del compresor puede seguir funcionando incluso en modo de parada.
- Tenga presente que algunas partes de la caja de componentes eléctricos están extremadamente calientes.
- Asegúrese de no tocar una parte conductora.
- No lave con agua la unidad interior. Podría producirse una descarga eléctrica o un incendio.
- Al retirar el panel de servicio, las partes energizadas quedan al descubierto y pueden tocarse accidentalmente.
Nunca deje la unidad desprovista de vigilancia durante la instalación o durante los trabajos de mantenimiento cuando el panel de servicio esté retirado.



¡Realice todos los trabajos sobre seguro!

Toque la parte metálica con la mano (como, por ejemplo, la válvula de retención) para eliminar la electricidad estática y para proteger la tarjeta de circuito impreso antes de realizar las tareas de servicio.



PELIGRO

No toque las tuberías de agua durante ni inmediatamente después de la operación porque pueden estar calientes. Puede sufrir quemaduras en las manos. Para evitar lesiones, deje que las tuberías vuelvan a su temperatura normal o utilice guantes protectores.



ADVERTENCIA

- No toque las tuberías de refrigerante durante ni inmediatamente después de la operación puesto que pueden estar calientes o frías, dependiendo del estado del refrigerante que fluye en la tuberías, el compresor u otras partes del ciclo de refrigerante. Sus manos pueden sufrir quemaduras por calor o frío si toca las tuberías de refrigerante. Para evitar lesiones, deje que las tuberías vuelvan a su temperatura normal y si tiene que tocarlas, utilice guantes protectores.
- No toque los componentes eléctricos (bomba, calefactor auxiliar, etc.) durante ni inmediatamente después de la operación.
Si toca los componentes internos, sus manos pueden sufrir quemaduras. Para evitar lesiones, deje que los componentes internos vuelvan a su temperatura normal y si tiene que tocarlos, utilice guantes protectores.

Las pruebas descritas deberán realizarse al menos **una vez al año**.

- 1 Presión del agua
Compruebe si la presión del agua se encuentra por encima de los 14,5 psi (1 bar). Añada agua si fuera necesario.
- 2 Filtro de agua
Limpie el filtro de agua.
- 3 Válvula de alivio de presión del agua
Compruebe el buen funcionamiento de la válvula de alivio de presión girando el botón rojo de la válvula a la izquierda:
 - Si no escucha un clic contacte con su distribuidor local.
 - Si el agua sigue saliendo de la unidad, cierre las válvulas de cierre de entrada y de salida y luego póngase en contacto con su distribuidor local.
- 4 Tubo flexible de la válvula de alivio de presión
Compruebe que el tubo flexible de la válvula de alivio de presión esté correctamente posicionado para purgar el agua.
Si está instalado el kit de bandeja de drenaje (opcional), asegúrese de que el tubo flexible de la válvula de alivio de presión esté colocado en la bandeja de drenaje.
- 5 Tapa de aislamiento del recipiente del calefactor auxiliar
Compruebe que la tapa de aislamiento del calefactor auxiliar esté bien ajustada alrededor de la carcasa del calefactor auxiliar.
- 6 Válvula de alivio de presión del depósito de agua caliente sanitaria (suministro independiente)
Sólo disponible en las instalaciones con depósito de agua caliente sanitaria.
Compruebe el buen funcionamiento de la válvula de alivio de presión del depósito de agua caliente sanitaria.
- 7 Resistencia eléctrica del depósito de agua caliente sanitaria
Sólo disponible en las instalaciones con depósito de agua caliente sanitaria.
Se recomienda retirar la acumulación de lodo en la resistencia eléctrica para aumentar su vida útil, sobre todo al utilizar el sistema en regiones en las que el agua es de elevada dureza. Para ello purgue el depósito de agua sanitaria, retire la resistencia eléctrica del depósito de agua caliente sanitaria y sumérgala en un cubo (o recipiente similar) añadiendo un producto para eliminar el lodo durante 24 horas.
- 8 Caja de interruptores de la unidad interior.
 - Realice una atenta inspección visual de la caja de interruptores en busca de defectos obvios, tales como conexiones sueltas o cableado defectuoso.
 - Compruebe el funcionamiento correcto de los contactores K1M, K2M, K3M, K5M (aplicaciones de sólo depósito de agua caliente sanitaria) y K4M utilizando un ohmmímetro. Todos los contactos de estos contactores deberán permanecer en posición abierta.

SOLUCIÓN DE PROBLEMAS

Esta sección proporciona información útil para el diagnóstico y corrección de determinados fallos que se pueden producir en la unidad.

El diagnóstico y corrección de determinados fallos sólo podrá ser realizado por su instalador local.

Instrucciones generales

Antes de iniciar el procedimiento de localización de fallos, inspeccione detenidamente la unidad y observe posibles defectos evidentes tales como conexiones flojas o cableado defectuoso.



PELIGRO

Cuando realice una inspección en la caja de conexiones de la unidad, asegúrese siempre de que el interruptor principal de la unidad está desconectado.

Cuando se haya activado un dispositivo de seguridad, pare la unidad y averigüe la causa de su activación antes de reinicializarlo. No se puenteará ningún dispositivo de seguridad bajo ninguna circunstancia, ni se cambiará su ajuste a un valor distinto del que viene de fábrica. Si no se puede encontrar la causa del problema, póngase en contacto con el distribuidor local.

Si la válvula de alivio de presión no funciona correctamente y debe sustituirse, reconecte siempre el tubo flexible acoplado a la válvula de alivio de presión para evitar que el agua salga de la unidad.

NOTA



Si tiene problemas relacionados con el kit solar opcional para calentar el agua sanitaria consulte el apartado de solución de problemas del manual de instalación que viene con ese kit.



PELIGRO

No toque las tuberías de agua durante ni inmediatamente después de la operación porque pueden estar calientes. Puede sufrir quemaduras en las manos. Para evitar lesiones, deje que las tuberías vuelvan a su temperatura normal o utilice guantes protectores.



ADVERTENCIA

- No toque las tuberías de refrigerante durante ni inmediatamente después de la operación puesto que pueden estar calientes o frías, dependiendo del estado del refrigerante que fluye en la tuberías, el compresor u otras partes del ciclo de refrigerante. Sus manos pueden sufrir quemaduras por calor o frío si toca las tuberías de refrigerante. Para evitar lesiones, deje que las tuberías vuelvan a su temperatura normal y si tiene que tocarlas, utilice guantes protectores.
- No toque los componentes eléctricos (bomba, calefactor auxiliar, etc.) durante ni inmediatamente después de la operación.

Si toca los componentes internos, sus manos pueden sufrir quemaduras. Para evitar lesiones, deje que los componentes internos vuelvan a su temperatura normal y si tiene que tocarlos, utilice guantes protectores.

Síntomas generales

Síntoma 1: La unidad está encendida (LED encendido) pero sin embargo, no calienta o enfría como se espera

CAUSAS POSIBLES	ACCIÓN CORRECTORA
El ajuste de la temperatura no es correcto.	Compruebe el punto de referencia del controlador.
El flujo de agua es demasiado bajo.	<ul style="list-style-type: none"> • Compruebe que todas las válvulas de cierre del circuito de agua estén completamente abiertas. • Compruebe si el filtro de agua está sucio. • Asegúrese de que no quede aire en el sistema (purgue el aire). • Observe el manómetro para asegurarse de que la presión del agua es suficiente. La presión del agua debe ser de >14,5 psi (>1 bar) (el agua está fría) • Compruebe que la bomba está ajustada a la velocidad máxima. • Asegúrese de que el depósito de expansión no está roto. • Compruebe que la resistencia del circuito de agua no es demasiado elevada para la bomba (consulte el apartado "Ajuste de la velocidad de la bomba" en la página 26).
El volumen de agua de la instalación es demasiado bajo.	Asegúrese de que el volumen de agua de la instalación está por encima del valor mínimo requerido (consulte el apartado "Comprobación del volumen de agua y de la presión de carga inicial del depósito de expansión" en la página 16).

Síntoma 2: La unidad se enciende pero el compresor no arranca (calefacción de habitaciones o calentamiento de agua caliente sanitaria)

CAUSAS POSIBLES	ACCIÓN CORRECTORA
La unidad se ve obligada a arrancar fuera de su rango de funcionamiento (la temperatura del agua es demasiado baja).	<p>Si la temperatura del agua es baja el sistema utiliza el calefactor auxiliar para alcanzar primero la temperatura mínima del agua (59°F)(15°C).</p> <ul style="list-style-type: none"> • Compruebe que la alimentación del calefactor auxiliar es correcta. • Compruebe que la protección térmica del calefactor auxiliar esté cerrado. • Compruebe que la protección térmica del calefactor auxiliar esté desactivada. • Compruebe que los contactores del calefactor auxiliar no estén rotos.
El ajuste de suministro a tarifa económica y las conexiones eléctricas no coinciden.	Si [D-01]=1 ó 2, el cableado requiere una instalación específica como la que se ilustra en "Conexión a una fuente de alimentación de tarifa reducida" en la página 21. Otras configuraciones correctamente instaladas son posibles, aunque deben ser específicas para el tipo de suministro de alimentación a tarifa reducida en ese lugar determinado.
La señal a tarifa reducida fue enviada por la compañía eléctrica.	Espere a que vuelva la corriente.

Síntoma 3: La bomba hace ruido (cavitación)

CAUSAS POSIBLES	ACCIÓN CORRECTORA
Hay aire en el sistema.	Purgue el aire.
La presión del agua a la entrada de la bomba es demasiado baja.	<ul style="list-style-type: none"> • Observe el manómetro para asegurarse de que la presión del agua es suficiente. La presión del agua debe ser de >14,5 psi (>1 bar) (el agua está fría) • Asegúrese de que el manómetro no está roto. • Asegúrese de que el depósito de expansión no está roto. • Asegúrese de que el ajuste de la presión de carga inicial del depósito de expansión es correcto (consulte el apartado "Ajuste de la presión de carga inicial del recipiente de expansión" en la página 17).

Síntoma 4: La válvula de alivio de la presión del agua se abre

CAUSAS POSIBLES	ACCIÓN CORRECTORA
El recipiente de expansión está roto.	Sustituya el recipiente de expansión.
El caudal de agua en la instalación es demasiado elevado.	Asegúrese de que el volumen de agua de la instalación está por debajo del valor máximo admisible (consulte el apartado "Comprobación del volumen de agua y de la presión de carga inicial del depósito de expansión" en la página 16).

Síntoma 5: La válvula de alivio de la presión del agua presenta una fuga

CAUSAS POSIBLES	ACCIÓN CORRECTORA
La suciedad bloquea la salida de la válvula de alivio de presión del agua.	<p>Compruebe el buen funcionamiento de la válvula de alivio de presión girando el botón rojo de la válvula a izquierdas:</p> <ul style="list-style-type: none"> • Si no escucha un clic contacte con su distribuidor local. • Si el agua sigue saliendo de la unidad, cierre las válvulas de cierre de entrada y de salida y luego póngase en contacto con su distribuidor local.

Síntoma 6: En la pantalla de la interfaz del usuario aparece la indicación "NOT AVAILABLE" cuando se pulsan determinados botones

CAUSAS POSIBLES	ACCIÓN CORRECTORA
El nivel de autorización actual está ajustado en un nivel que inhabilita el botón pulsado.	Cambie el ajuste "nivel de autorización del usuario" ([0-00], véase "Configuración personalizada" en la página 26).

Síntoma 7: Capacidad de calefacción de habitaciones insuficiente a bajas temperaturas exteriores

CAUSAS POSIBLES	ACCIÓN CORRECTORA
El calefactor auxiliar no está activado.	Asegúrese de que el ajuste "Estado de funcionamiento del calefactor auxiliar" [4-00] está encendido, véase "Configuración personalizada" en la página 26. Compruebe si la protección térmica del calefactor auxiliar ha sido activada (consulte Componentes principales, "Protector térmico del calefactor auxiliar" en la página 11 para obtener información sobre la ubicación del botón de reinicio). Compruebe si el calefactor auxiliar y la resistencia eléctrica están configurados para funcionar en modo simultáneo (ajuste de campo [4-01], véase "Configuración personalizada" en la página 26) Compruebe si la protección térmica del calefactor auxiliar se ha fundido (consulte "Componentes principales", "Fusible térmico del calefactor auxiliar" en la página 11 para obtener información sobre la ubicación del botón de reinicio).
La temperatura de equilibrio del calefactor auxiliar no ha sido configurada correctamente.	Aumente el ajuste de "temperatura de equilibrio" [5-01] para activar el funcionamiento del calefactor auxiliar a elevadas temperaturas exteriores.
Se utiliza demasiada capacidad de la bomba de calor para calentar el agua caliente sanitaria (sólo es aplicable en instalaciones con depósito de agua caliente sanitaria).	Compruebe que los ajustes de campo "temperatura prioritaria de calentamiento de habitaciones" estén configurados correctamente. <ul style="list-style-type: none"> • Asegúrese de que el ajuste de campo "estado prioritario de calentamiento de habitaciones" [5-02] esté activado. • Aumente el ajuste de "temperatura prioritario de calentamiento de habitaciones" [5-03] para activar el funcionamiento de la resistencia eléctrica a elevadas temperaturas exteriores.

Códigos de error

Cuando un dispositivo de seguridad se activa, el LED de la interfaz del usuario se enciende y aparece un código de error.

La siguiente tabla presenta una lista de todos los errores y acciones correctoras.

Reinicie el sistema de seguridad apagando y volviendo a encender la unidad.

Instrucción de apagar la unidad			
Modo de interfaz del usuario (calefacción/refrigeración ☀/❄)	Modo de calefacción del agua sanitaria (🔥)	Pulse el botón 🏠	Pulse el botón 🏠🔌
ON	ON	1 vez	1 vez
ON	OFF	1 vez	—
OFF	ON	—	1 vez
OFF	OFF	—	—

Si este procedimiento para restablecer la seguridad no funciona, póngase en contacto con su distribuidor local.

Código de error	Causa del fallo	Acción correctora
80	Fallo del termistor de temperatura del agua de entrada (termistor de temperatura del agua de entrada roto)	Póngase en contacto con su distribuidor local.
81	Fallo del termistor de temperatura del agua de salida (sensor de temperatura del agua de salida roto)	Póngase en contacto con su distribuidor local.
89	Fallo por congelación del intercambiador de calor por agua (flujo de agua demasiado bajo)	Consulte el código de error 7H.
	Fallo por congelación del intercambiador de calor por agua (falta refrigerante)	Póngase en contacto con su distribuidor local.
7H	Fallo del caudal de agua (caudal de agua demasiado bajo o no circula agua en absoluto; el caudal mínimo de agua es 4,23 galones/min (16 l/min))	<ul style="list-style-type: none"> • Compruebe que todas las válvulas de cierre del circuito de agua estén completamente abiertas. • Compruebe si el filtro de agua está sucio. • Asegúrese de que la unidad funciona dentro de su rango de funcionamiento (consulte "Especificaciones técnicas" en la página 45). • Consulte también "Carga de agua" en la página 17. • Asegúrese de que no quede aire en el sistema (purgue el aire). • Observe el manómetro para asegurarse de que la presión del agua es suficiente. La presión del agua debe ser de >14,5 psi (>1 bar) (el agua está fría) • Compruebe que la bomba está ajustada a la velocidad máxima. • Asegúrese de que el depósito de expansión no está roto. • Compruebe que la resistencia del circuito de agua no es demasiado elevada para la bomba (consulte el apartado "Ajuste de la velocidad de la bomba" en la página 26). • Si se produce este error durante el modo de desescarche (durante el calentamiento de habitaciones o del agua caliente sanitaria), asegúrese de que el cableado de alimentación del calefactor auxiliar esté instalado correctamente y de que los fusibles no se han disparado (o que el disyuntor no esté apagado). • Compruebe que el fusible de la bomba (FU2) no esté fundido.

Código de error	Causa del fallo	Acción correctora
BH	La temperatura del agua de salida de la unidad interior es demasiado alta (>149°F)(>65°C)	<ul style="list-style-type: none"> Asegúrese de que el contactor del calefactor auxiliar eléctrico no está cortocircuitado. Compruebe si la lectura del termistor del agua de salida es correcta.
R1	Tarjeta de circuito impreso de la unidad interior defectuosa	Póngase en contacto con su distribuidor local.
R5	Temperatura del refrigerante demasiado baja (durante el funcionamiento en modo refrigeración) o demasiado alta (durante el funcionamiento en modo calefacción), medido por el R3T	Póngase en contacto con su distribuidor local.
RR	El protector térmico del calefactor auxiliar está abierto	Reajuste la protección térmica pulsando el botón de reinicio (consulte "Componentes principales" en la página 11 para conocer la ubicación del botón de reinicio)
	Compruebe el botón de reinicio de la protección térmica. Si tanto la protección térmica como el controlador se reinician, pero persiste el código de error RR esto significa que la protección térmica del calefactor auxiliar se ha fundido.	Póngase en contacto con su distribuidor local.
CR	La protección térmica de la resistencia eléctrica está abierta (esto sólo es aplicable en instalaciones con depósito de agua caliente sanitaria)	Reinicie la protección térmica
CO	Fallo del interruptor de flujo (el interruptor de flujo permanece cerrado mientras la bomba está detenida)	Compruebe que el interruptor de flotador no está atascado por la suciedad.
C4	Fallo del termistor del intercambiador de calor (el sensor de temperatura del intercambiador de calor está roto)	Póngase en contacto con su distribuidor local.
E1	Tarjeta de circuito impreso de la unidad exterior defectuosa	Póngase en contacto con su distribuidor local.
E3	Alta presión anómala	Asegúrese de que la unidad funciona dentro de su rango de funcionamiento (consulte el apartado "Especificaciones técnicas" en la página 45). Póngase en contacto con su distribuidor local.
E4	Actuación del sensor de baja presión	Asegúrese de que la unidad funciona dentro de su rango de funcionamiento (consulte el apartado "Especificaciones técnicas" en la página 45). Póngase en contacto con su distribuidor local.
E5	Activación por sobrecarga del compresor	Asegúrese de que la unidad funciona dentro de su rango de funcionamiento (consulte el apartado "Especificaciones técnicas" en la página 45). Póngase en contacto con su distribuidor local.
E7	Fallo del dispositivo de bloqueo del ventilador (el ventilador está bloqueado)	Compruebe si el ventilador no está obstruido por la suciedad. Si el ventilador no está atascado, póngase en contacto con el distribuidor local.
E9	Fallo de funcionamiento de la válvula de expansión electrónica	Póngase en contacto con su distribuidor local.
EC	Temperatura del agua caliente sanitaria demasiado alta (>192,2°F)(>89°C)	<ul style="list-style-type: none"> Asegúrese de que el contactor de la resistencia eléctrica no está cortocircuitado. Compruebe si la lectura del termistor del agua caliente sanitaria es correcta.
F3	Temperatura de descarga demasiado alta (p.ej. debido al bloqueo del serpentín exterior)	Limpie el serpentín exterior. Si el serpentín está limpio, póngase en contacto con el distribuidor local.

Código de error	Causa del fallo	Acción correctora
H3	Fallo de funcionamiento del presostato de alta	Póngase en contacto con su distribuidor local.
H3	Fallo del termistor de temperatura exterior (el termistor de temperatura está roto)	Póngase en contacto con su distribuidor local.
HC	Fallo del termistor del depósito de agua caliente sanitaria	Póngase en contacto con su distribuidor local.
J1	Fallo de funcionamiento del sensor de presión	Póngase en contacto con su distribuidor local.
J3	Fallo del termistor de la tubería de descarga	Póngase en contacto con su distribuidor local.
J5	Fallo del termistor de la tubería de aspiración de la unidad exterior	Póngase en contacto con su distribuidor local.
J6	Fallo de detección de escarcha del termistor del serpentín por aire	Póngase en contacto con su distribuidor local.
J7	Fallo de temperatura media del termistor del serpentín por aire	Póngase en contacto con su distribuidor local.
J8	Fallo del termistor de la tubería de líquido de la unidad exterior	Póngase en contacto con su distribuidor local.
L4	Fallo del componente eléctrico	Póngase en contacto con su distribuidor local.
L5	Fallo del componente eléctrico	Póngase en contacto con su distribuidor local.
L8	Fallo del componente eléctrico	Póngase en contacto con su distribuidor local.
L9	Fallo del componente eléctrico	Póngase en contacto con su distribuidor local.
LC	Fallo del componente eléctrico	Póngase en contacto con su distribuidor local.
P1	Fallo de la tarjeta de circuito impreso	Póngase en contacto con su distribuidor local.
P4	Fallo del componente eléctrico	Póngase en contacto con su distribuidor local.
PJ	Fallo del ajuste de capacidad	Póngase en contacto con su distribuidor local.
U0	Fallo del refrigerante (debido a fugas de refrigerante)	Póngase en contacto con su distribuidor local.
U2	Fallo de la tensión del circuito principal	Póngase en contacto con su distribuidor local.
U4	Fallo de comunicación	Póngase en contacto con su distribuidor local.
U5	Fallo de comunicación	Póngase en contacto con su distribuidor local.
U7	Fallo de comunicación	Póngase en contacto con su distribuidor local.
UR	Fallo de comunicación	Póngase en contacto con su distribuidor local.

ESPECIFICACIONES TÉCNICAS

Generalidades

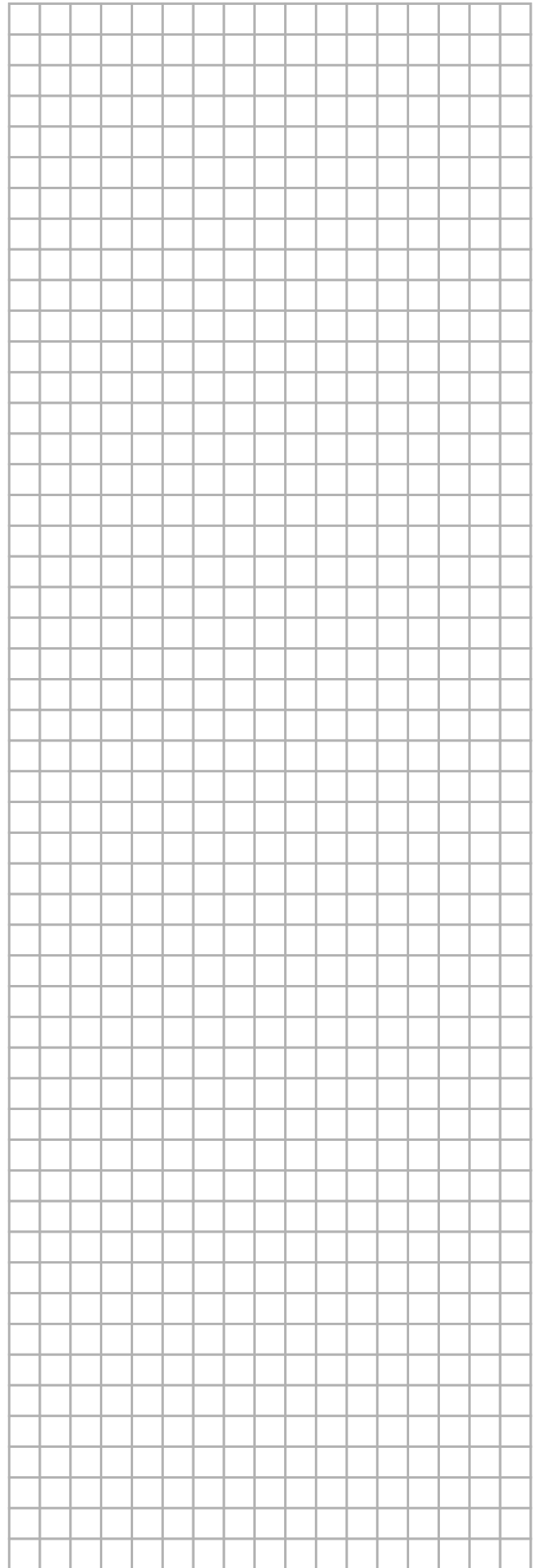
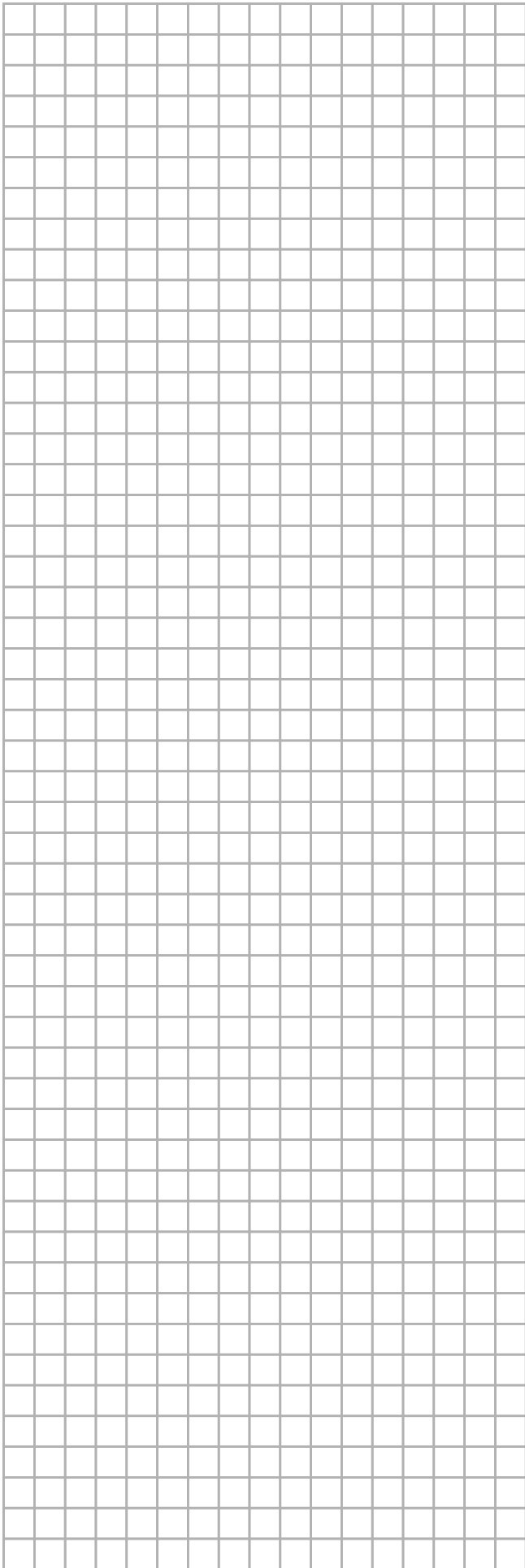
		Modelos de calefacción/refrigeración (EKHBX)	Modelos de sólo calefacción (EKHBH)
Capacidad nominal			
• frío		Consulte los datos técnicos	
• calefacción		Consulte los datos técnicos	
Dimensiones A x A x L	(mm)	922 x 502 x 361	922 x 502 x 361
	(pulgadas)	36,3 x 19,8 x 14,2	36,3 x 19,8 x 14,2
Peso			
• peso de la máquina	(kg)	55	55
	(lbs)	123	123
• peso de funcionamiento	(kg)	69	69
	(lbs)	152	152
Conexiones			
• entrada/salida de agua		1-1/4" MBSP ^(a)	1-1/4" MBSP ^(a)
• drenaje de agua		boquilla de la manguera	boquilla de la manguera
• lado de líquido refrigerante		Ø3/8 pulgadas (Ø9,5 mm)	Ø3/8 pulgadas (Ø9,5 mm)
• lado de gas refrigerante		Ø5/8 pulgadas (Ø15,9 mm)	Ø5/8 pulgadas (Ø15,9 mm)
Recipiente de expansión			
• volumen	(l)	10	10
	(galones)	2,6	2,6
• máxima presión de trabajo (MWP)	(bar)	3	3
	(psi)	43,5	43,5
Bomba			
• tipo		agua enfriada	agua enfriada
• nivel de velocidad		3	3
Nivel de presión acústica		Consulte las especificaciones técnicas	Consulte las especificaciones técnicas
Volumen de agua interno	(l)	5,5	5,5
	(galones)	1,45	1,45
Circuito de agua de la válvula de alivio de presión	(bar)	3	3
	(psi)	43,5	43,5
Rango de funcionamiento, lado del agua			
• calefacción	(°F)	+59~+131	+59~+131
	(°C)	+15~+55	+15~+55
• refrigeración	(°F)	+41~+71,6	—
	(°C)	+5~+22	—
Rango de funcionamiento, lado del aire			
• calefacción	(°F)	-4~+95	-4~+95
	(°C)	-20~+35	-20~+35
• refrigeración	(°F)	+50~+114,8	—
	(°C)	+10~+46	—
• agua caliente sanitaria mediante bomba de calor	(°F)	-4~+95	-4~+95
	(°C)	-20~+35	-20~+35

(a) MBSP = Male British Standard Pipe (tubo macho BS)

Especificaciones eléctricas

		Modelos de calefacción/refrigeración (EKHBX)	Modelos de sólo calefacción (EKHBH)
Unidad estándar (alimentación a través de la unidad exterior)			
• alimentación		230 V 50 Hz 1P	
Calefactor auxiliar			
• alimentación		Consulte "Conexión de la alimentación del calefactor auxiliar" en la página 20	
• corriente máxima de funcionamiento		Consulte "Conexión de la alimentación del calefactor auxiliar" en la página 20	

NOTES





4PW54216-1 00000005

Copyright © Daikin

DAIKIN AIR CONDITIONING AMERICAS

1645 Wallace Drive, Suite 110
Carrollton, TX 75006

DAIKIN EUROPE N.V.

Zandvoordestraat 300, B-8400 Oostende, Belgium



4PW54216-1